

ax12



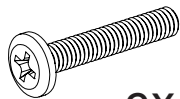
ix2



bx12



jx1



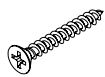
cx4



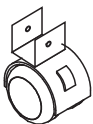
kx1



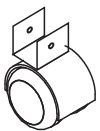
dx4



ex8



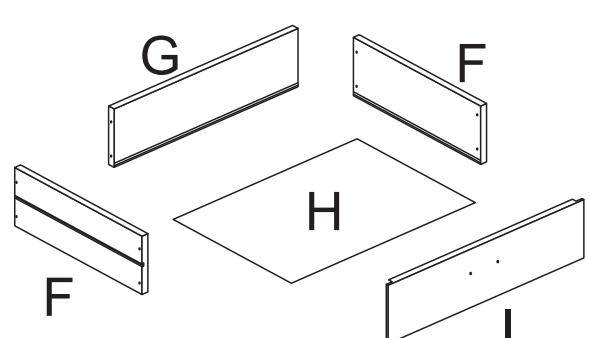
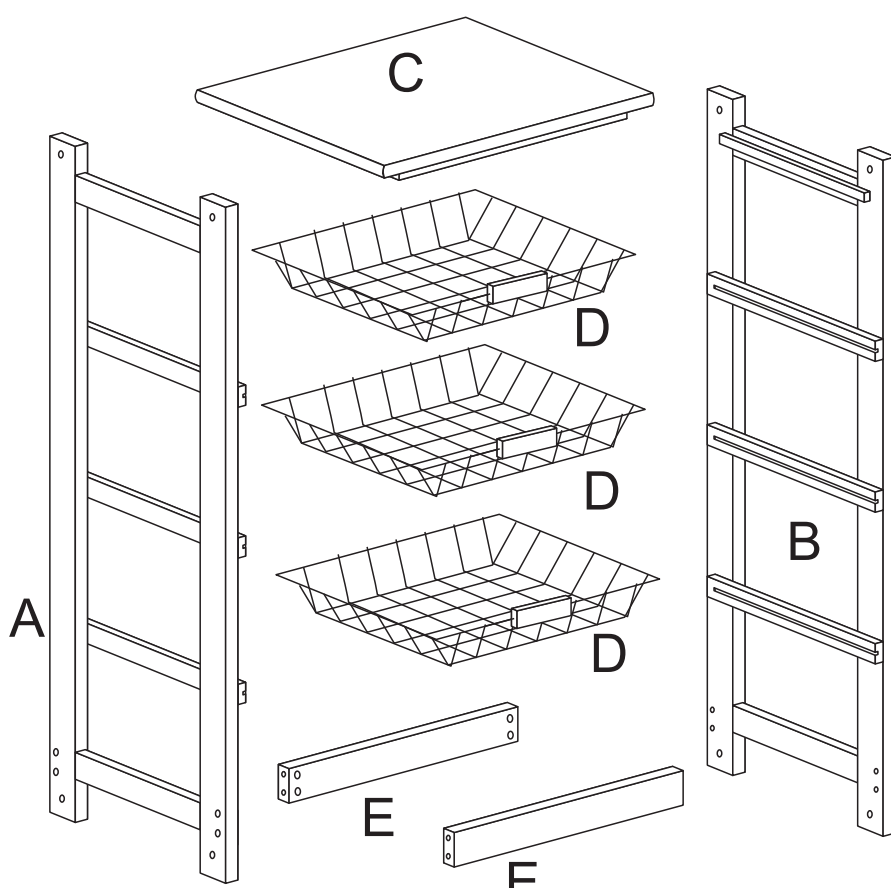
fx2



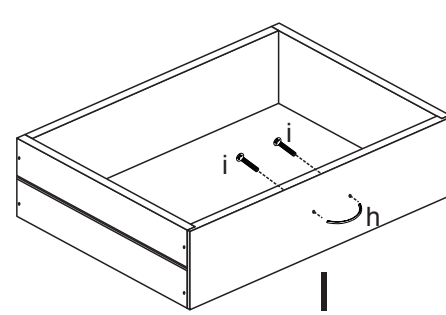
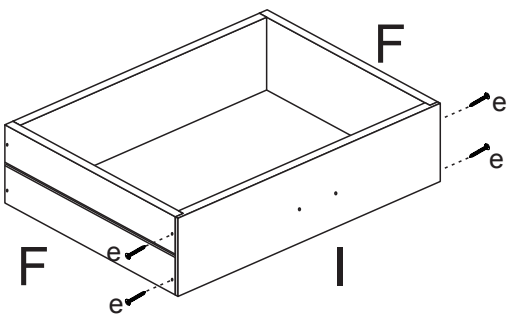
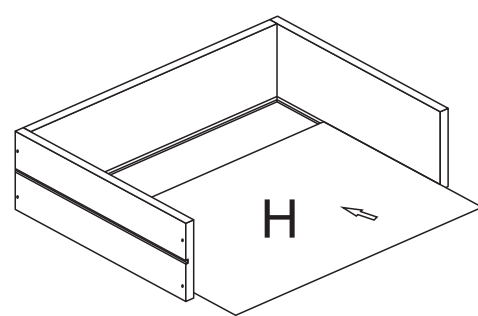
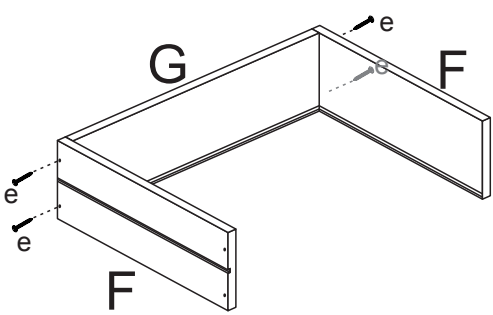
gx2



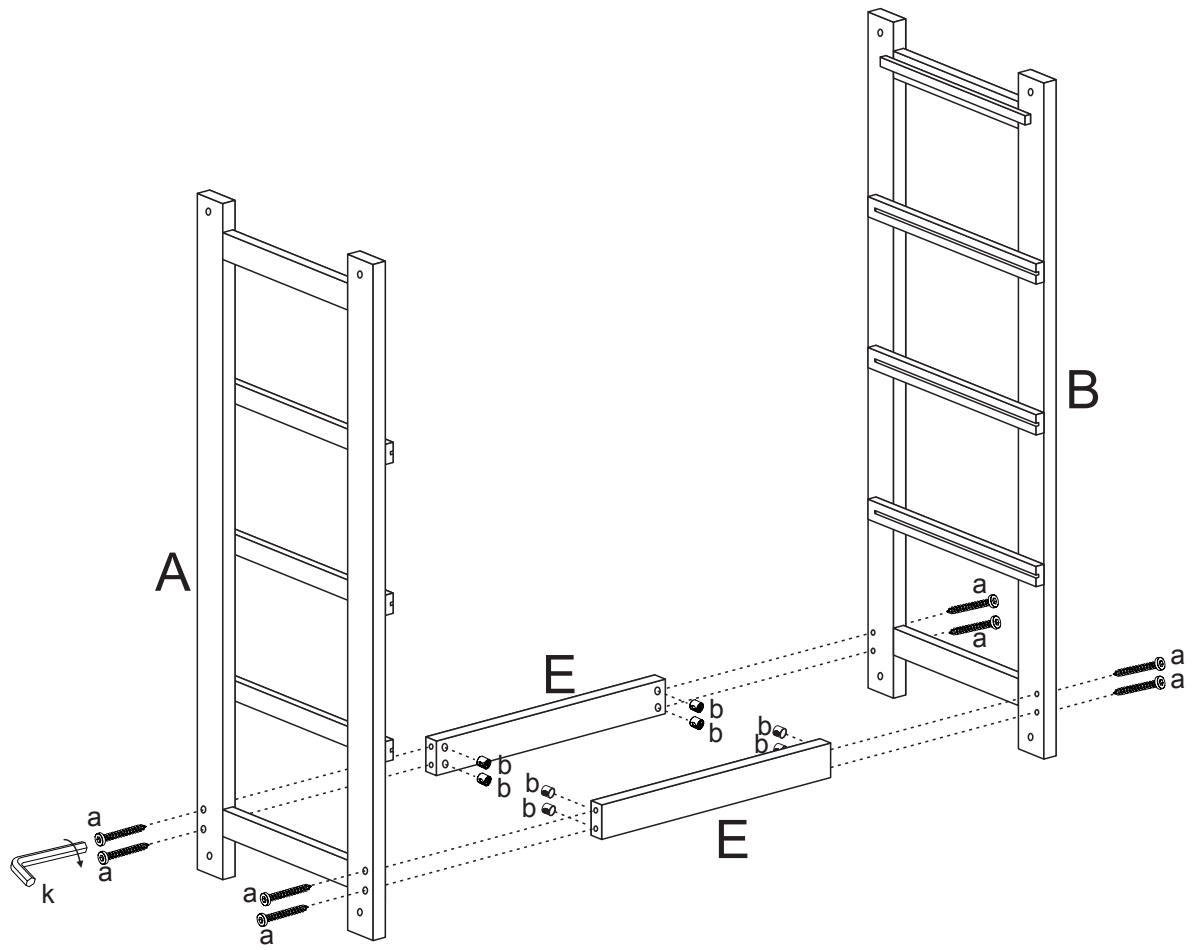
hx1



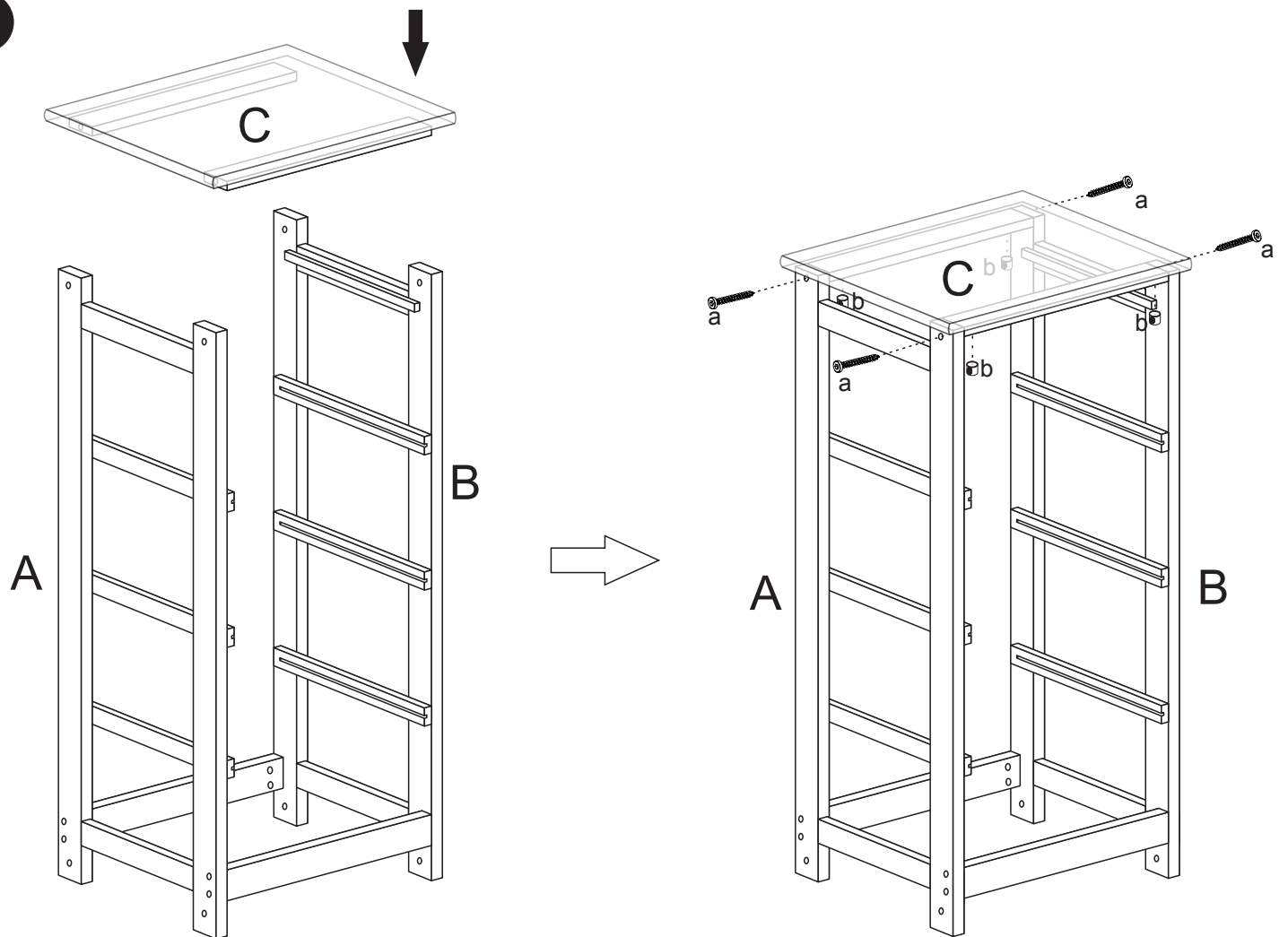
1



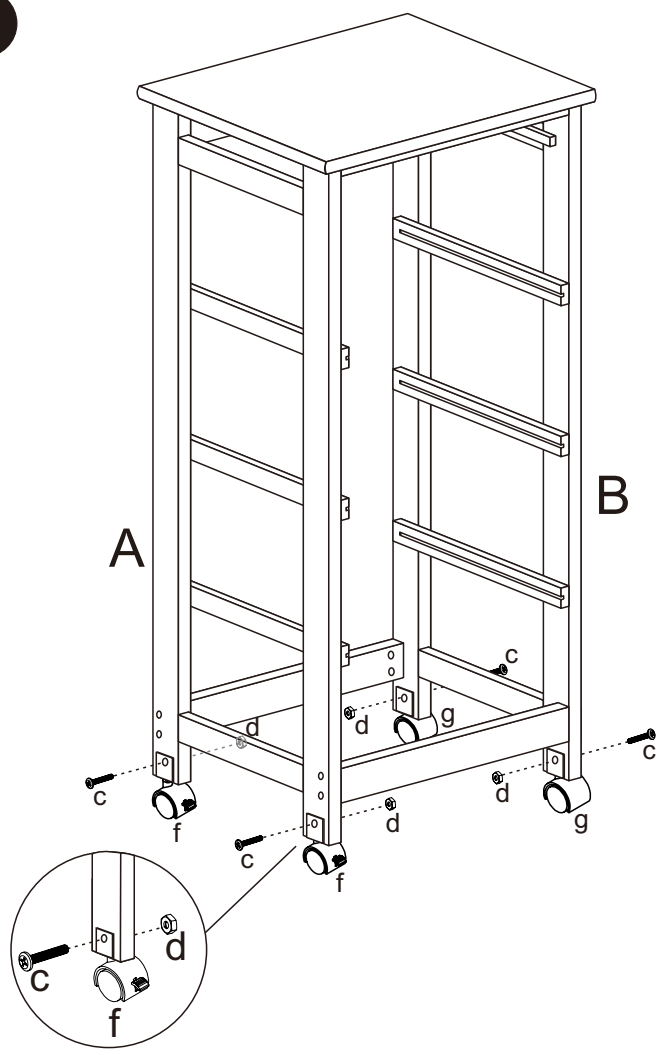
2



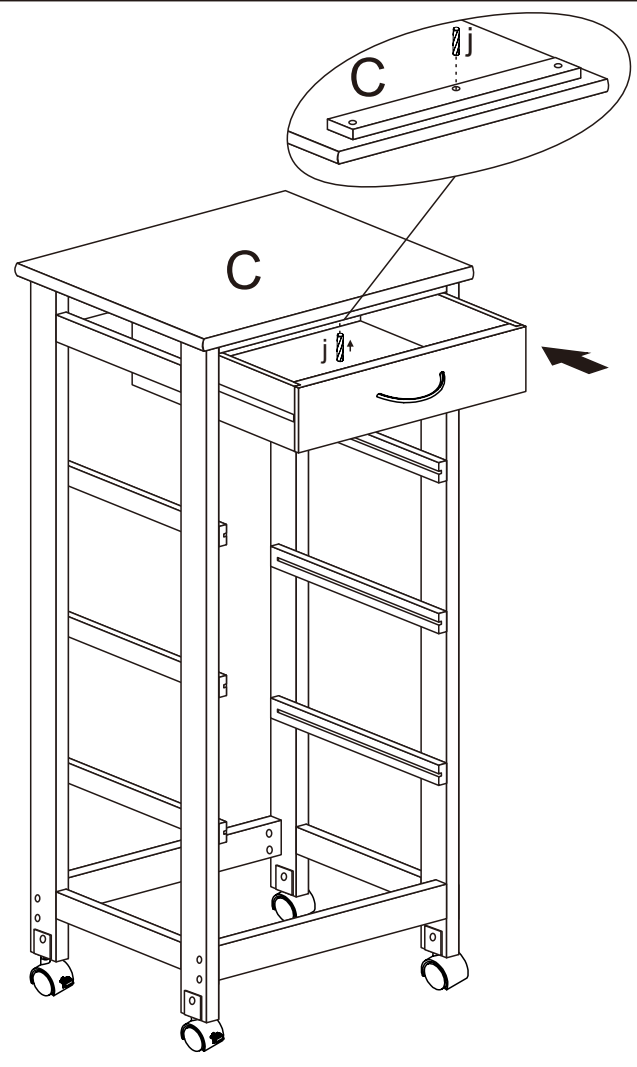
3



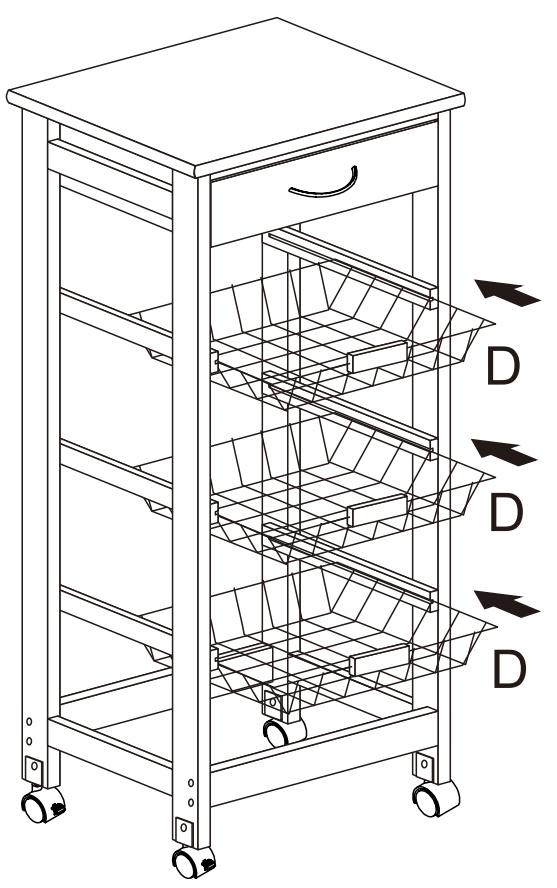
4



5



6



7

