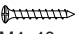
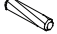













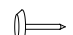

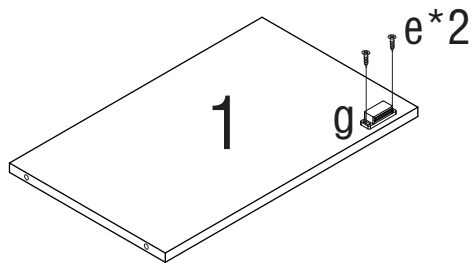
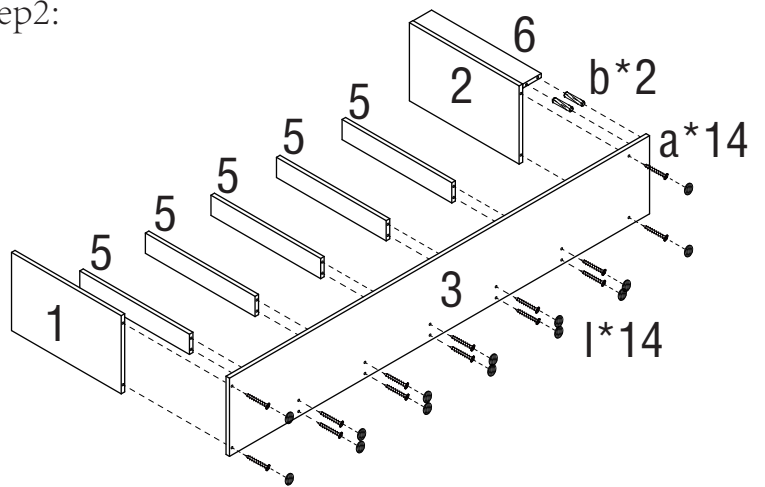


| | | | |
|---|--|--|--|
|  M4x40mm |  b |  M3x12mm |  d |
| a 30PCS | 4PCS | c 2PCS | 1PC |
|  M3x14mm |  f |  g |  h |
| e 2PCS | 2PCS | 1PC | 1PC |
|  M3x10mm |  M4x14mm |  k |  l |
| i 2PCS | 18PCS | 3PCS | 28PCS |
|  m |  n |  o |  p |
| 9PCS | 26PCS | 2PCS | 4PCS |
|  M4x12mm | | | |
| q 2PCS | | | |

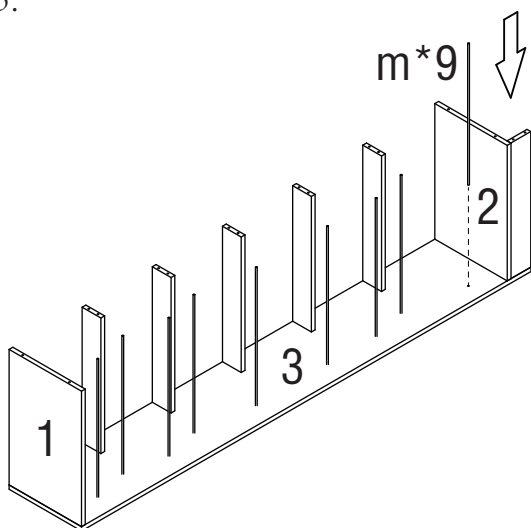
step1:



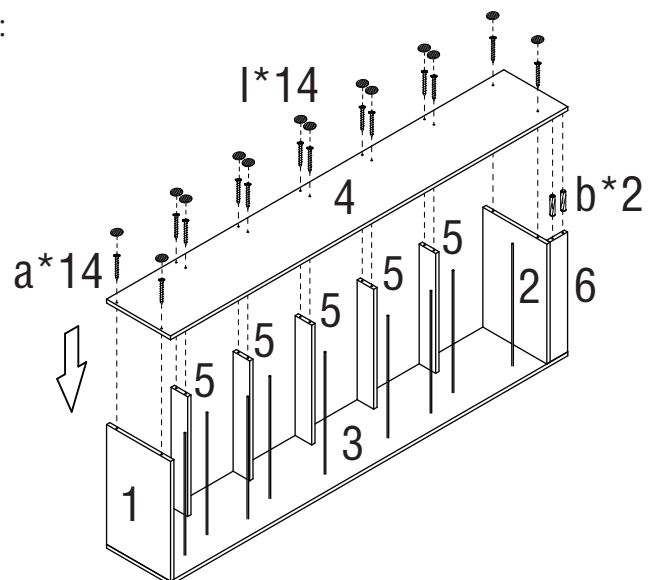
step2:



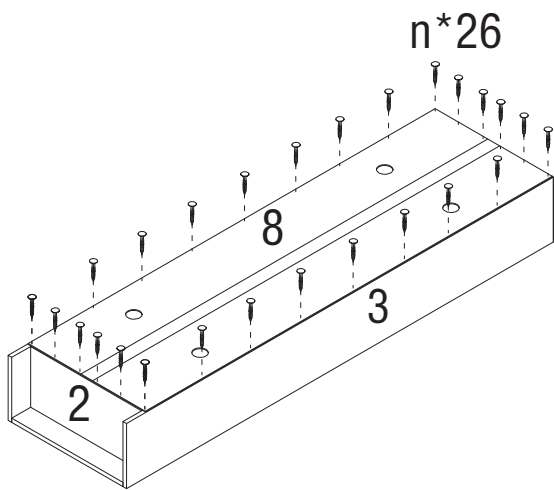
step3:



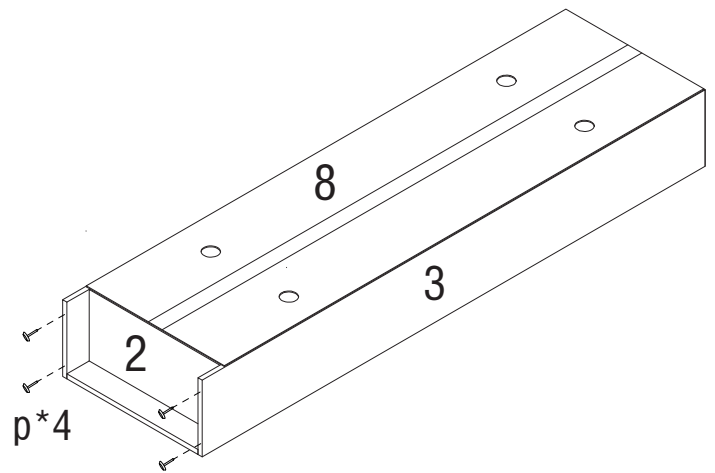
step4:



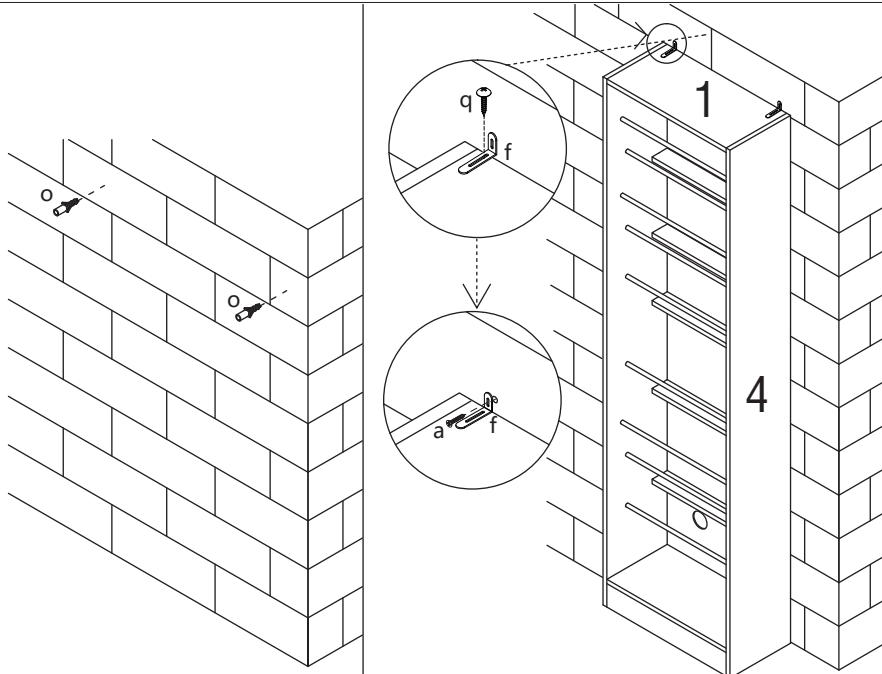
step5:



step6:



step7:



step8:

