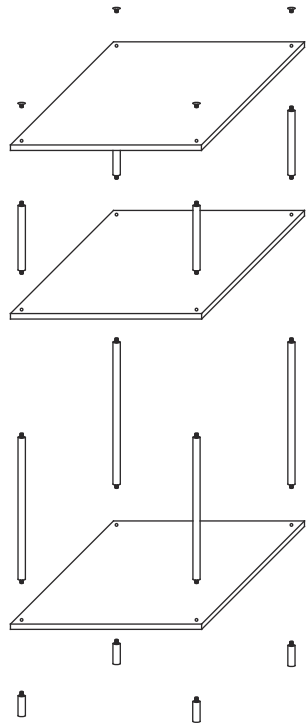
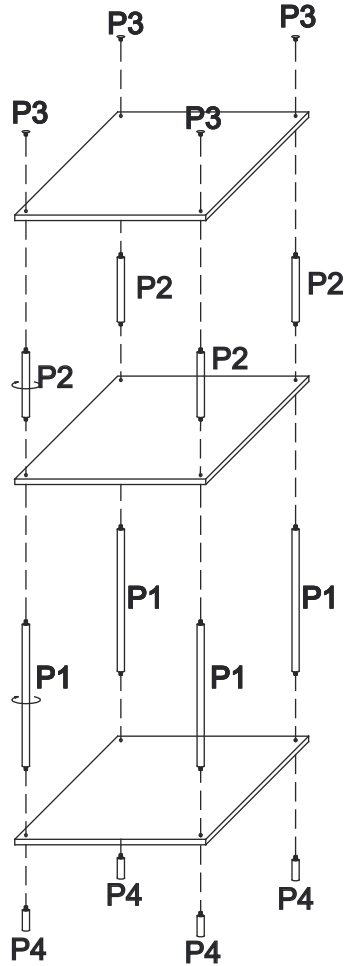


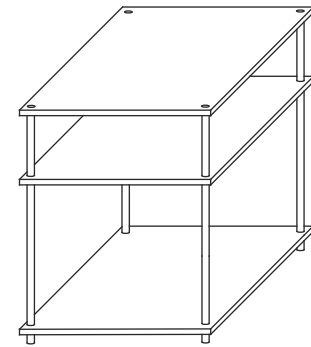
# ASSEMBLY INSTRUCTIONS


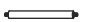




1



2



P1		Φ35x340mm	4 PCS
P2		Φ35x160mm	4 PCS
P3			4 PCS
P4		Φ35x40mm	4 PCS