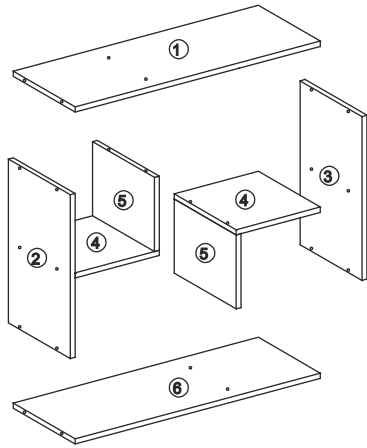
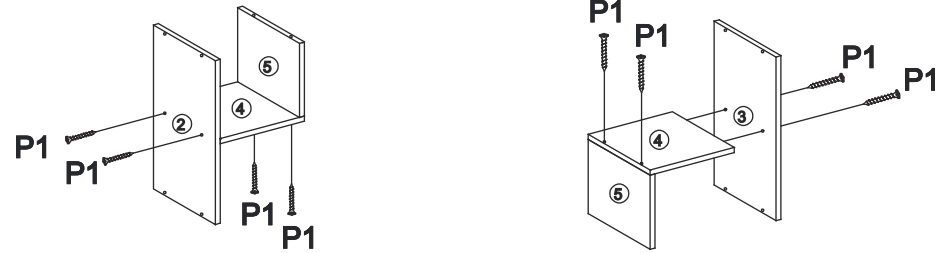


ASSEMBLING INSTRUCTIONS

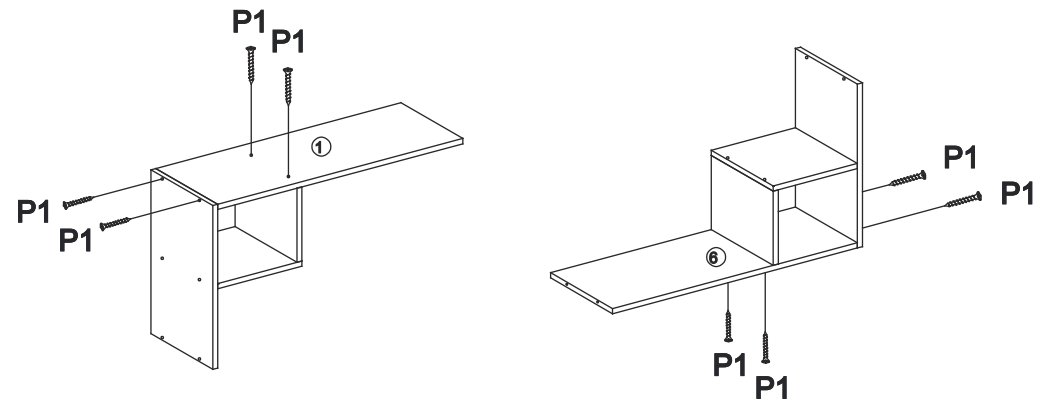


1

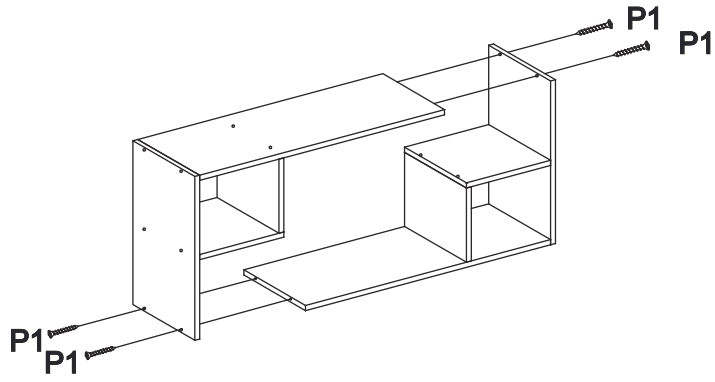


2

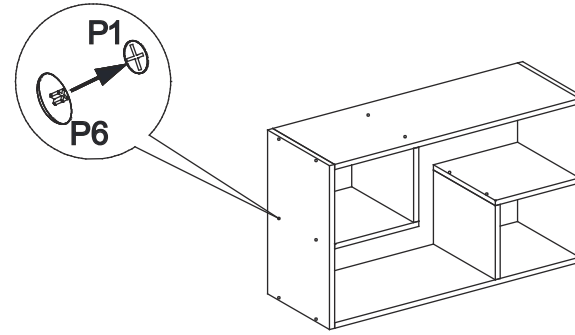
P1		M4x35mm	20 PCS
P2		M3x14mm	8 PCS
P3		M4x30mm	4 PCS
P4			4 PCS
P5			4 PCS
P6			16 PCS



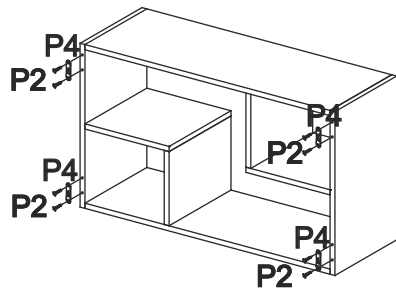
3



4



5



6

