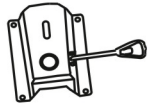


# ASSEMBLY INSTRUCTION

Ax1



Gx1



Bx1



Hx5



Cx2

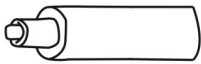


Ix4



M6x20mm

Dx1



Jx8



M6x25mm

Ex1

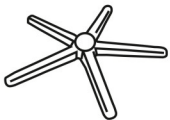


Kx1



M6

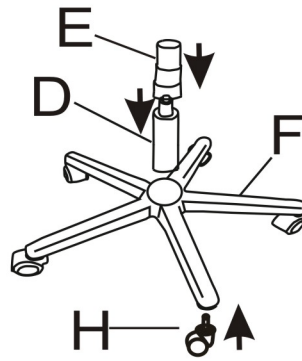
Fx1



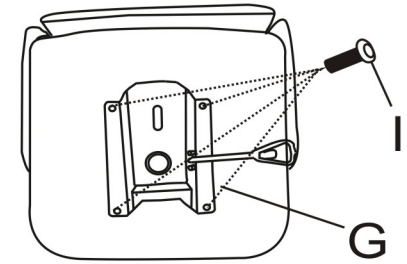
Lx8



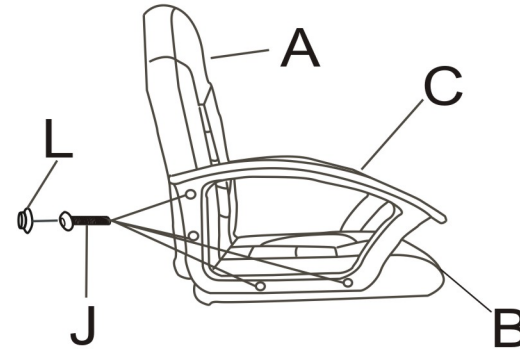
①



②



③



④



⑤

