

ASSEMBLING INSTRUCTION

1 X2PCS



2 X2PCS



3 X1PC



A X8PCS



B X 14 PCS



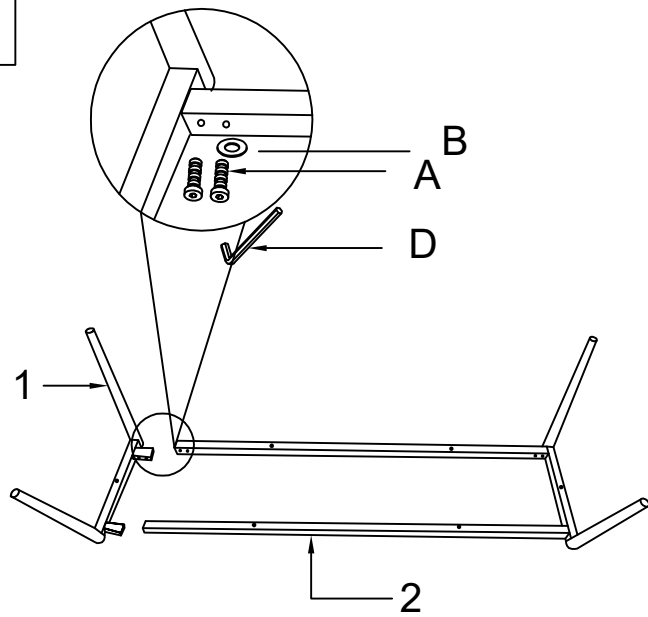
C X6PCS



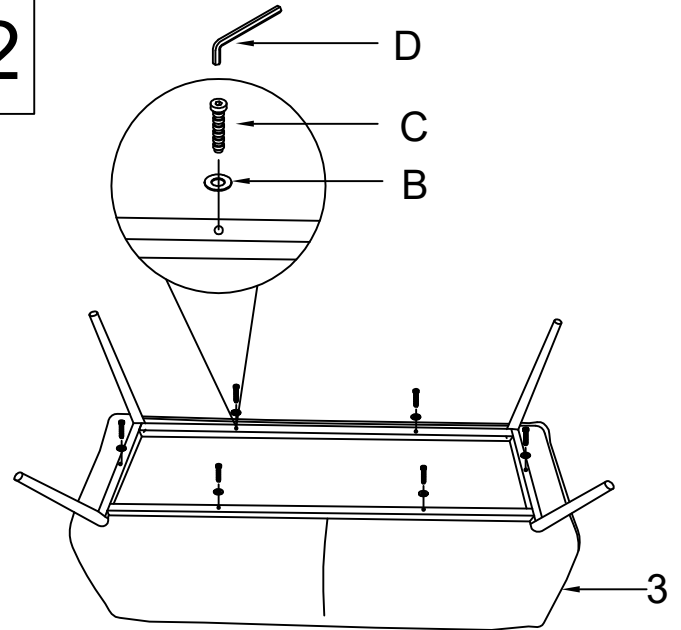
D X1PC



1



2



3

