



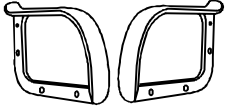



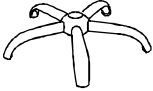


# Assembly Instruction

Ax1 	Gx5 
Bx1 	Hx12  6*20mm
Cx2(L/R) 	Ix8 
Dx1 	Jx1 
Ex1 	
Fx1 