

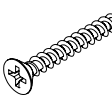


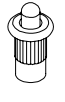
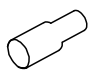

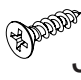

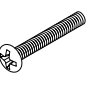

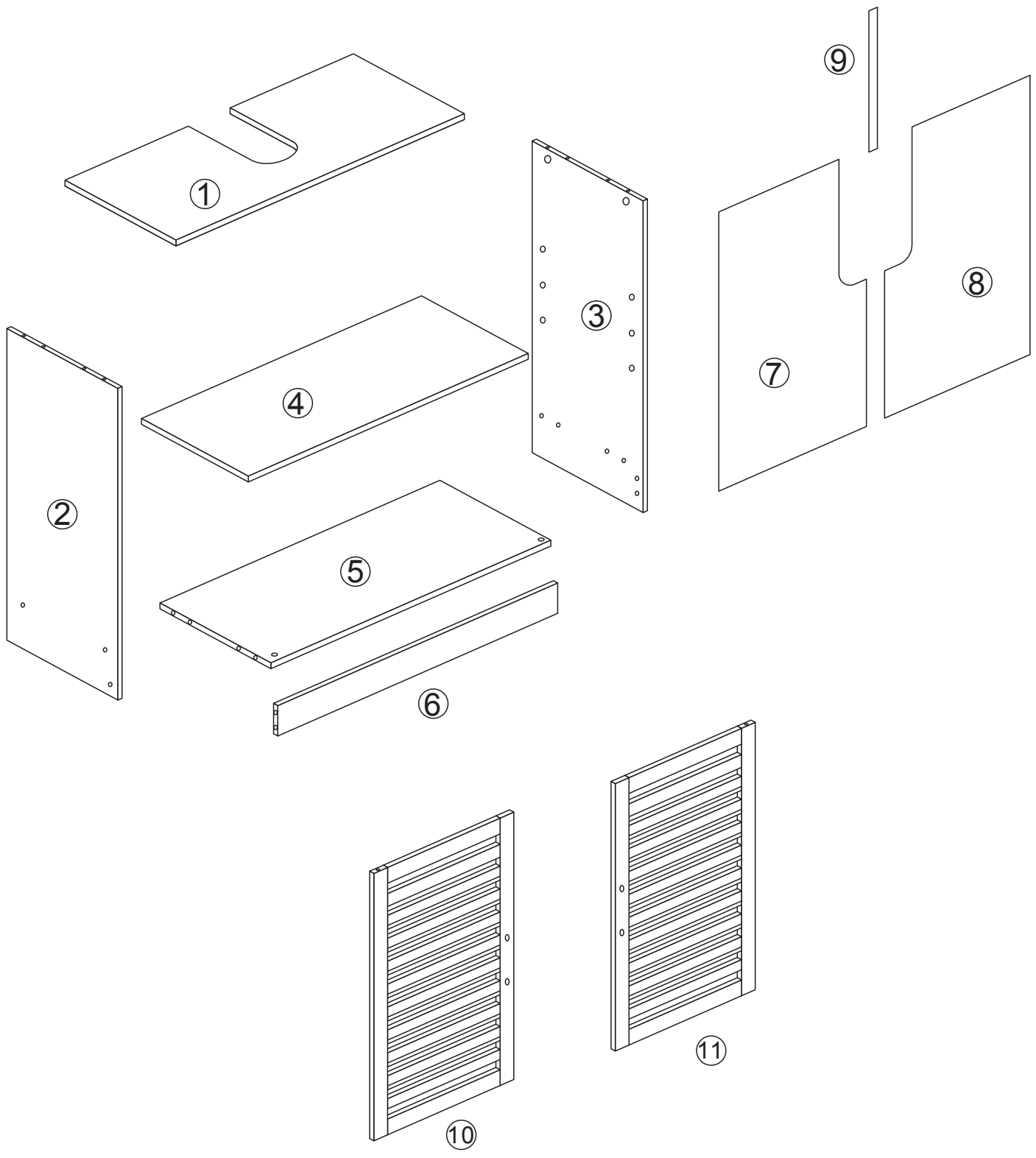
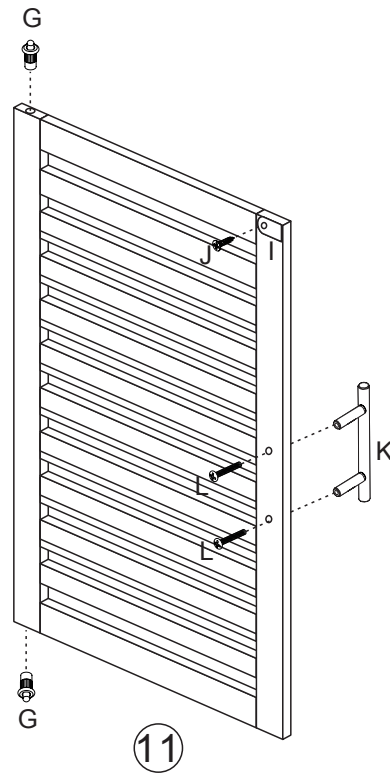
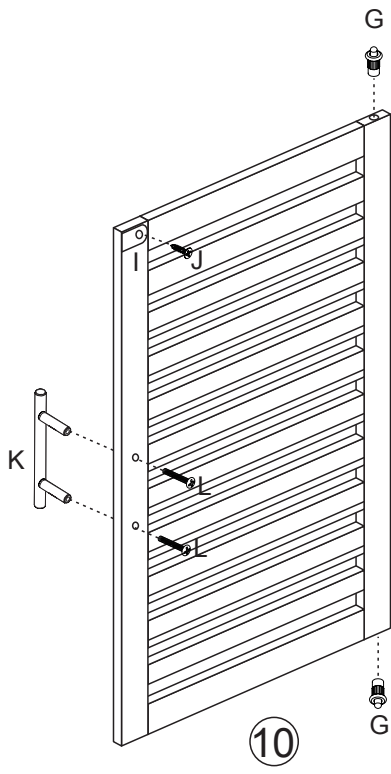
 Ax4	 Bx4	 Cx10	 Dx6	 Ex2	 Fx1	 Gx4
 Hx4	 Ix2	 Jx2	 Kx2	 Lx4	 Mx20	



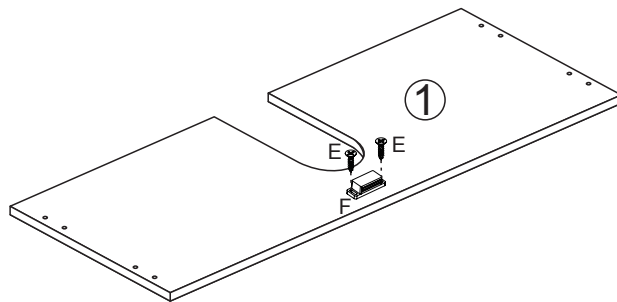
1



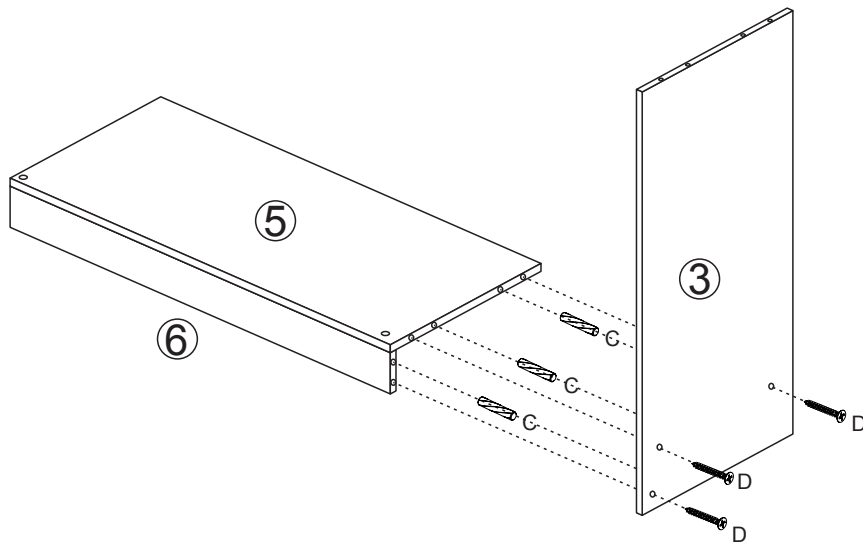
10

11

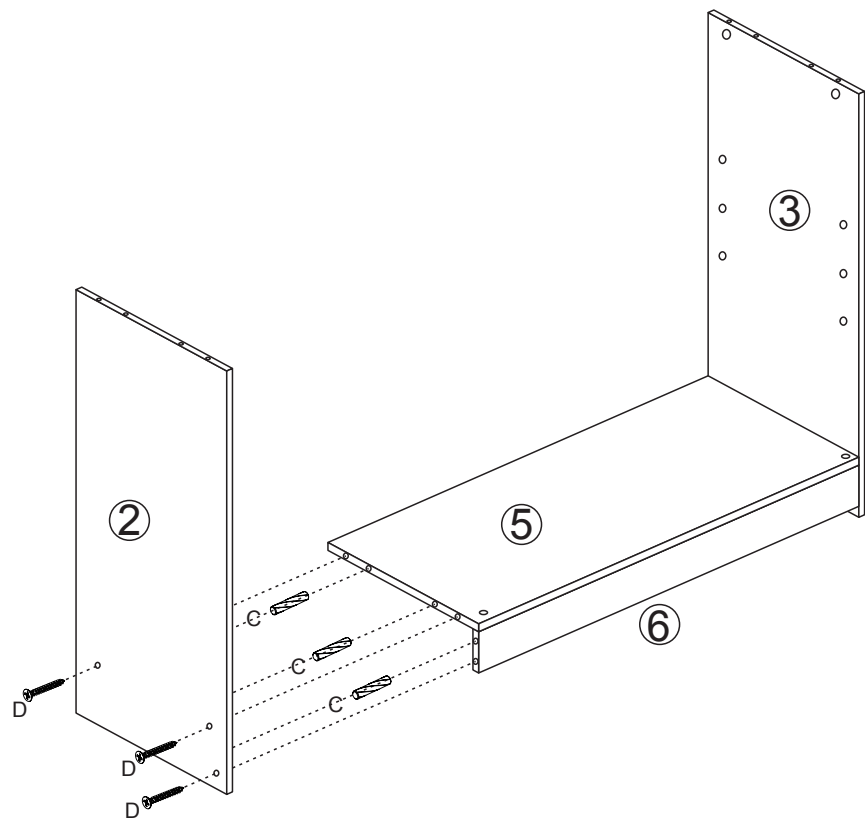
2



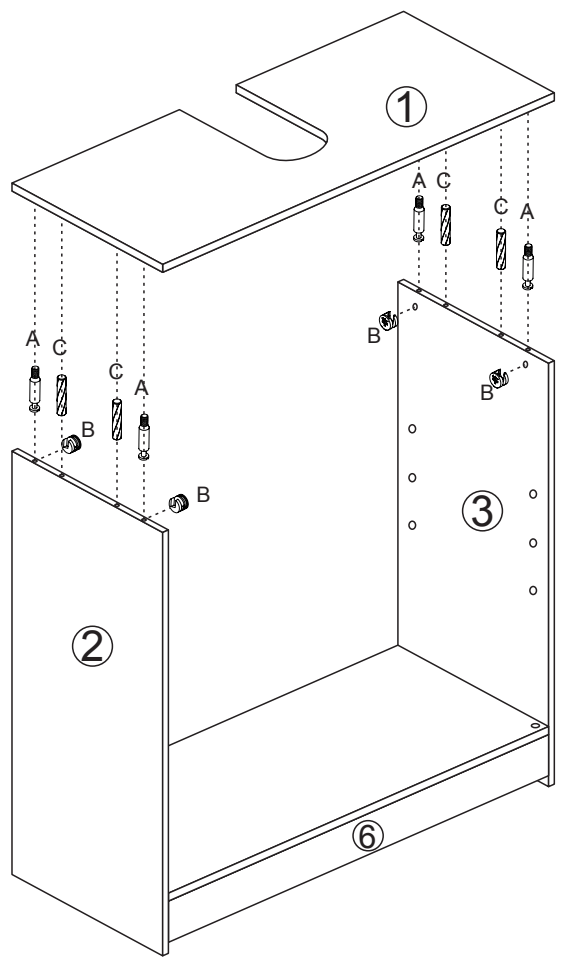
3



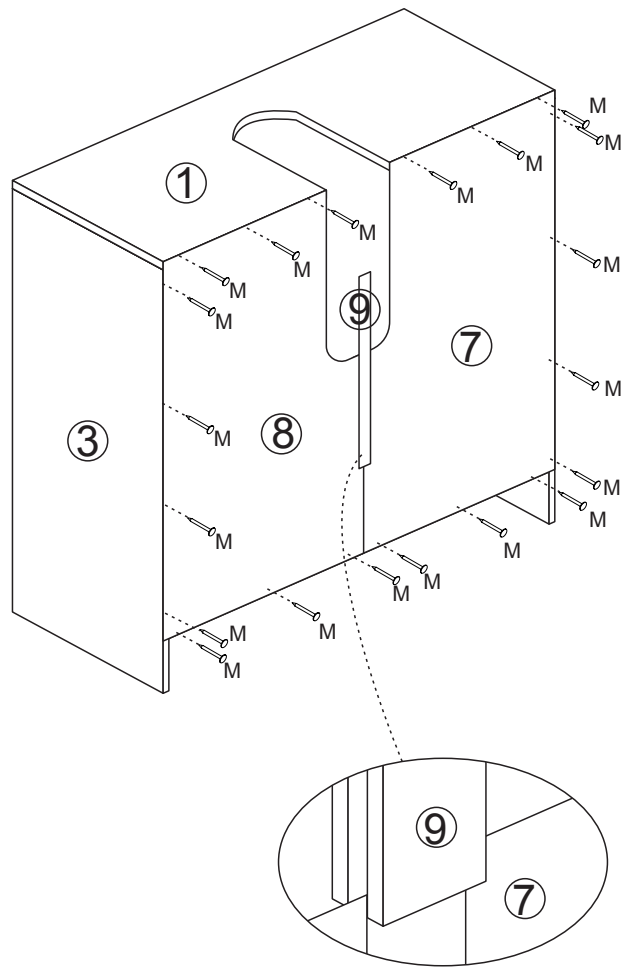
4



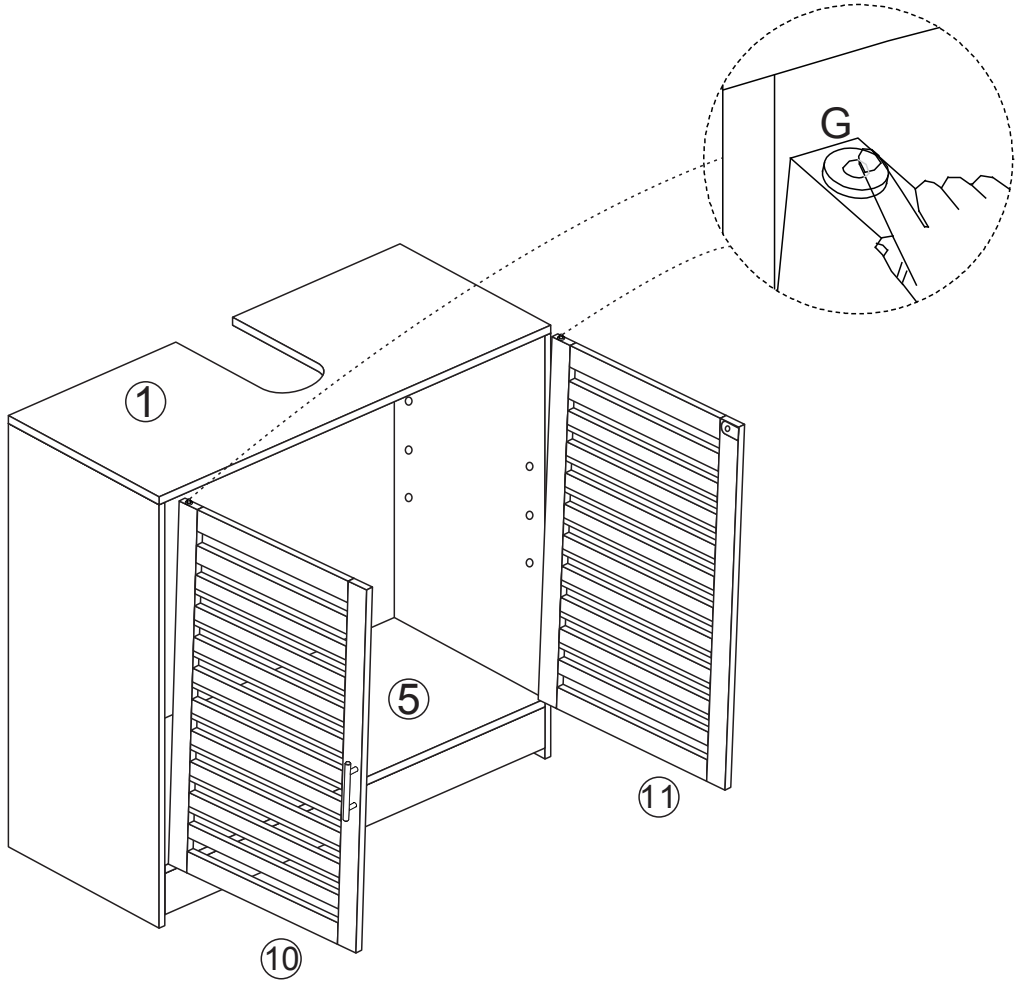
5



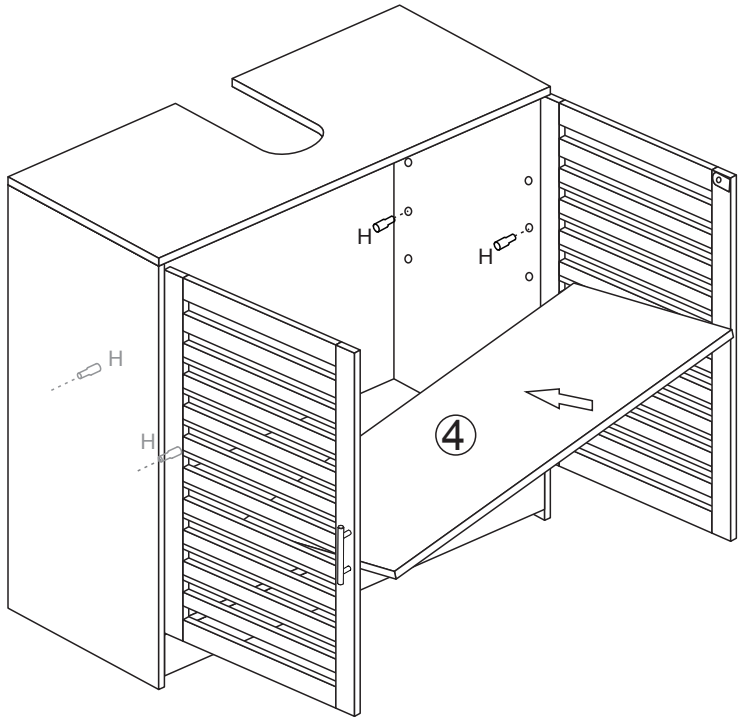
6



7



8



9

