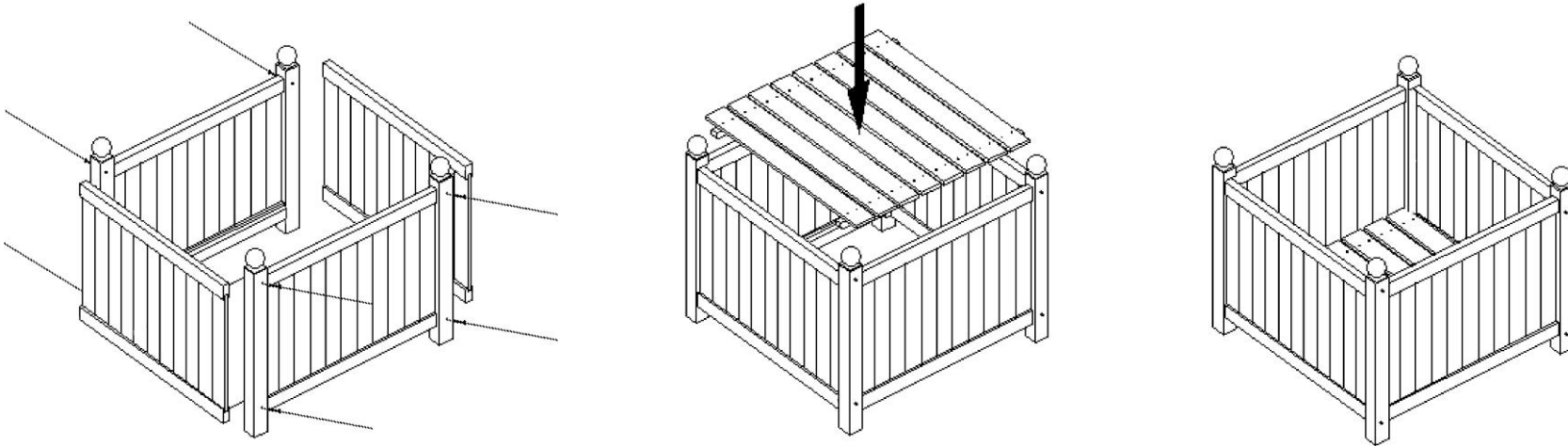


ASSEMBLY INSTRUCTIONS

Wood planter

Tools required: Cross headed screwdriver



Assembly

- Offer the sides panels of the planter to the front and rear panels (as shown) and align the upper edges. Insert the screws (provided) into the predrilled holes and secure.
- Position the base into the bottom of the planter.

Care and maintenance

To prolong the life of your planter

- Line the inside with polythene but ensure that a few holes are made in the polythene for drainage.
- Preserve the wood using a proprietary timber treatment, following directions on the can after first checking that it is not harmful to plants.