
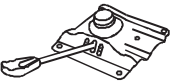










# Assembly Instruction

|  |  |
|--|--|
| Ax1<br>   | Fx1<br>             |
| Bx1<br>   | Gx5<br>             |
| Cx1<br>   | Hx4<br><br>6*20mm   |
| Dx1<br> | Ix4<br><br>6*25mm |
| Ex1<br> | Jx1<br>           |

