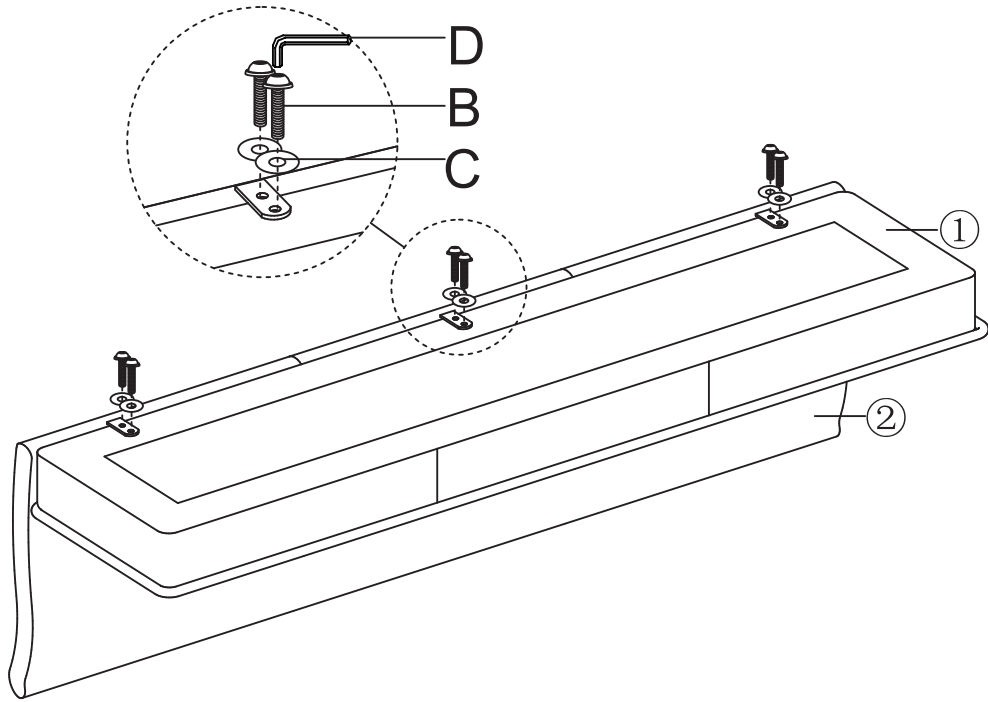


①	x1	②	x1	③	x2	A	x4	B	x10	C	x14
						M6x18mm		M6x30mm		Φ6x18x1.2mm	
D	x1										
M5											

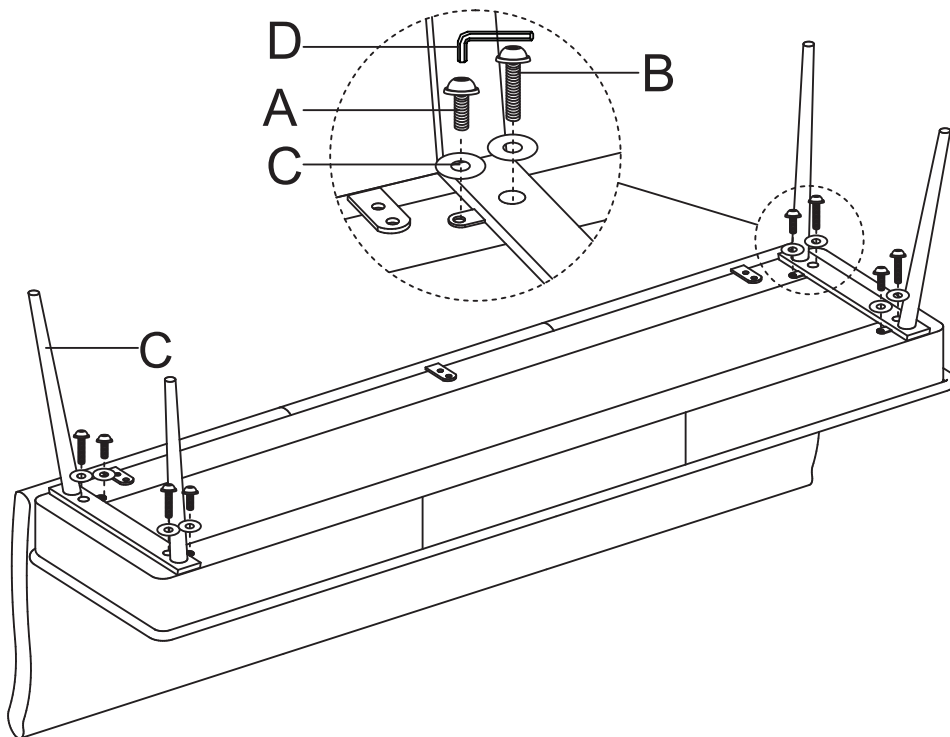


1



①	x1	②	x1	B	x6	C	x6	D	x1
				M6x30mm		Φ6x18x1.2mm		M5	

2



③	x2	A	x4	B	x4	C	x8	D	x1
		M6x18mm		M6x30mm		Φ6x18x1.2mm		M5	

3

