

NOTICE

Do not overtighten screws. (Insert all screws before tighten screws.)

- Please do not exceed the weight limitations of this item.
- Do not stand on or use any part of this item as a step ladder.
- Firmly secure all bolts, screws and nuts before use.
- Reconfirm that all bolts, screws, and nuts are secure every 90 days.
- Do not use or store this item in the proximity of open flame or flammable/combustible chemicals.
- Be aware that some parts are heavy and have sharp edges.

TOOLS REQUIRED



ALLEN WRENCH
(PROVIDED)



CHAIR
330 LBS
CAPACITY



TABLE
110 LBS
CAPACITY



1 PERSON
ASSEMBLY



UP TO 60 MIN.
ASSEMBLY

HARDWARE

1 M6 x 30mm BOLT 16 PCS	2 M6 x 40mm BOLT 8 PCS	3 M6 x 15mm BOLT 8 PCS	4 M6 WASHER 32 PCS	5 ALLEN WRENCH 1 PC
---	--	--	-------------------------------------	---

PARTS

A CHAIR RIGHT SIDE 2 PCS	B CHAIR LEFT SIDE 2 PCS	C CHAIR SEAT 2 PCS
---	--	-------------------------------------

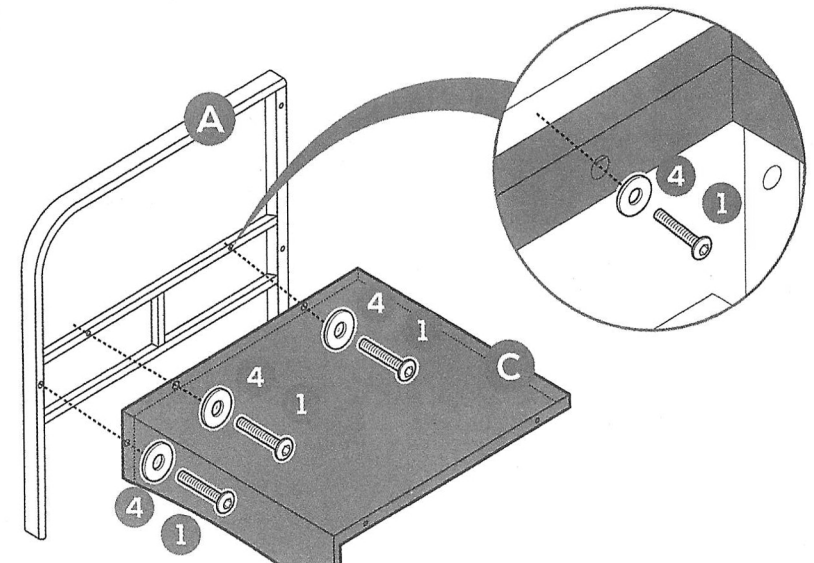
PARTS

D CHAIR BACKREST 2 PCS	E CUSHION 2 PCS	F TABLE BASE 1 PC
G TABLE TOP 1 PC	H TABLE LEG 4 PCS	

PRODUCT ASSEMBLY - CHAIR

1

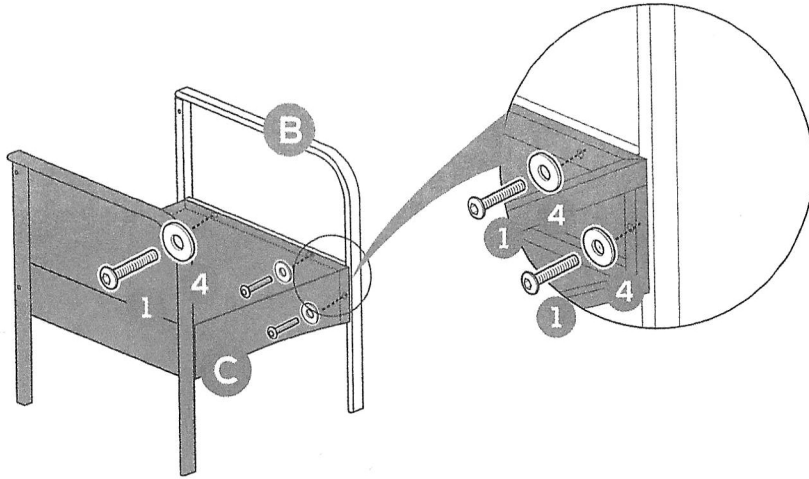
Attach part C Chair Seat to part A Chair Right Side with 3 PCS of part 1 bolt and 3 PCS of part 4 washer.



PRODUCT ASSEMBLY - CHAIR

2

Attach part C Chair Seat to part B Chair Left Sideb with 3 PCS of part 1 bolt and 3 PCS of part 4 washer.

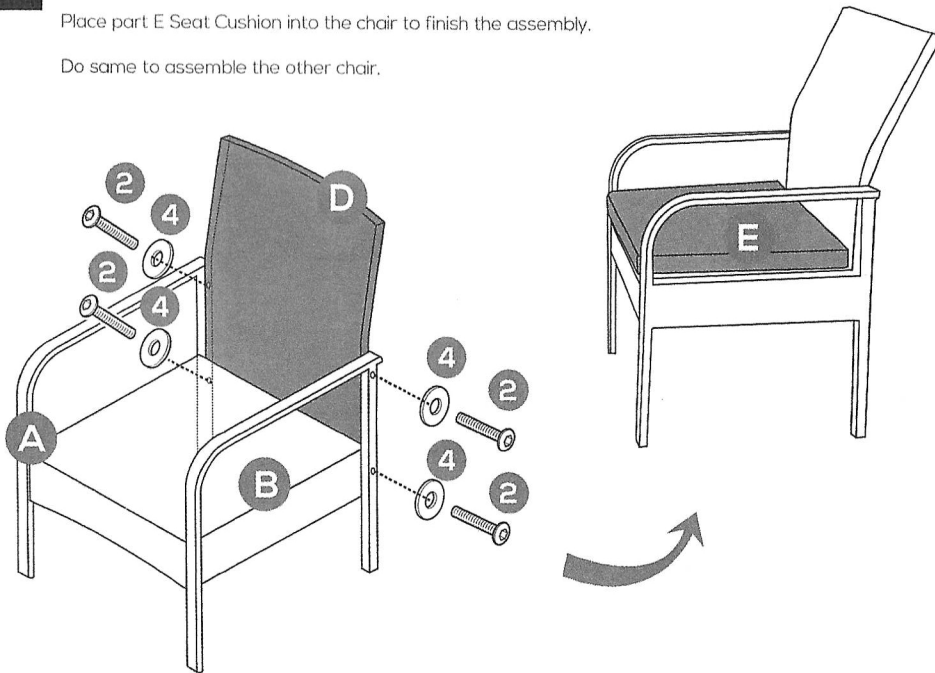


3

Attach part D Chair Backrest to part A Chair Right Side and part B Chair Left Side with 4 PCS of part 2 bolt and 4 PCS of part 4 washer.

Place part E Seat Cushion into the chair to finish the assembly.

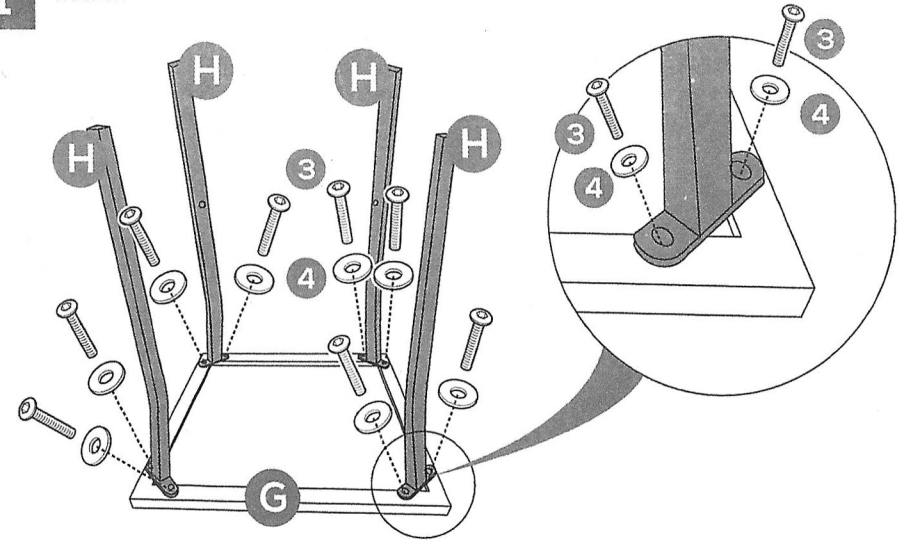
Do same to assemble the other chair.



PRODUCT ASSEMBLY - TABLE

1

Attach the part H Table Leg to part G Table Top with 8 PCS of part 3 bolt and part 4 washer.



2

Attach part F Table Base to part H Table Leg with 4 PCS of part 1 bolt and part 4 washer.

