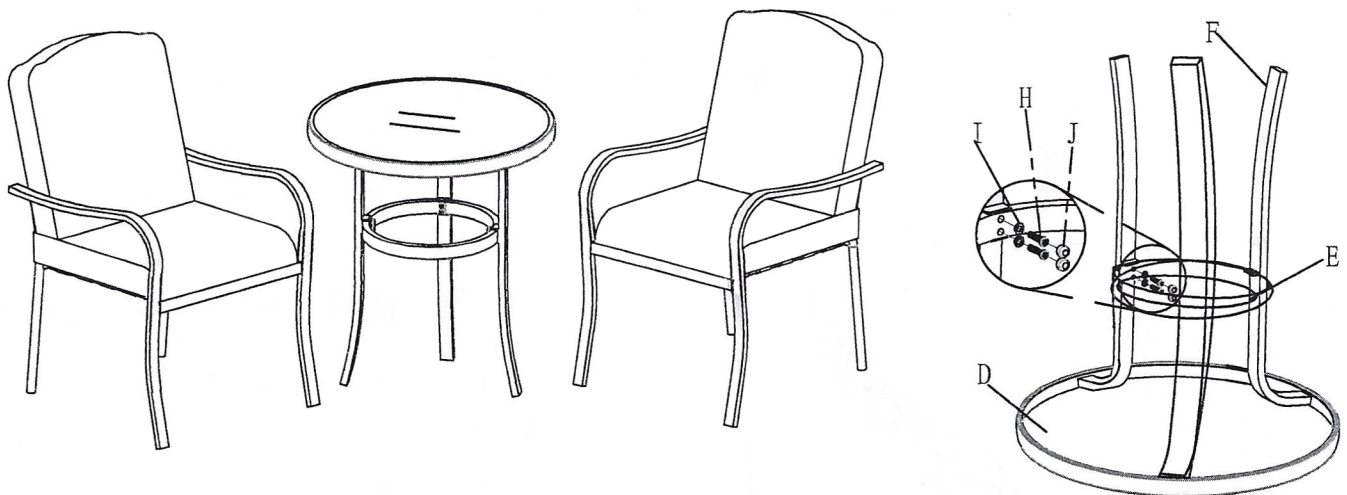
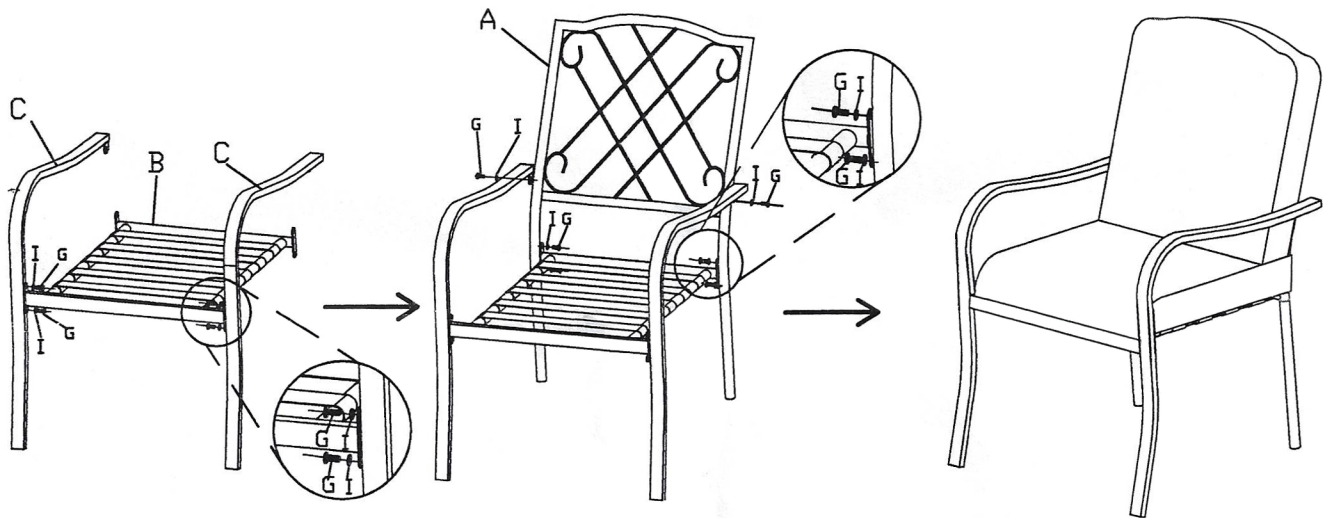


# ASSEMBLY INSTRUCTION

NO.	A	B	C	D	E	F	G	H	I	J
SKETCH										
QTY	1	1	2	1	1	3	10	6	16	6



**EASY ASSEMBLE TIPS:** Tighten each screw about 25% and continue to do so each screw little by little until all screws fully tightened. You might have to pull on the arms and legs a little to align the holes in order for the screws to go in.