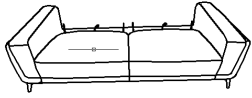
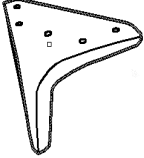
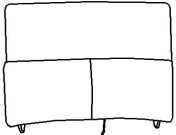


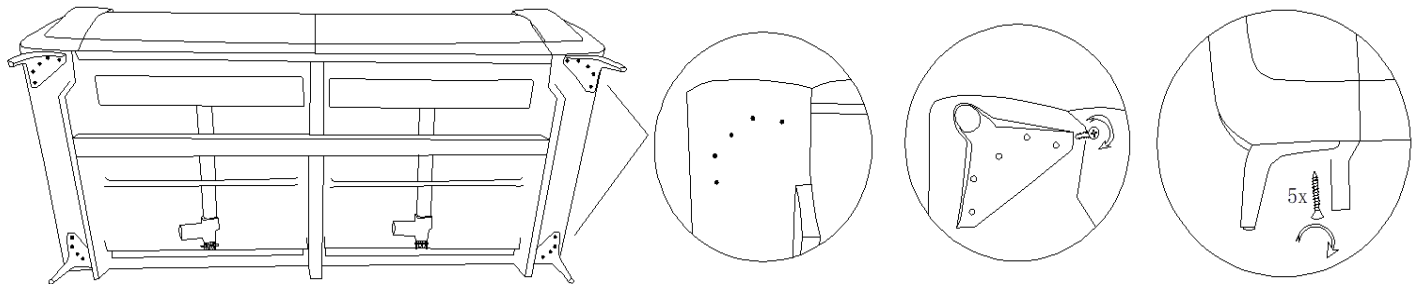


**LIST OF PARTS
TOOLS REQUIRED:NO TOOKS REQUIRED**

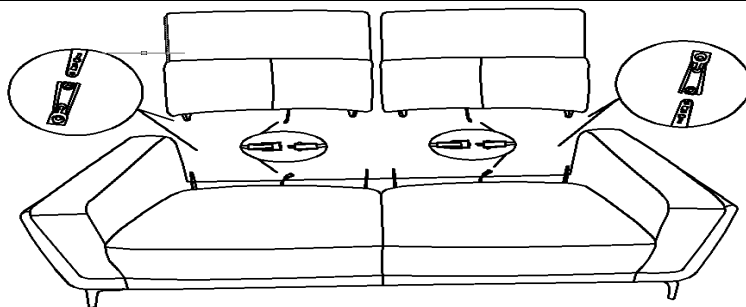
NO	Description	Item	Quantity	NO	Description	Item	Quantity
A			1	D			4
B			2	E			1
C			20	F			

ASSEMBLY INSTRUCTIONS

STEP 1.



STEP 2.



STEP 3.

