
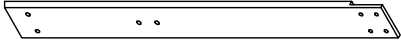
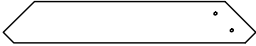

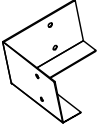
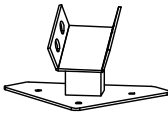
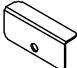
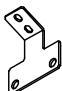


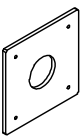
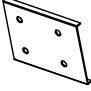


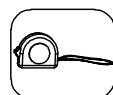
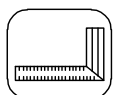
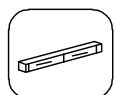
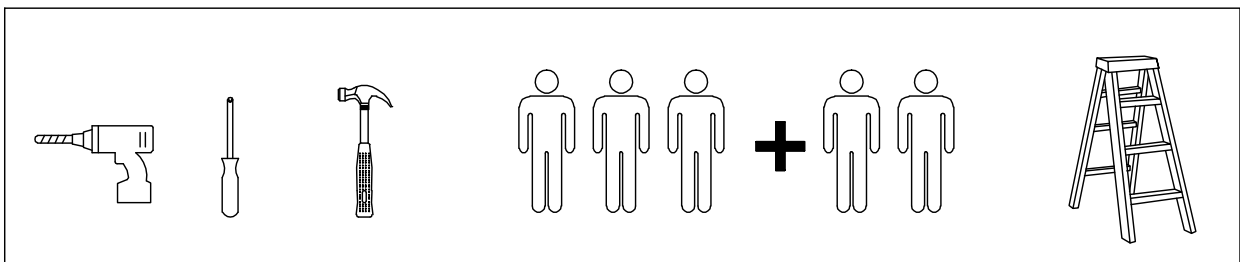

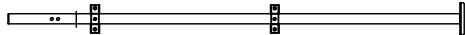

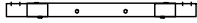
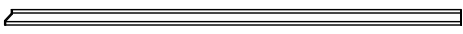


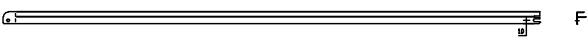
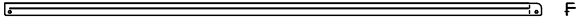
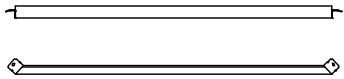
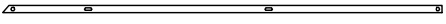

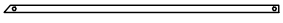


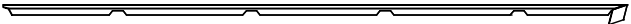
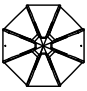

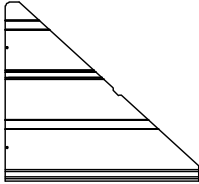
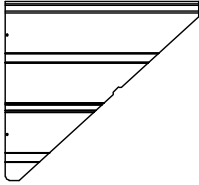
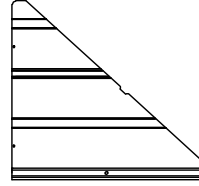
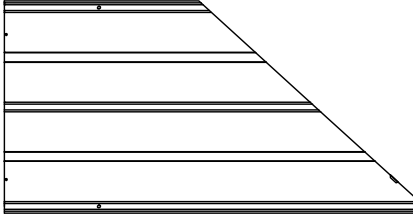
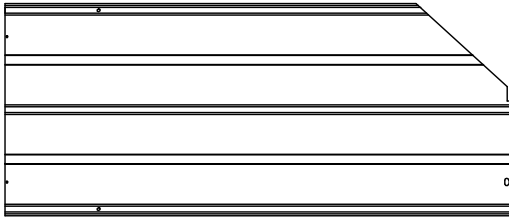
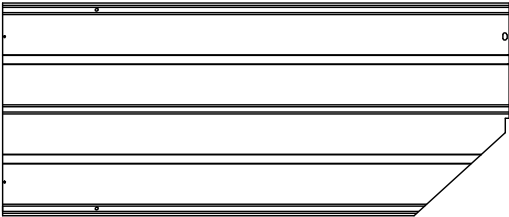
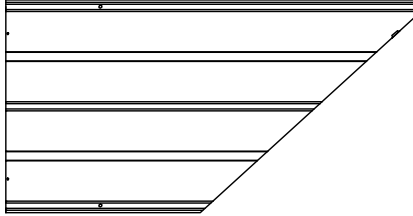
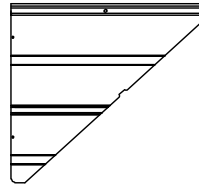



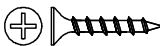
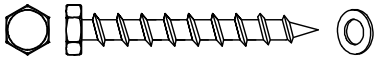
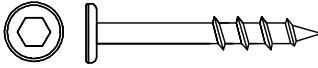
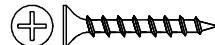

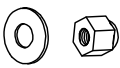
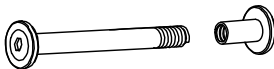
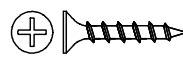


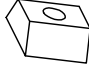



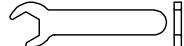

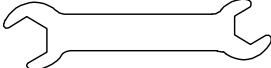
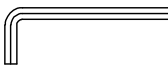
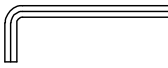
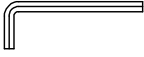
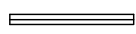
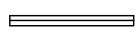
01	4	
02	4	
04	8	
06	4	

M2	4		N1	4	
Z4	4		Z3	4	
X1	8		X2	8	
X5	4		X4	8	
Q2	1		Q1	4	

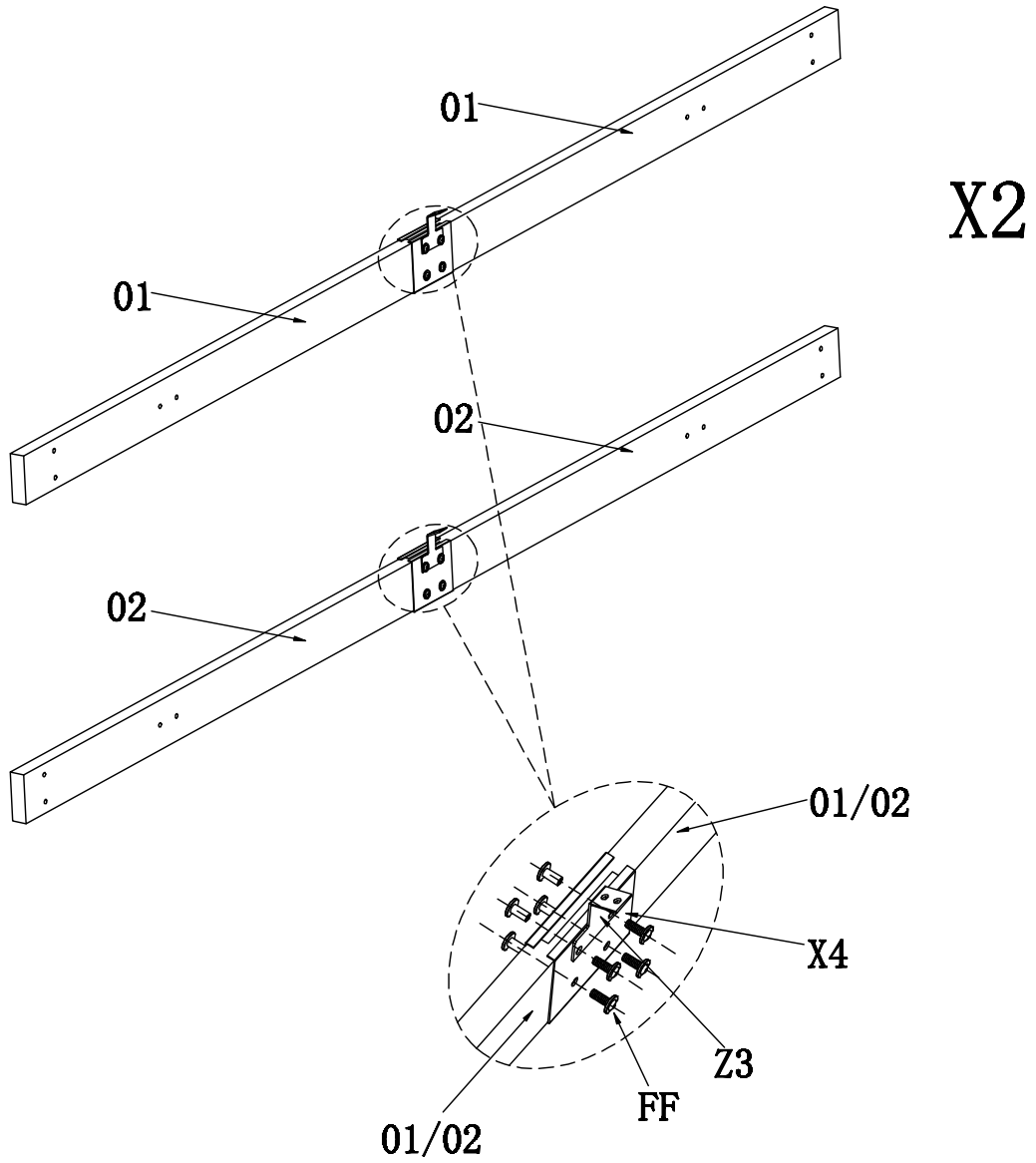


A1	4	
B1	4	
D1	2	
D2	2	
E3	4	
E4	4	
F1	4	
H2	4	
H6	4	
I5	4	
K1	4	
K2	4	
K3	4	
K4	4	
S1	4	
S2	4	
L1	1	
L2	1	

<p>T1</p>	<p>4</p>	
<p>T7</p>	<p>4</p>	
<p>T12</p>	<p>4</p>	
<p>T13</p>	<p>4</p>	
<p>T14</p>	<p>4</p>	
<p>T16</p>	<p>4</p>	
<p>T17</p>	<p>4</p>	
<p>T18</p>	<p>4</p>	

AA	8	M8X165	
BB	32+3	M5X30	
CC	8	M10*80	
DD	8	M6*70	
EE	12+2	M5*40	
FF	16+1	M8*25	
GG	13+1	M6	
HH	16	M8X60	
JJ	16+1	M5X20	
KK	12+1	M6X55	
LL	16+1	M6X45	
MM	20+1		
NN	4+1	M6X25	
TT	112+8	M6X15	
UU	16	6X200	
Y1	1	M6	
Y2	1	M6	
Y3	2	M10	
Y4	2	M8	 对边5
Y5	2	M8	 对边5
Y6	2	M6	 对边4
Y7	1	M6	 加长对边4
Y8	1	M8	 加长对边5

STEP. 1



01 4X



02 4X



Z3 4X



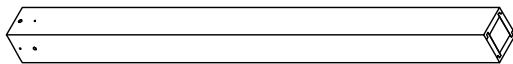
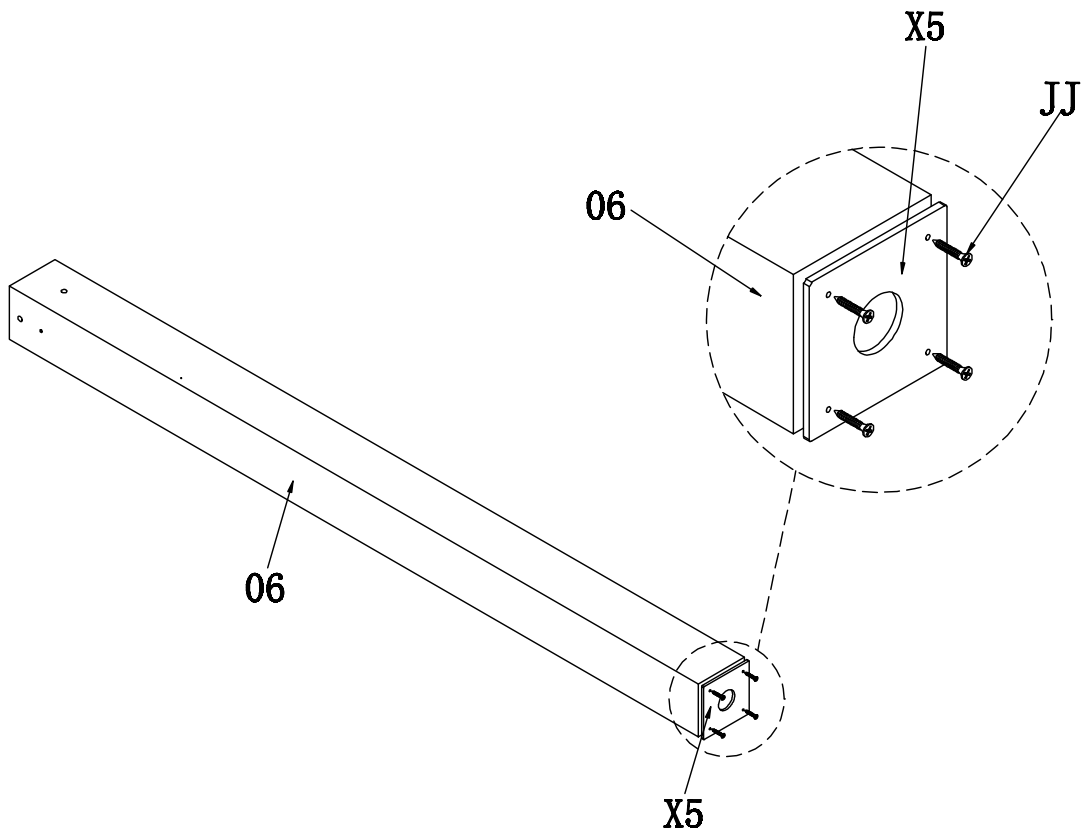
X4 8X



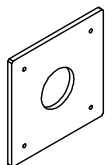
M8*25

FF 16X

STEP. 2



06 4X

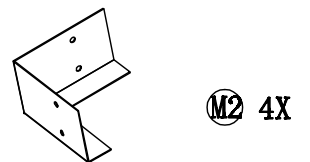
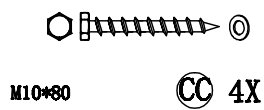
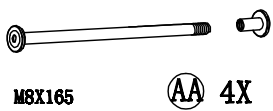
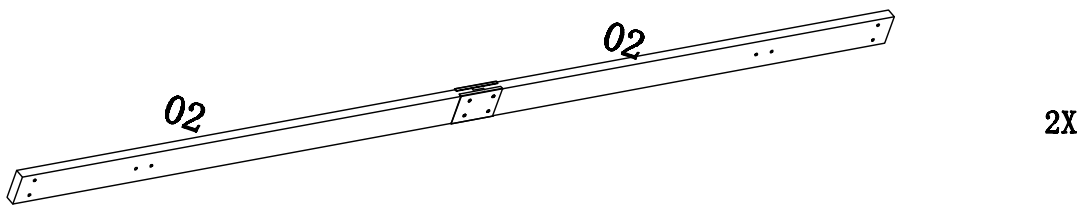
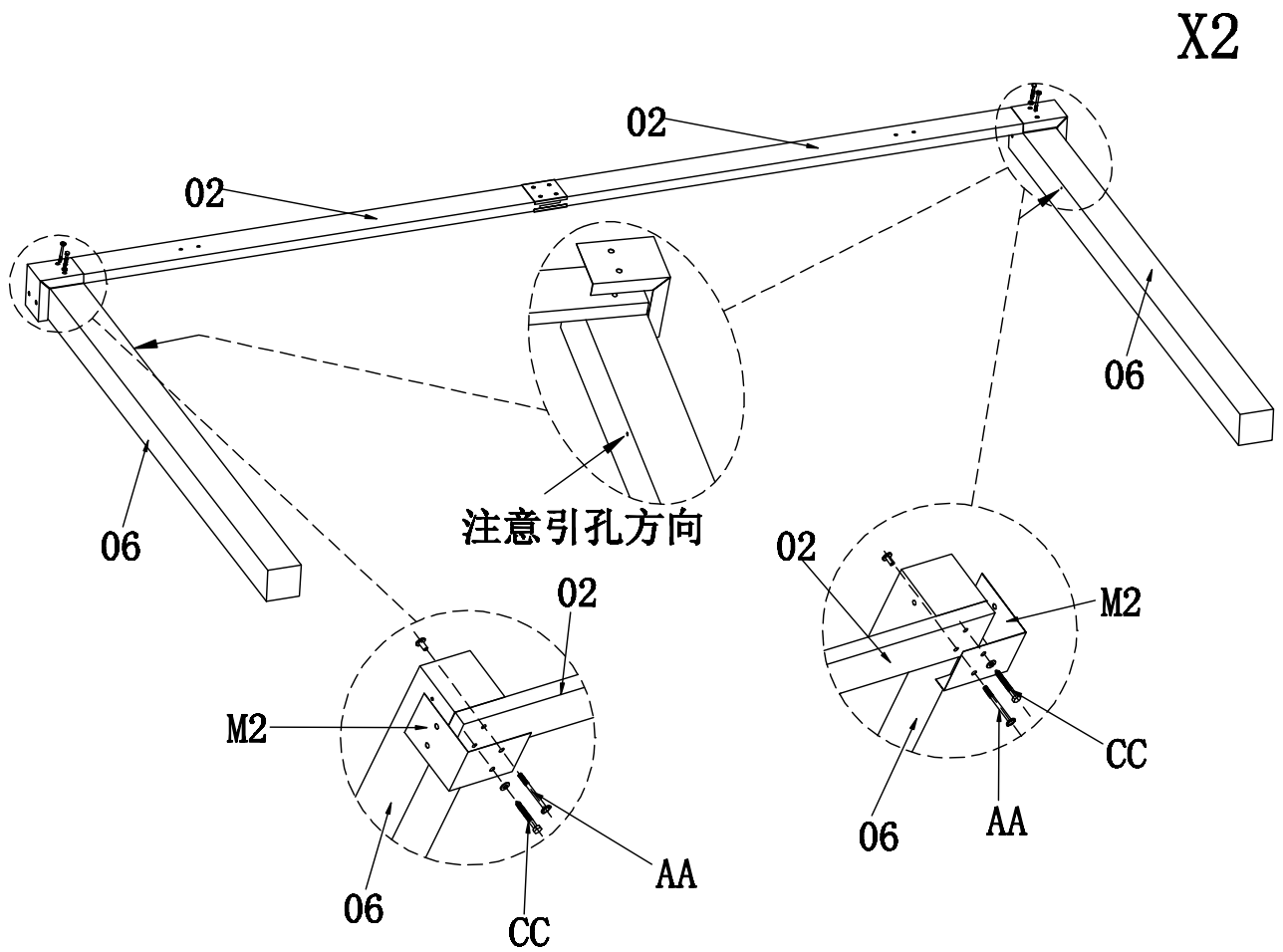


X5 4X



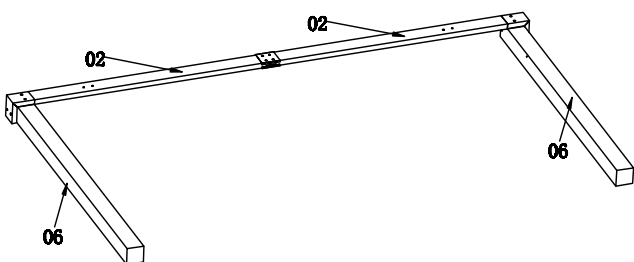
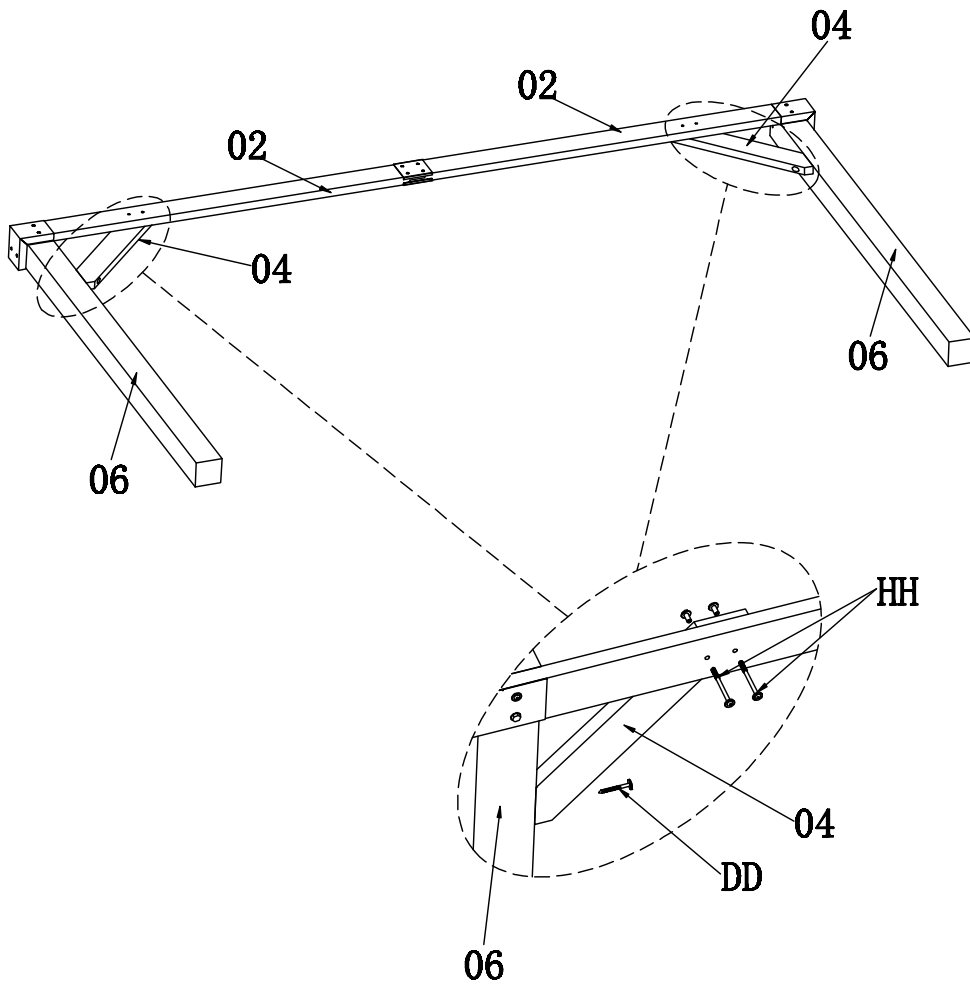
JJ 16X

STEP. 3



STEP. 4

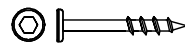
X2



2X



⓪4 4X

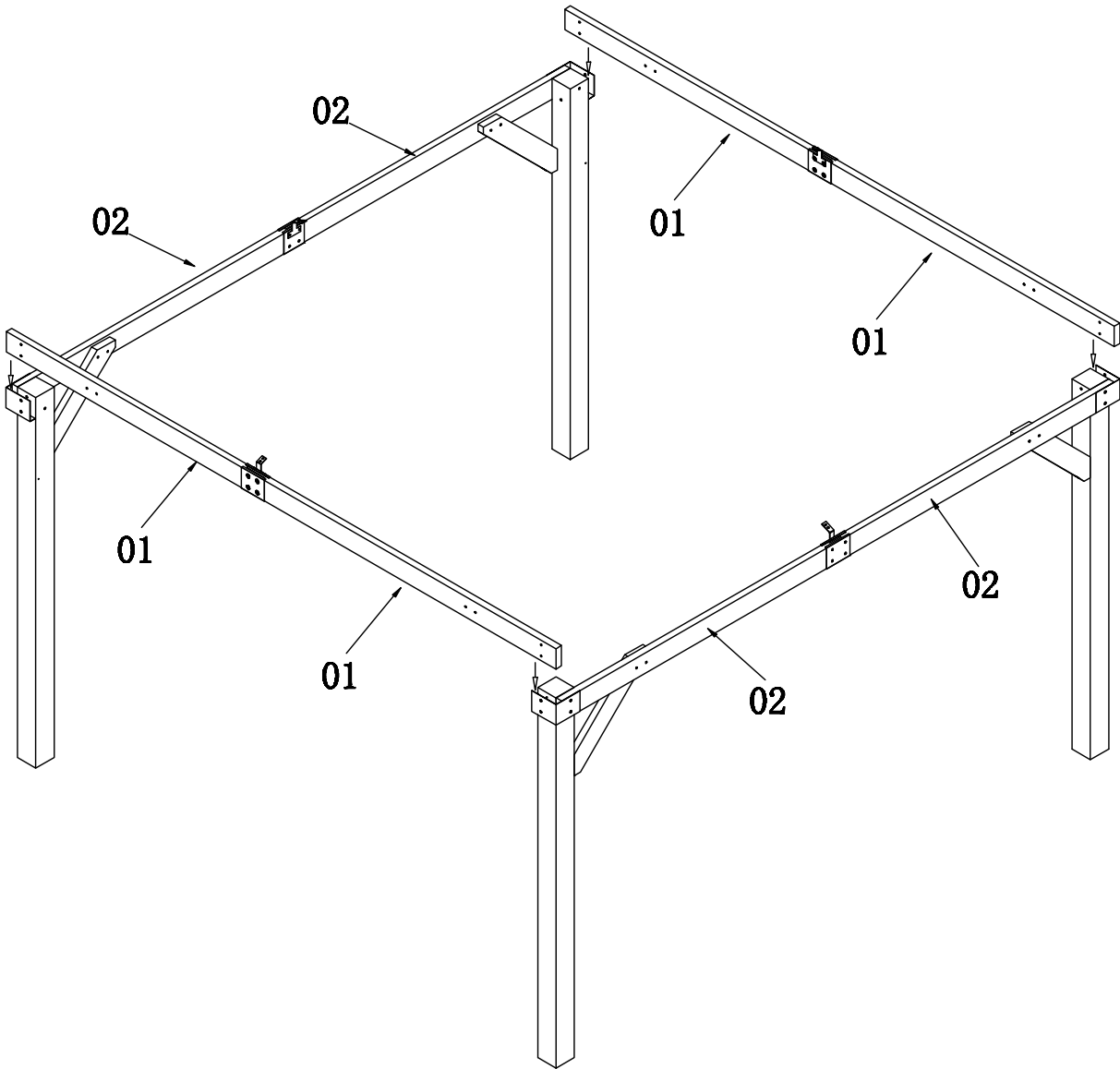


M6*70 ⓪D 4X

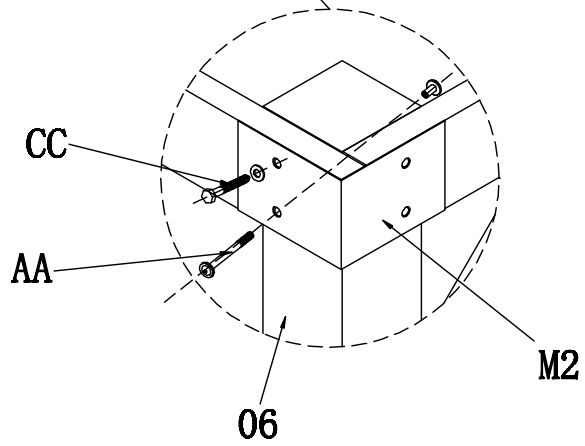
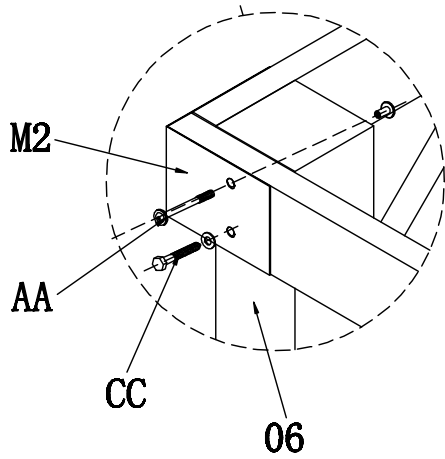
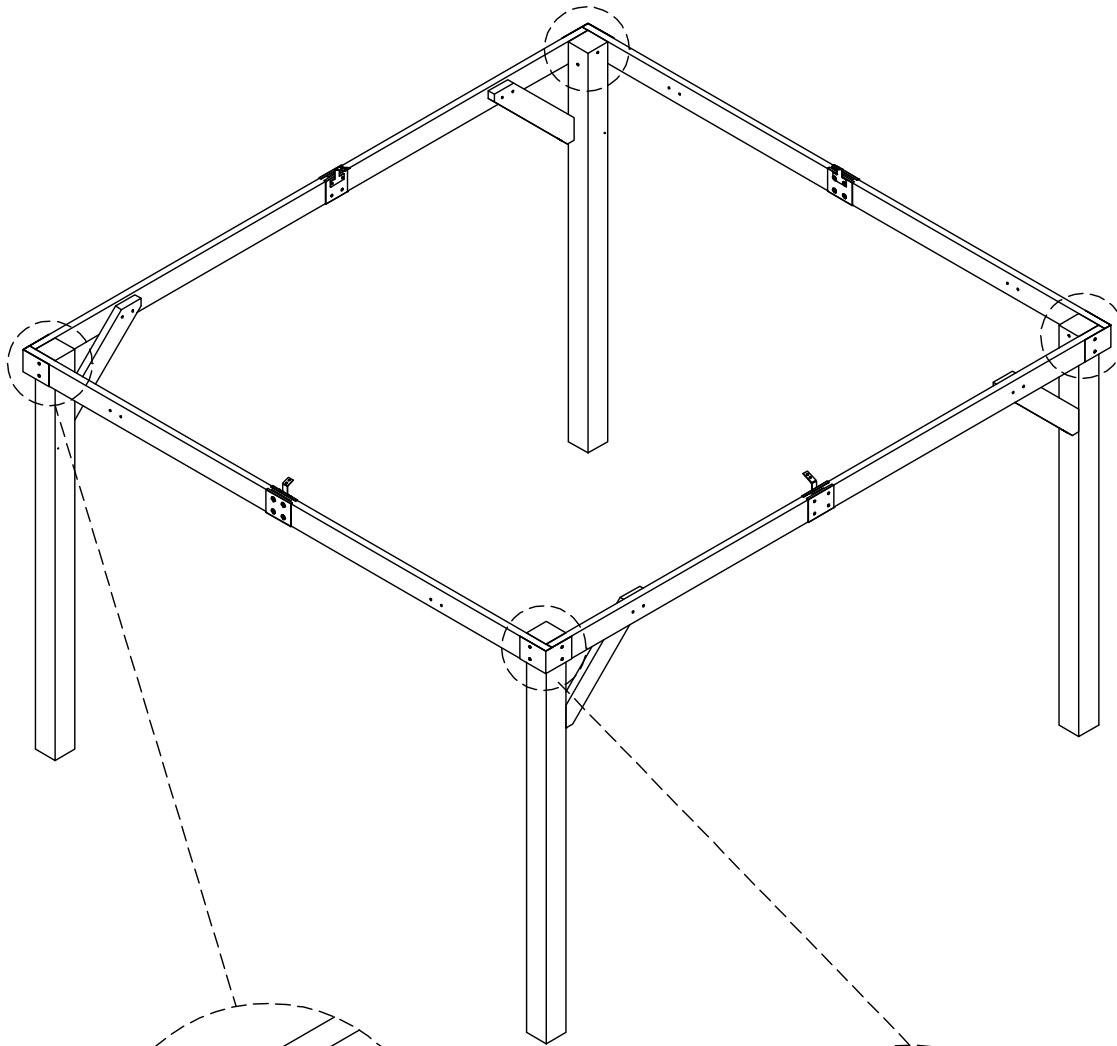


M8X60 ⓪H 8X

STEP. 5

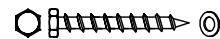


STEP. 6



M8X165

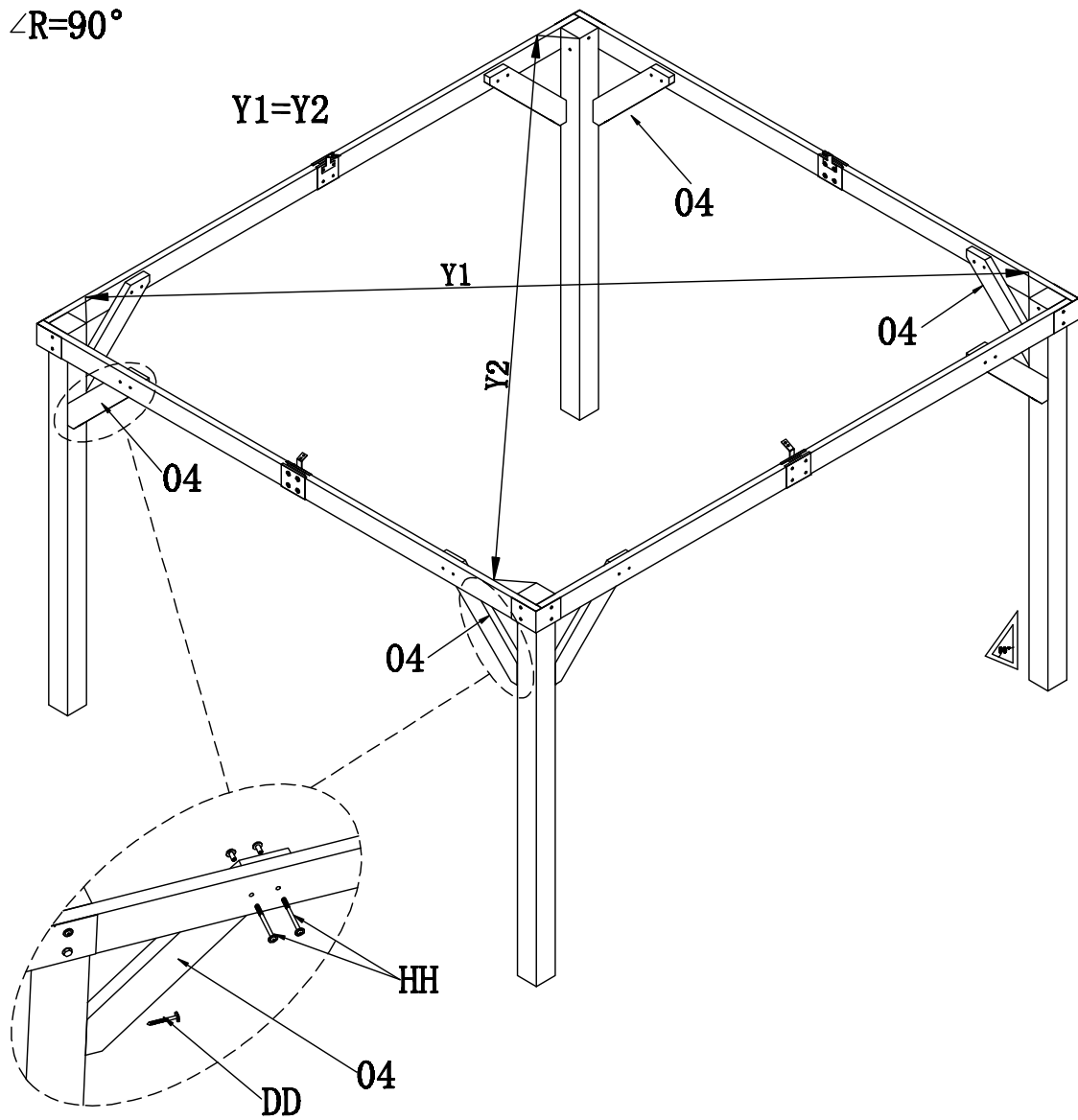
AA 4X



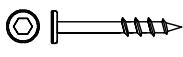
M10*80

CC 4X

STEP. 7



04 4X



M6*70

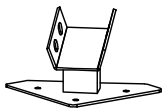
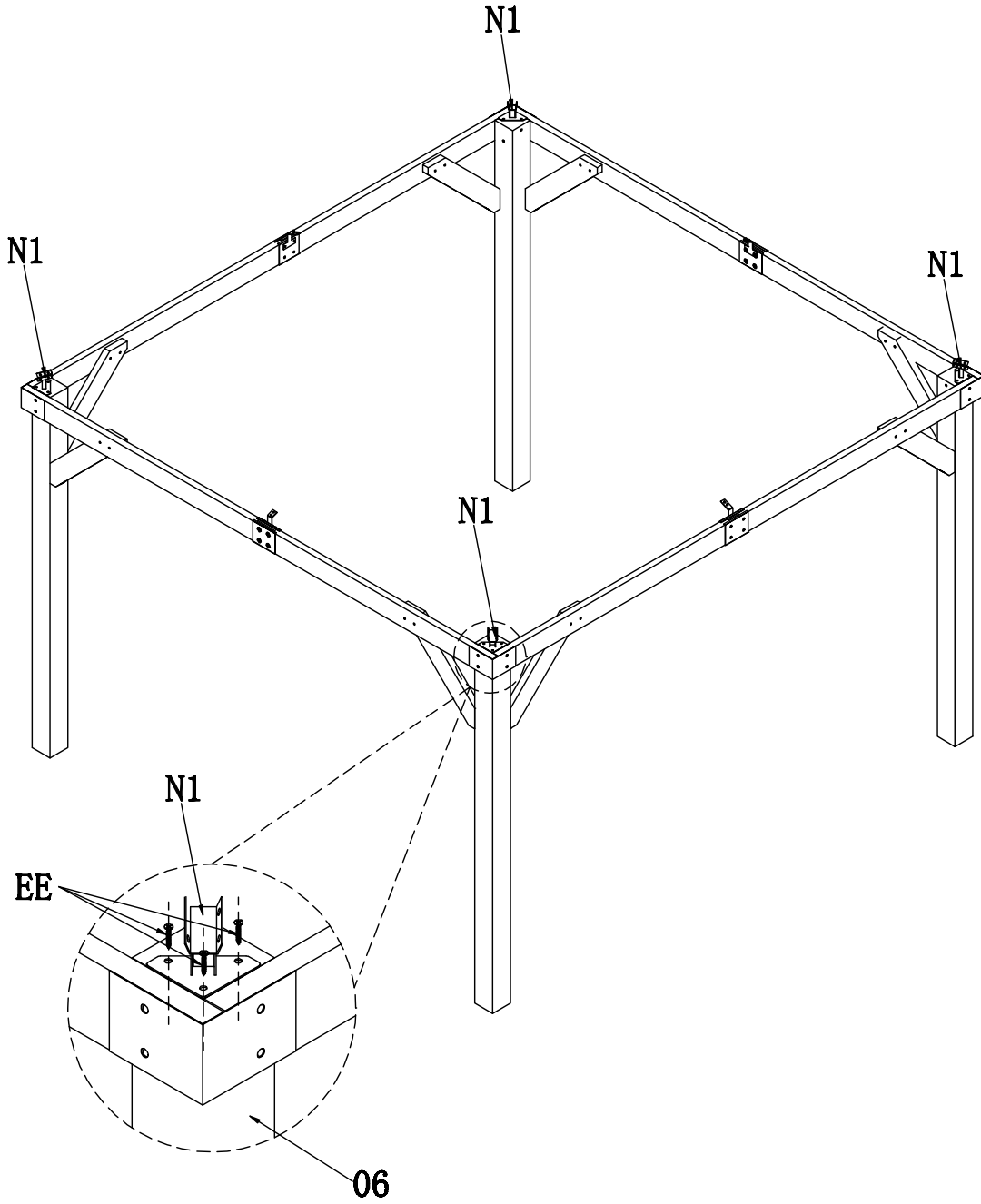
DD 4X



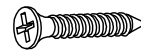
MSX60

HH 8X

STEP. 8



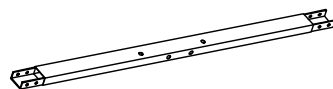
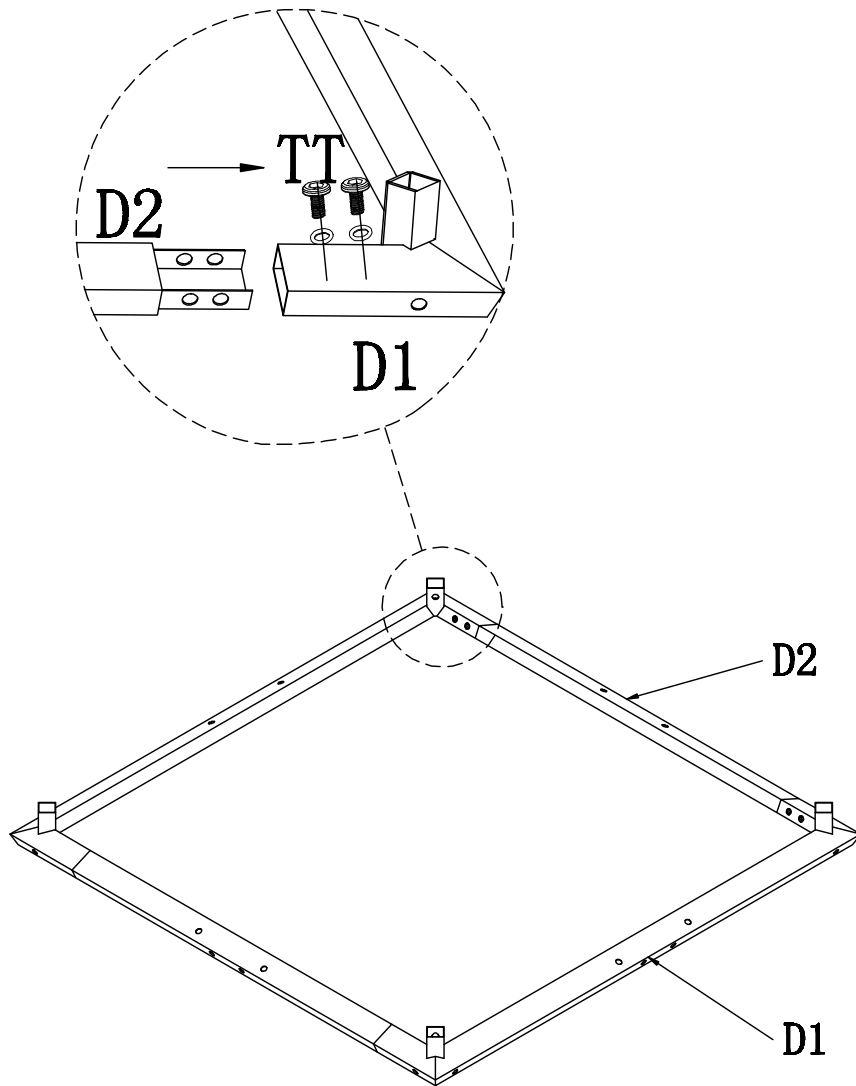
N1 4X



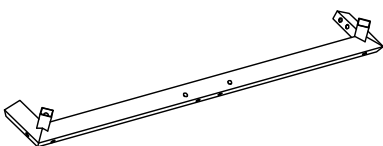
M5X40

EE 12X

STEP. 9



D2 2X



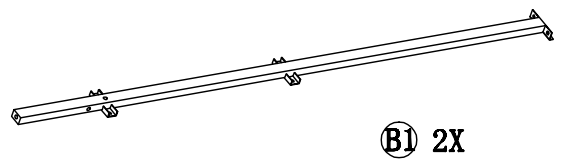
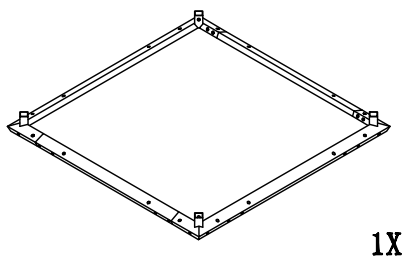
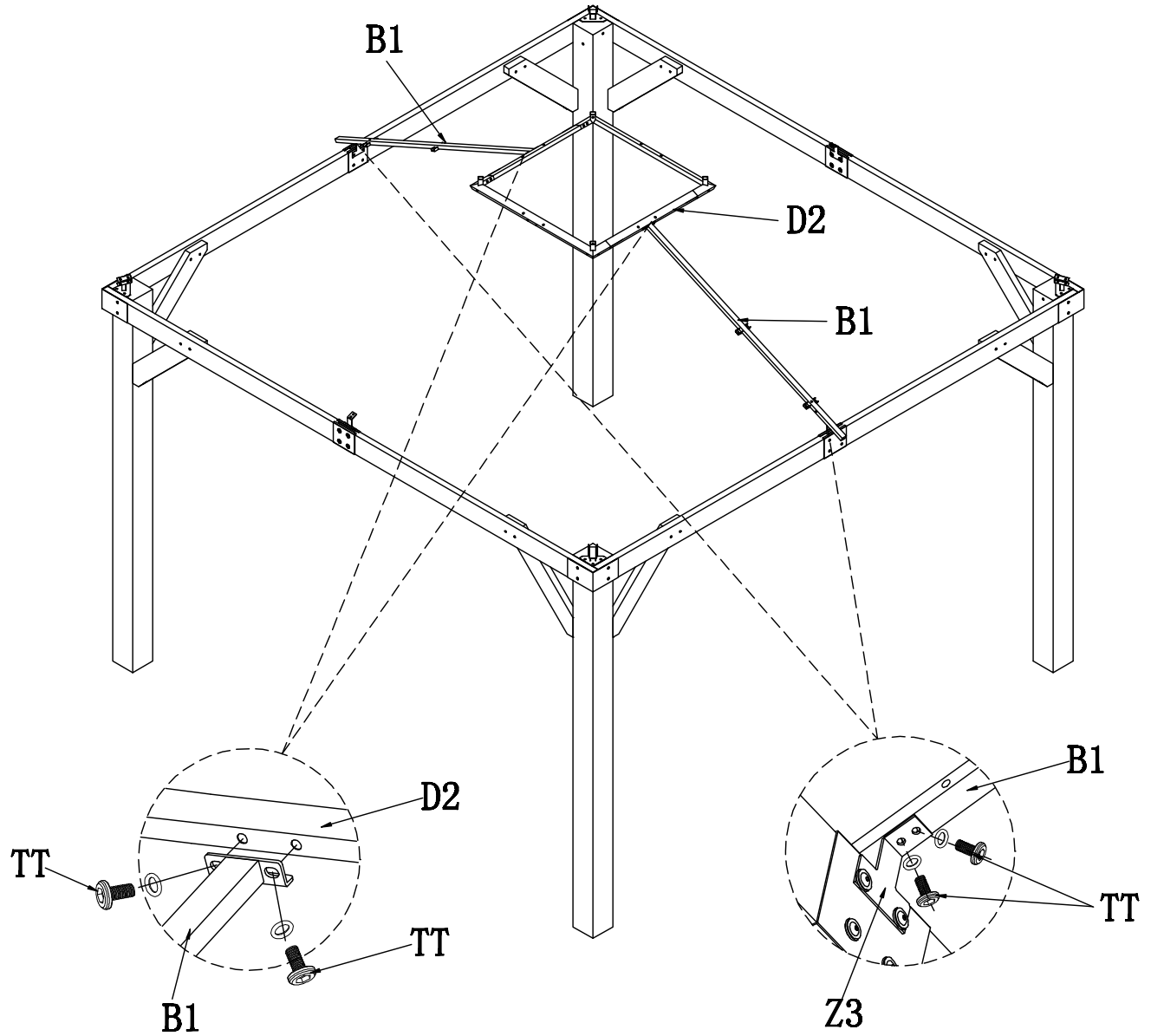
D1 2X



M6X15

TT 8X

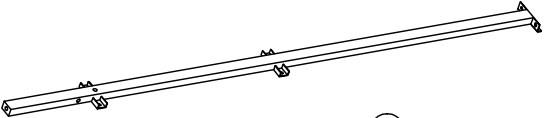
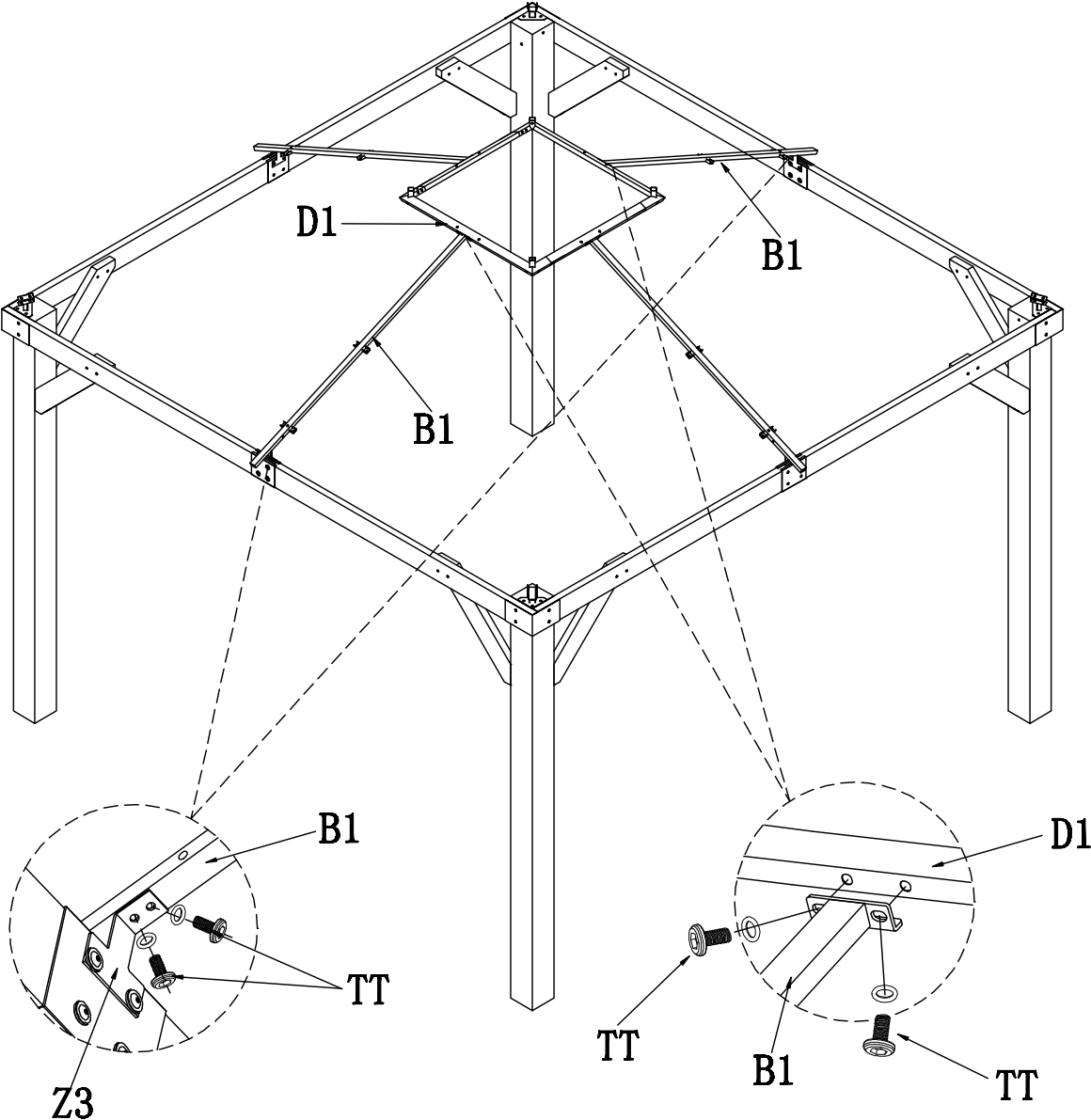
STEP. 10



TT 8X

M6X15

STEP. 11



B1 2X

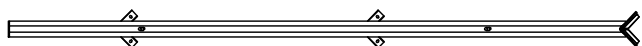
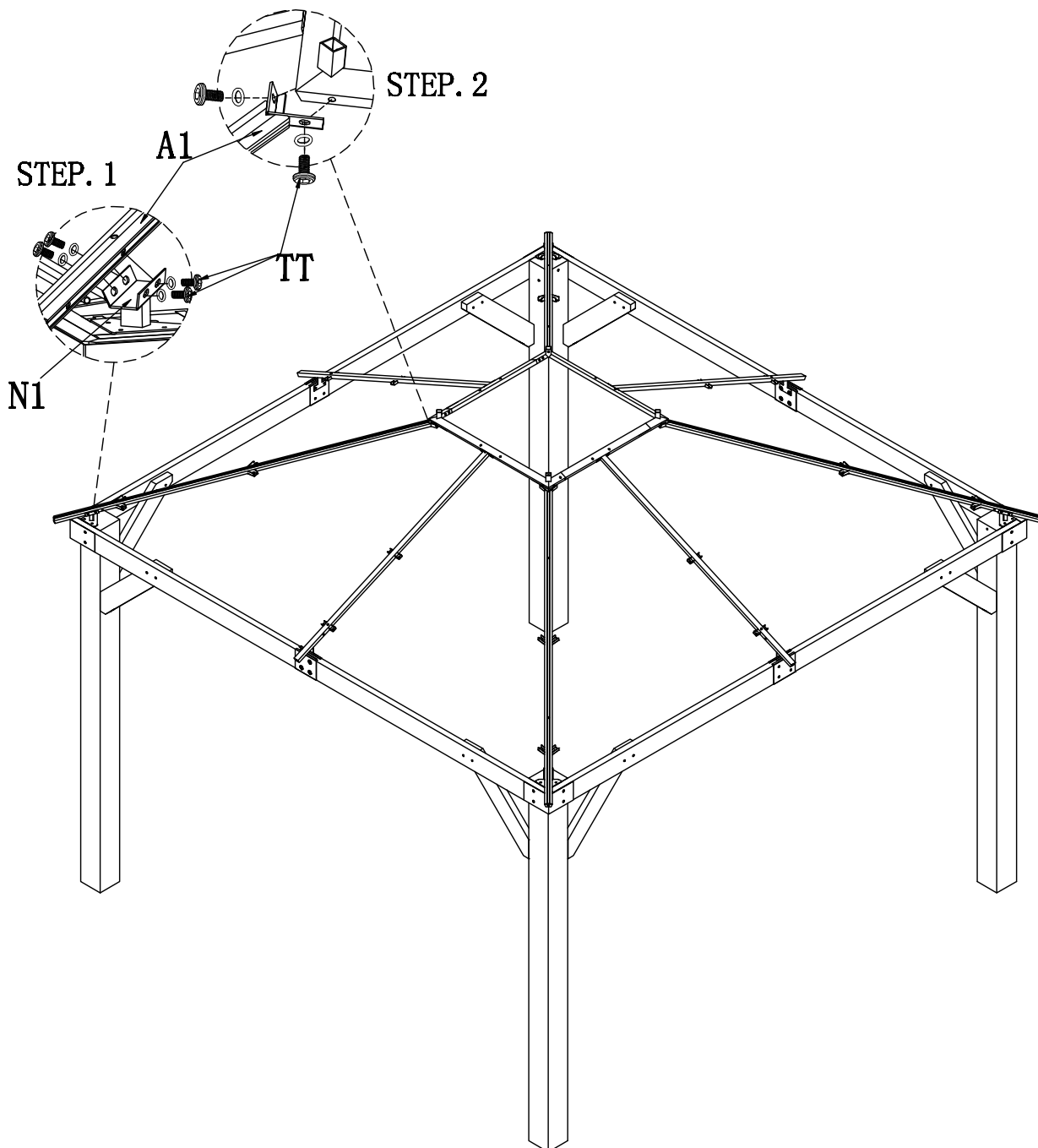


M6X15



TT 8X

STEP. 12



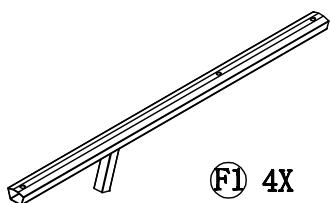
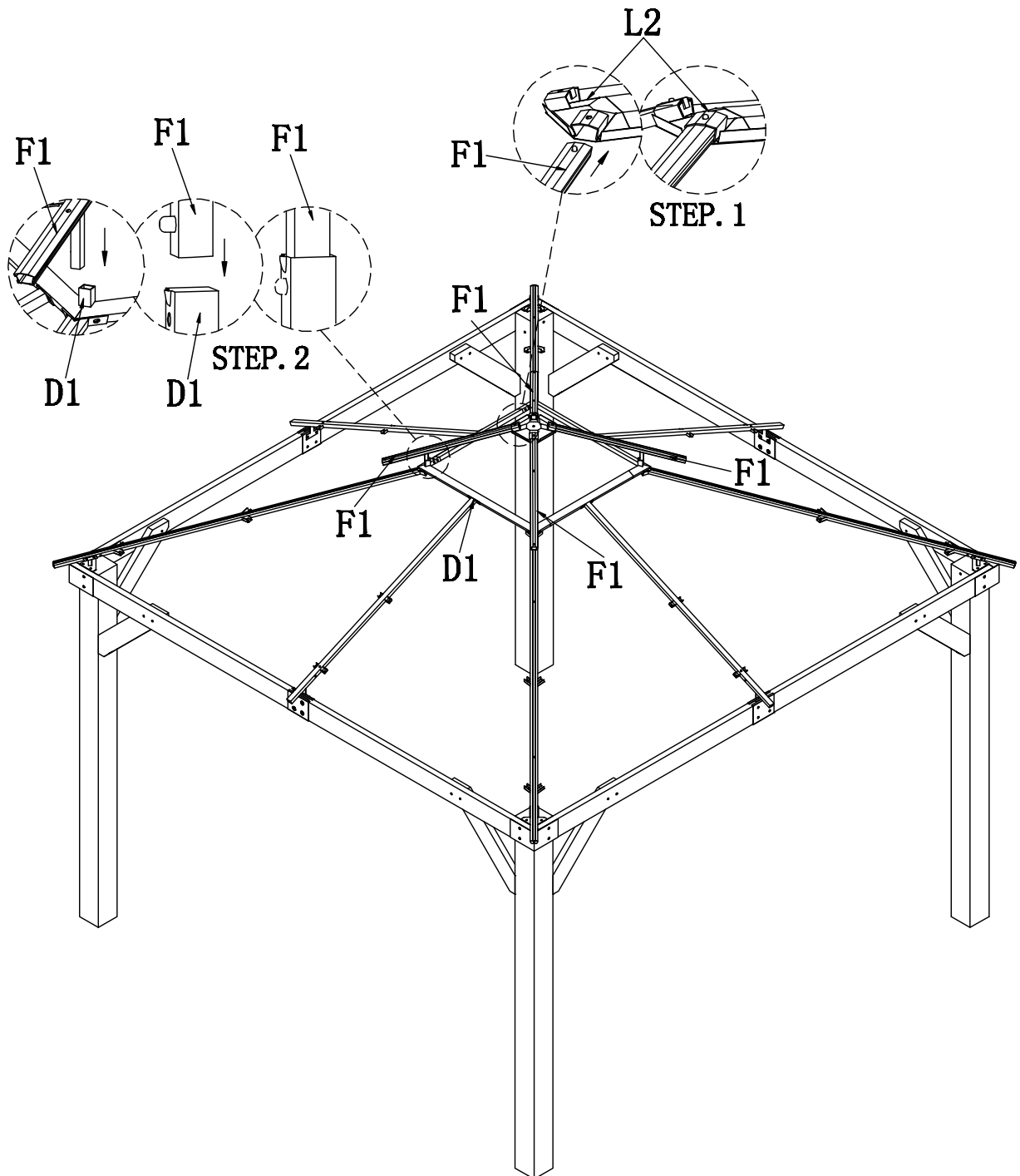
(A1) 4X



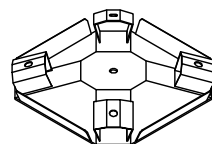
M6X15

(TT) 24X

STEP. 13

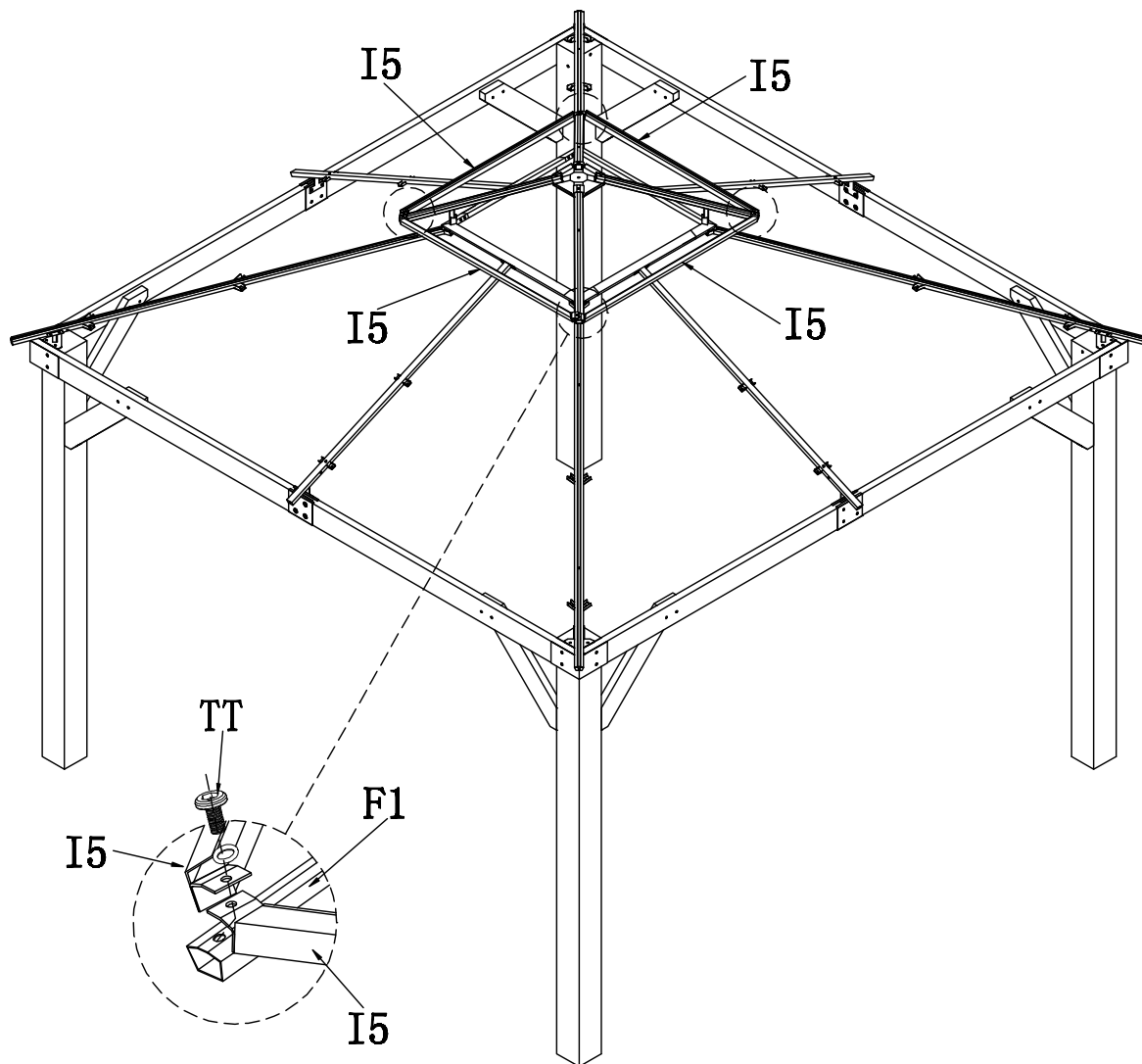


F1 4X



L2 1X

STEP. 14



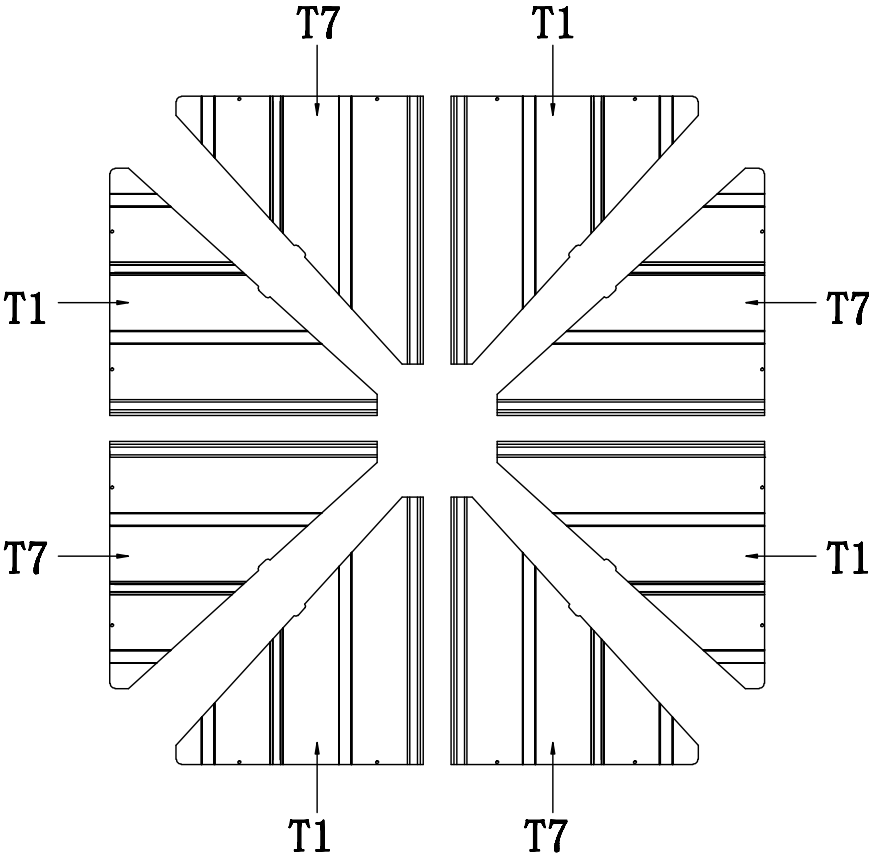
Ⓜ 15 4X



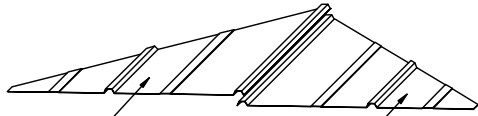
M6X15

Ⓜ 15 4X

STEP. 15

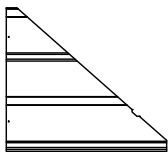
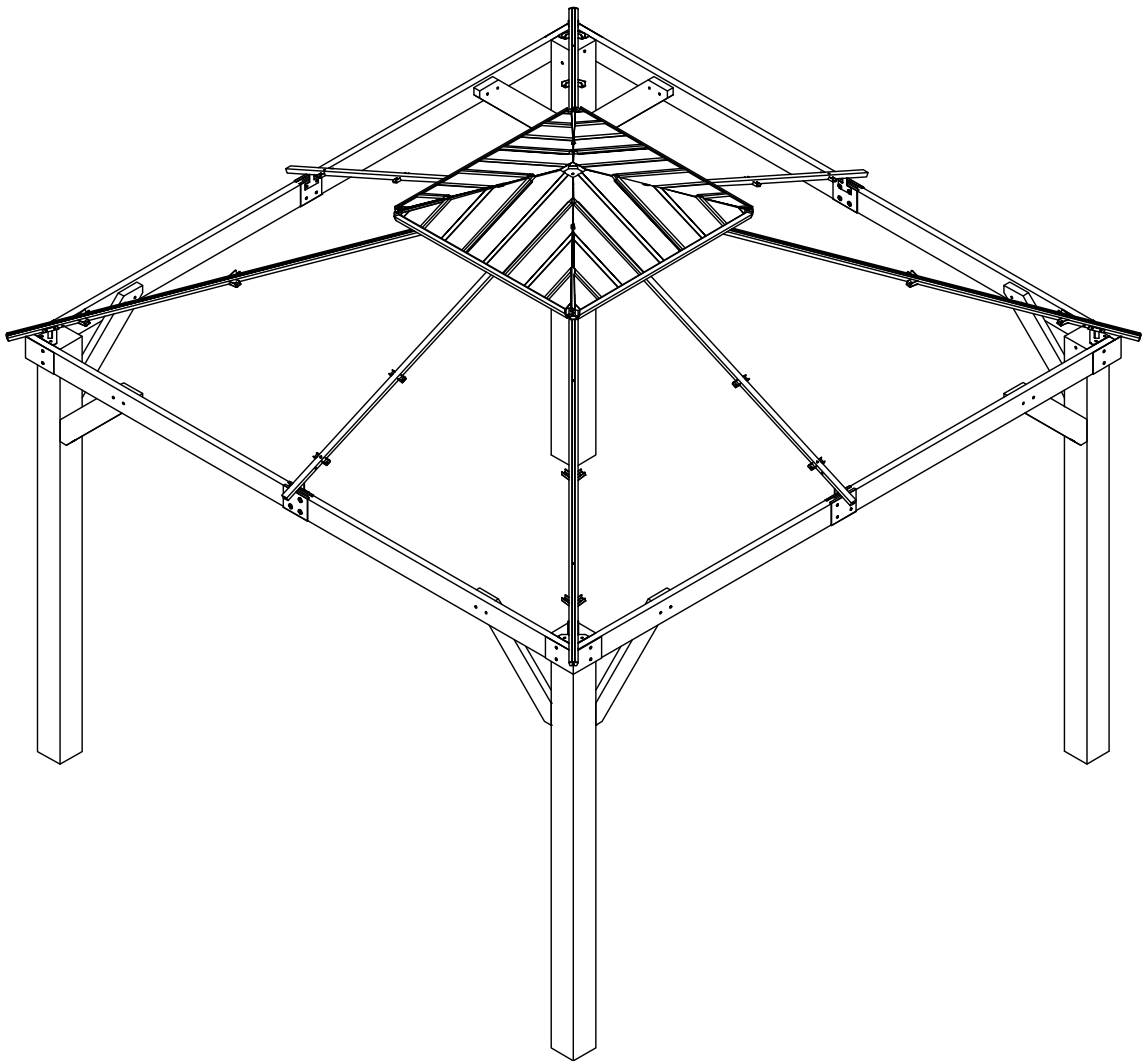
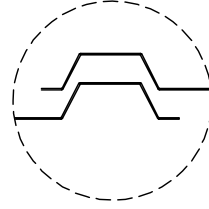


STEP. 16

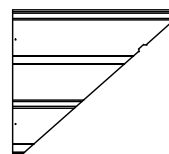


T1
STEP. 1

T7
STEP. 2

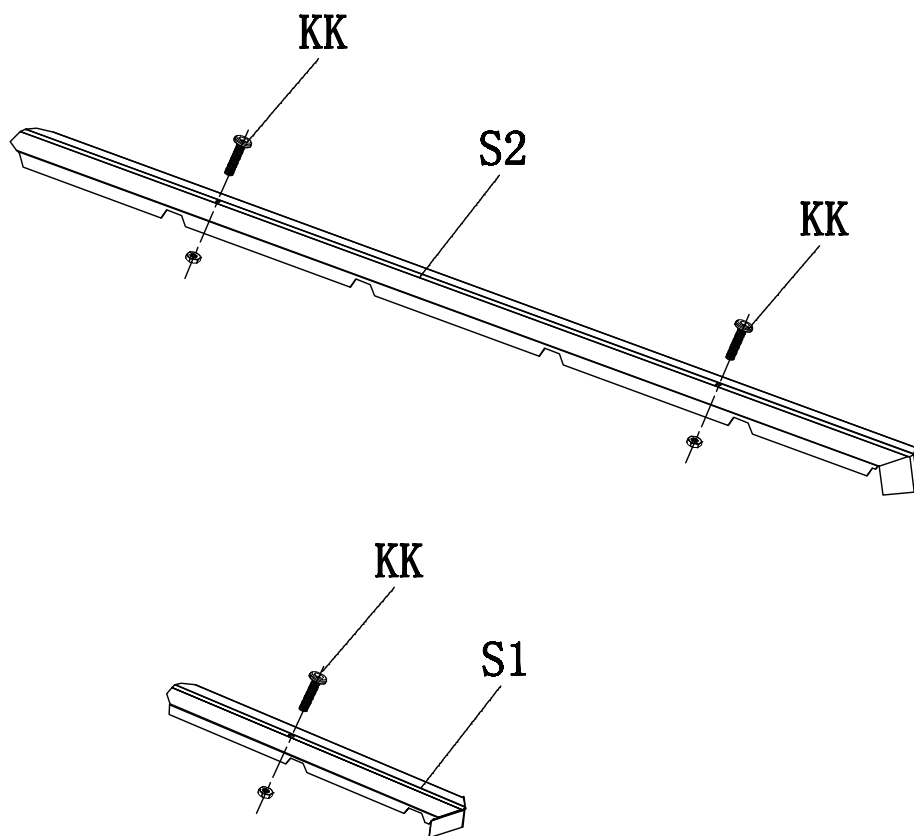


T1 4X



T7 4X

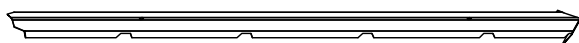
STEP. 17



螺丝KK先固定在S1和S2上



Ⓢ1 4X



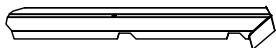
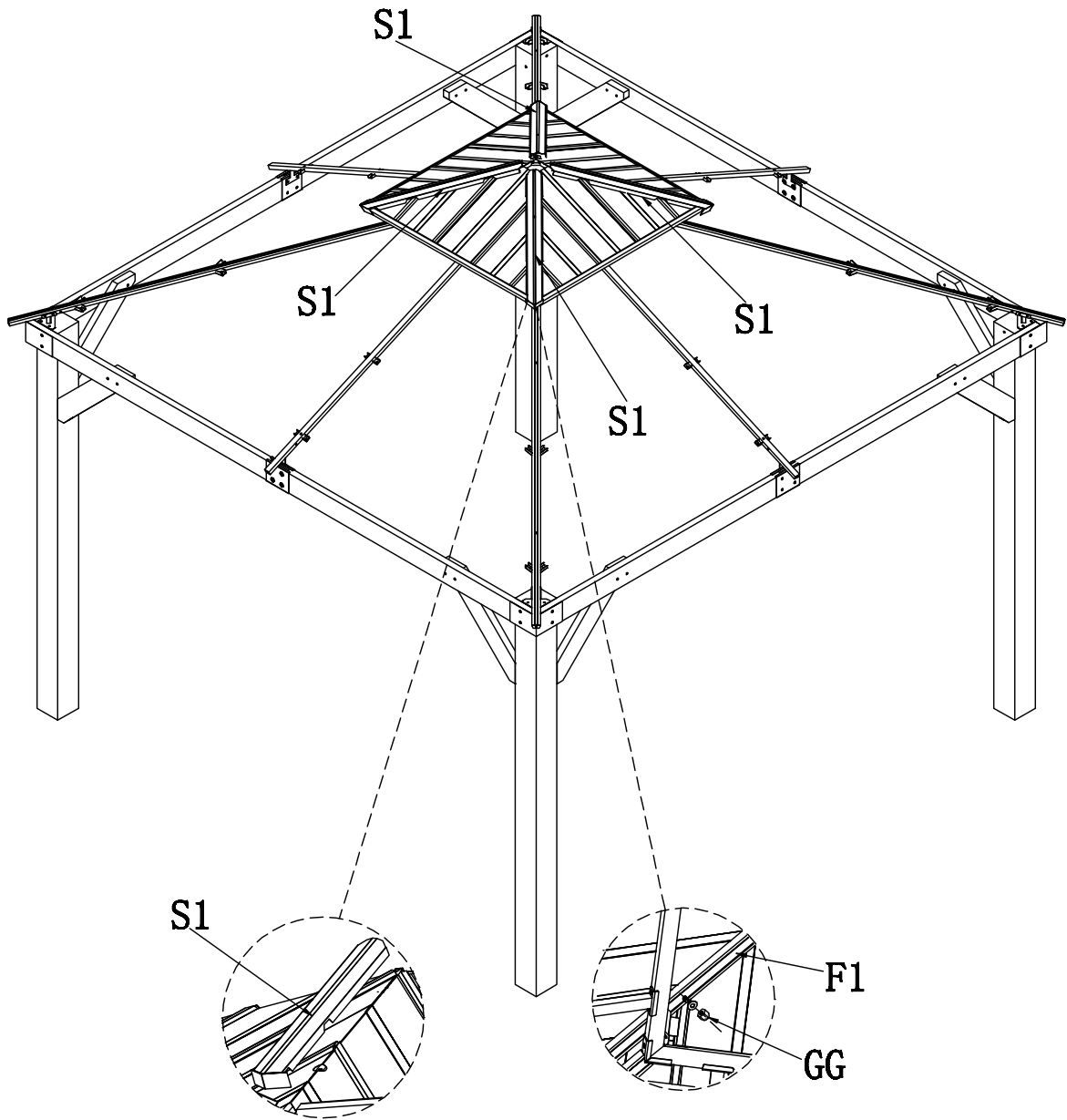
Ⓢ2 4X



M6*55

ⓀⓀ 12X

STEP. 18

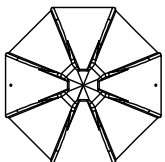
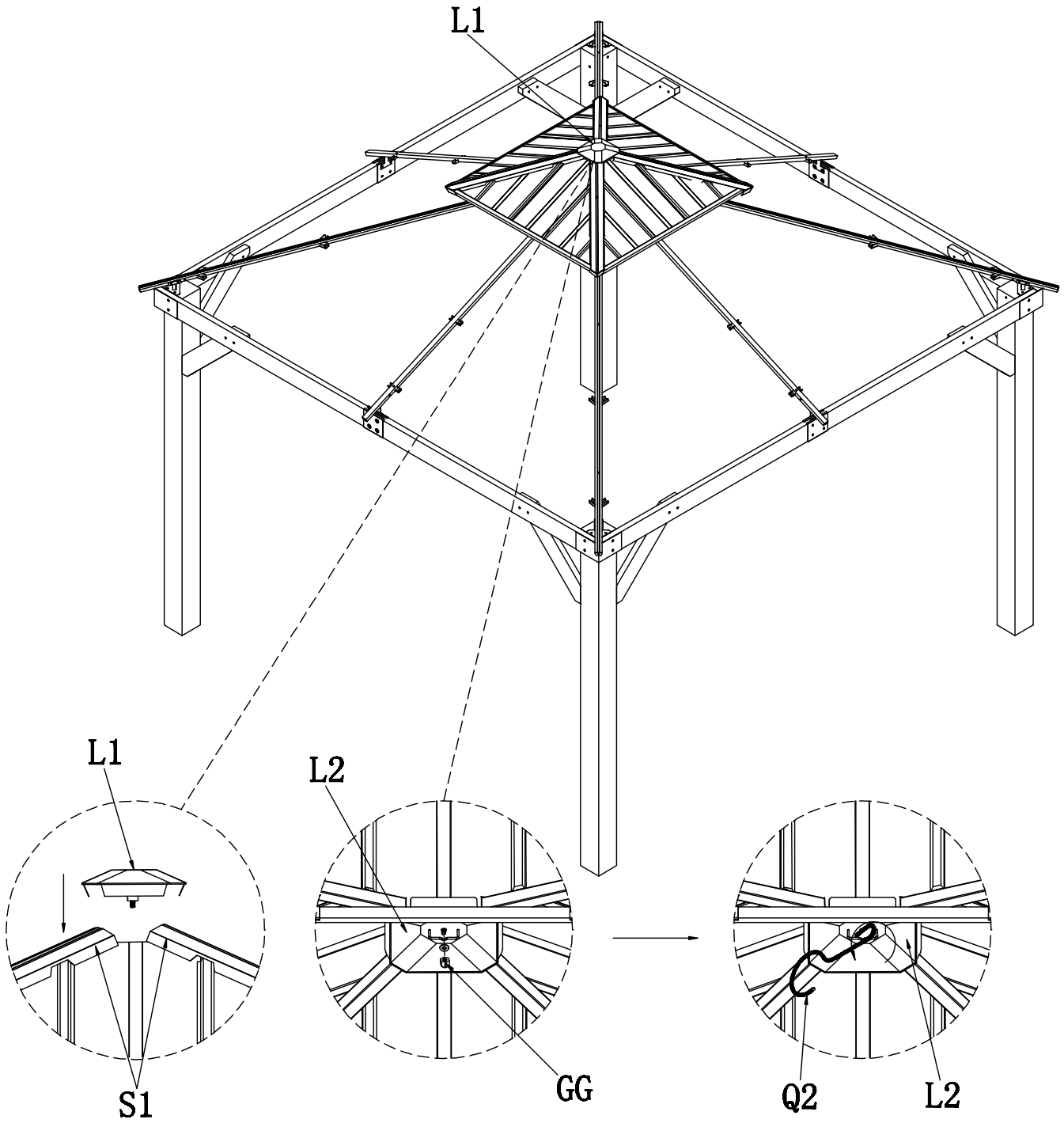


S1 4X



GG 4X

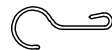
STEP. 19



L1 1X

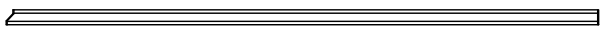
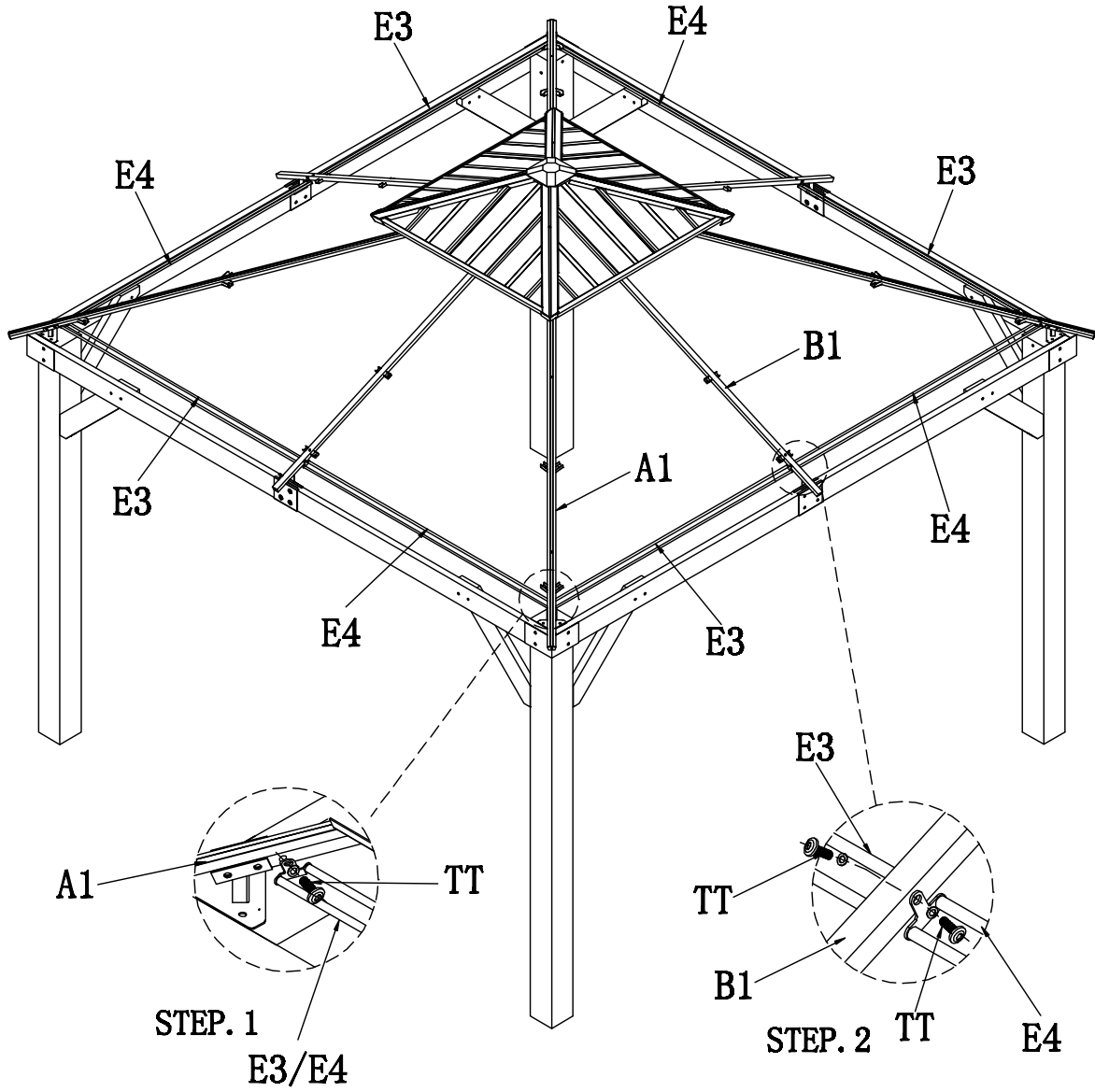


GG 1X

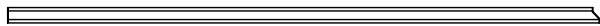


Q2 1X

STEP. 20



ⓔ3 4X



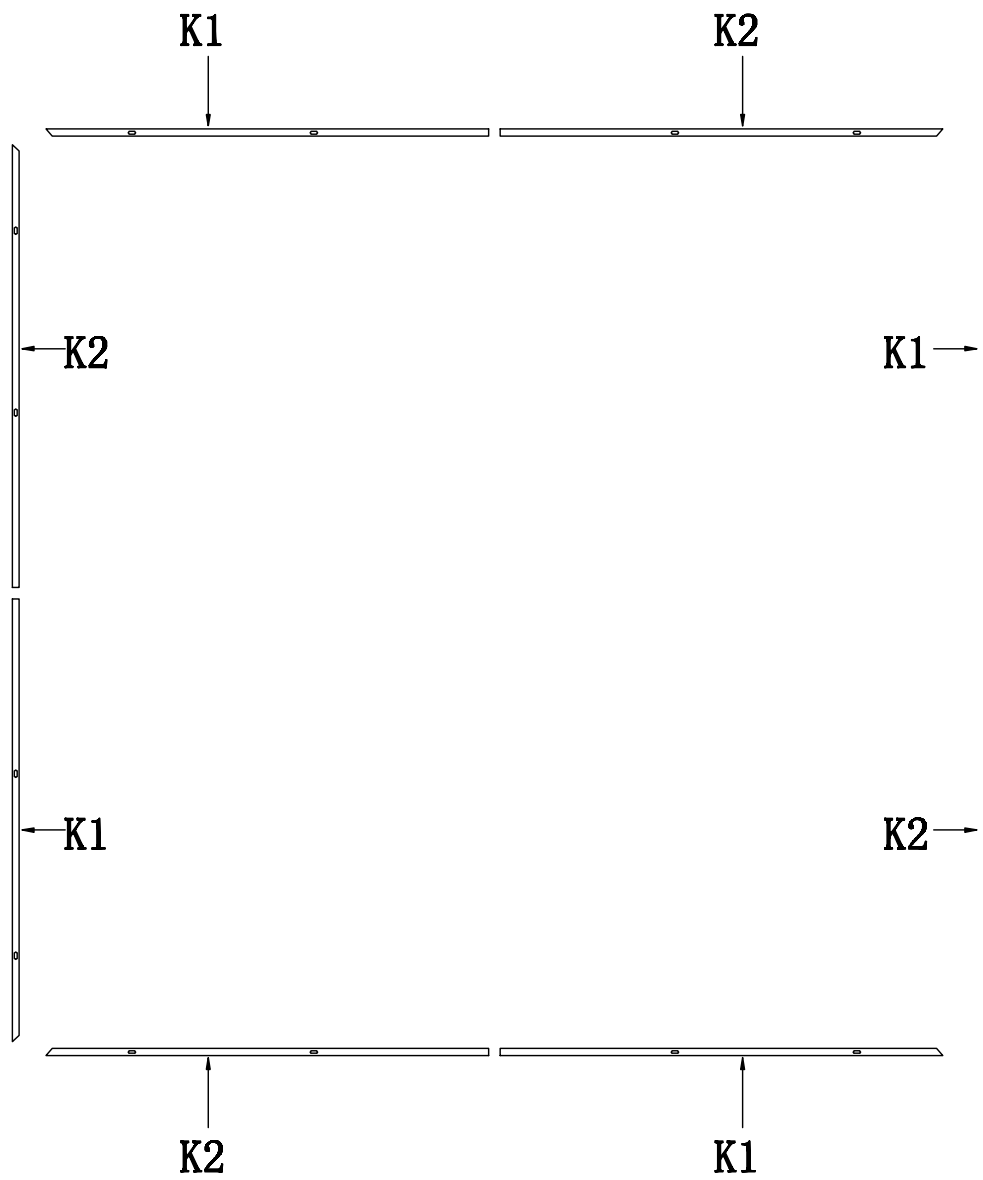
ⓔ4 4X



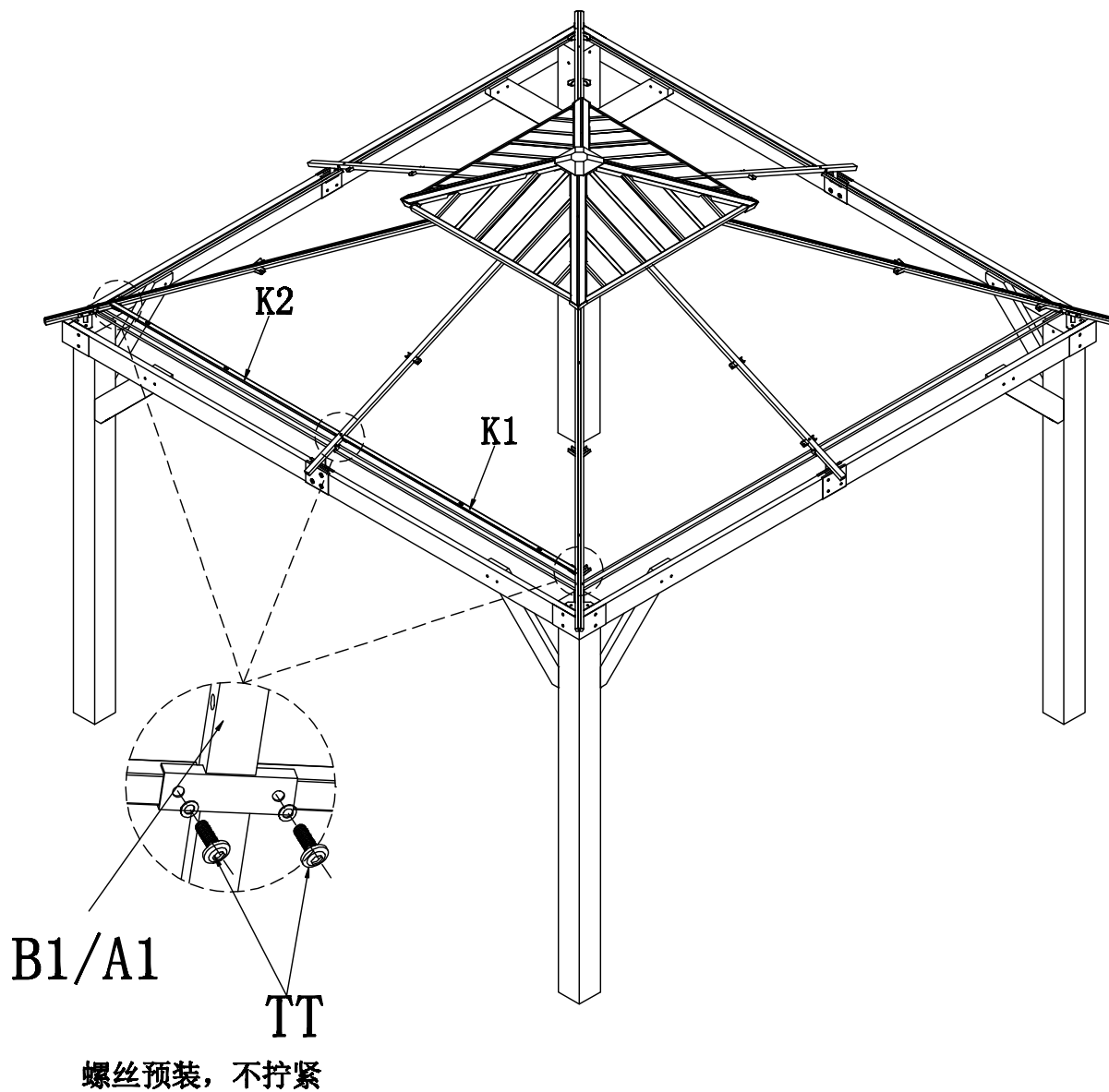
M6X15

ⓓ 16X

STEP. 21



STEP. 22



(K1) 4X



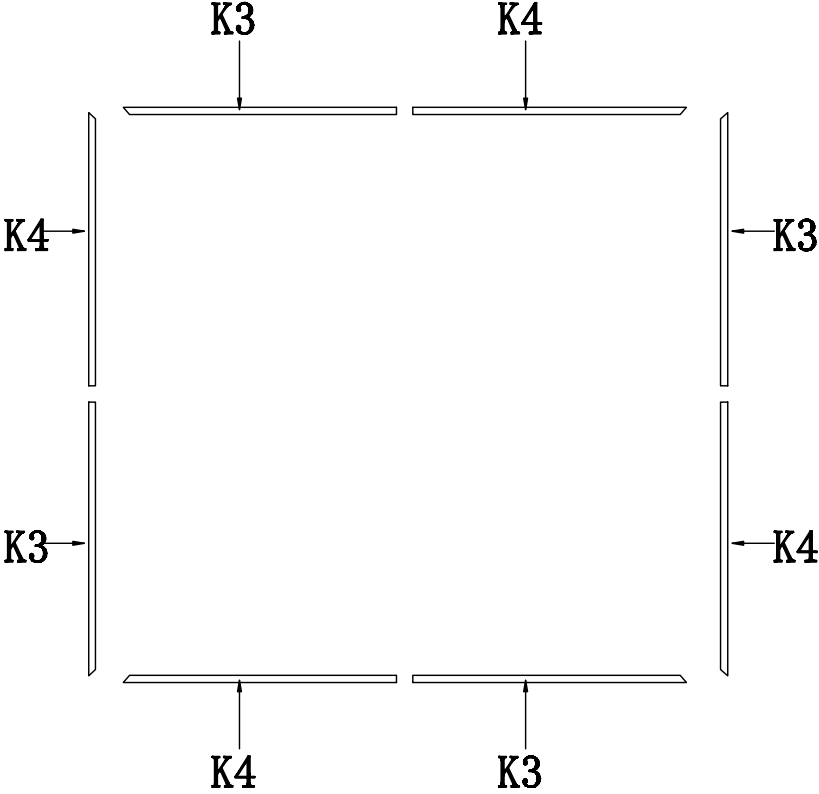
(K2) 4X



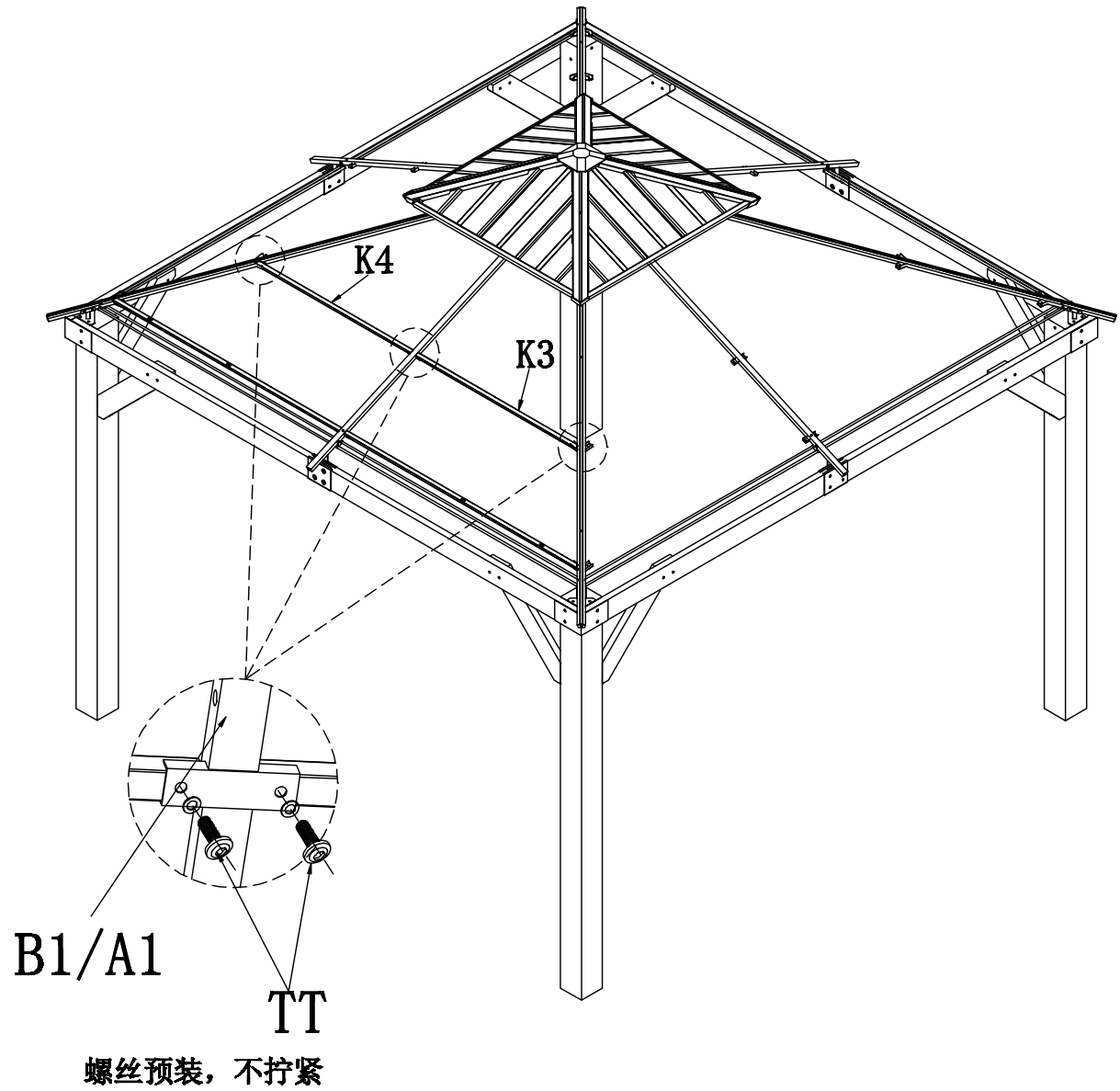
M6X15

(TT) 16X

STEP. 23



STEP. 24



(K3) 4X



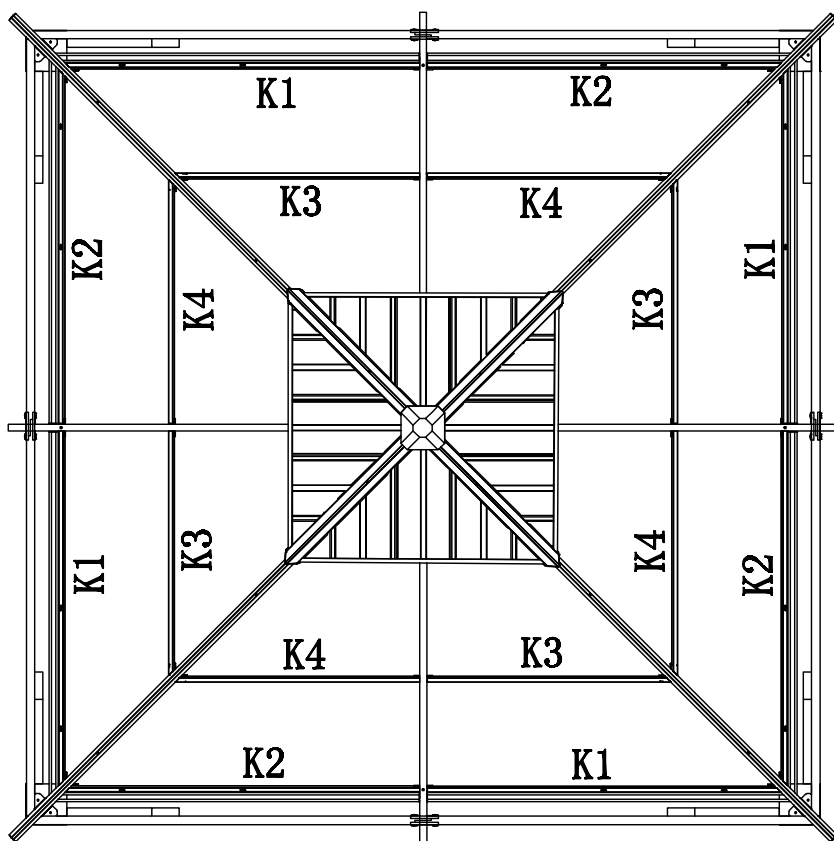
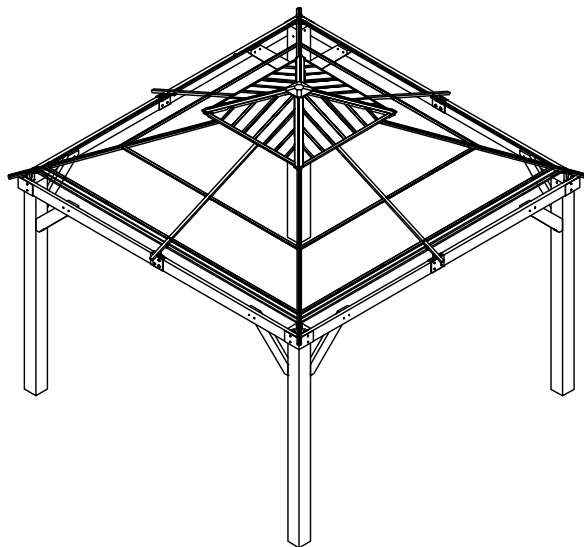
(K4) 4X



M6X15

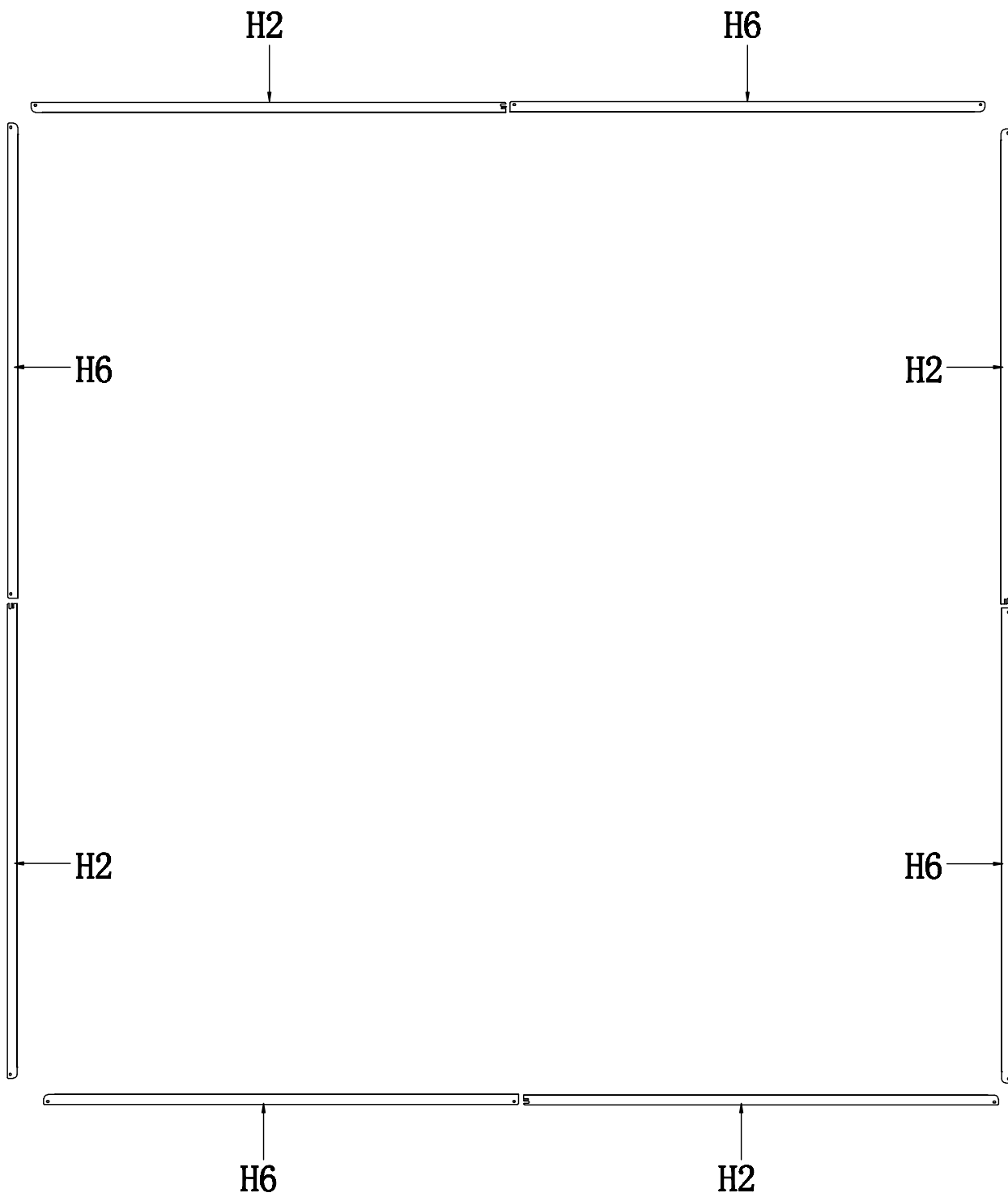
(TT) 16X

STEP. 25

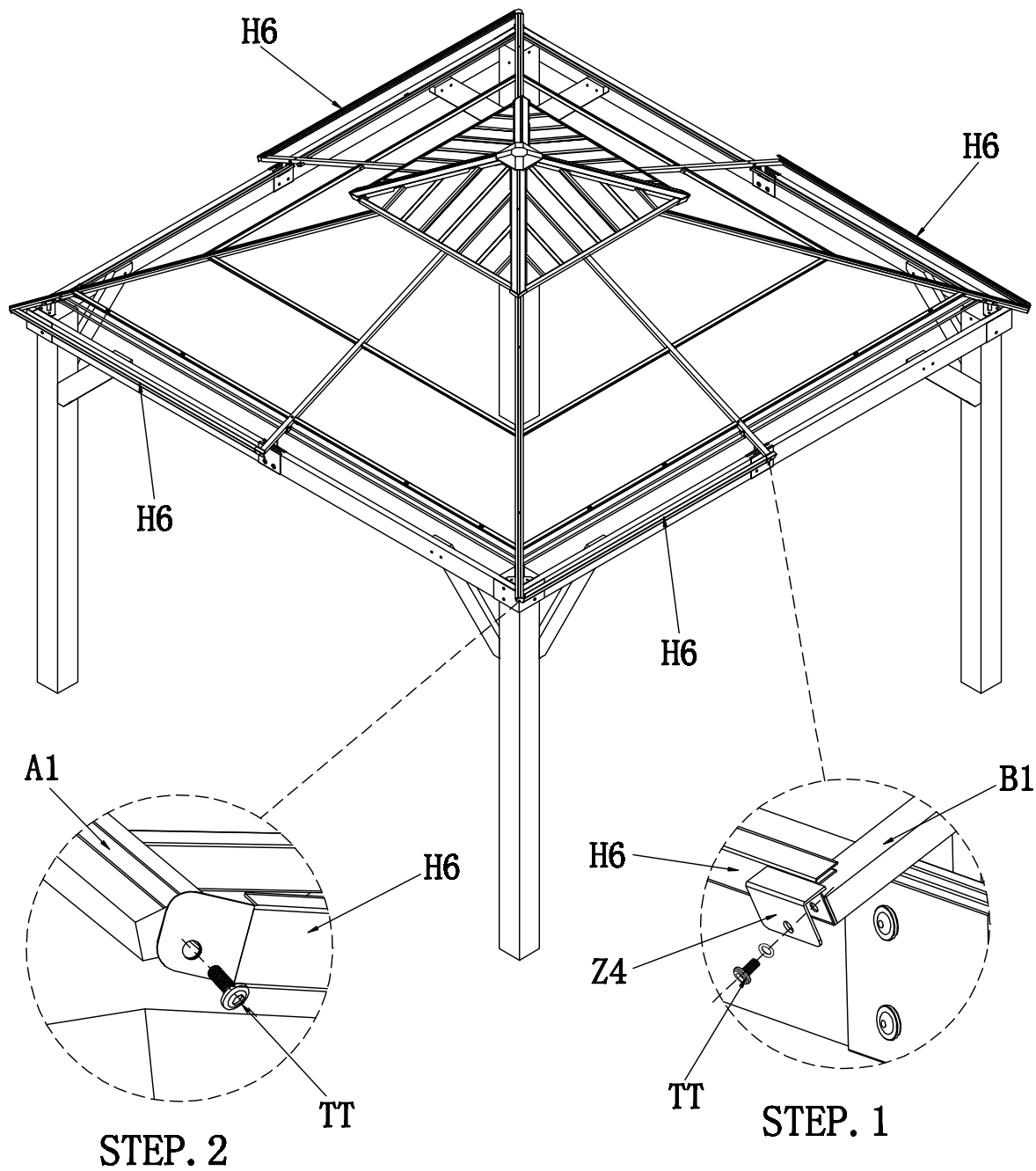


参考STEP. 20-21组装好另外3面

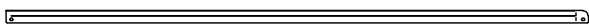
STEP. 26



STEP. 27



螺丝预装，只是捏上不让H6掉下来就行



H6 4X

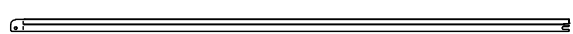
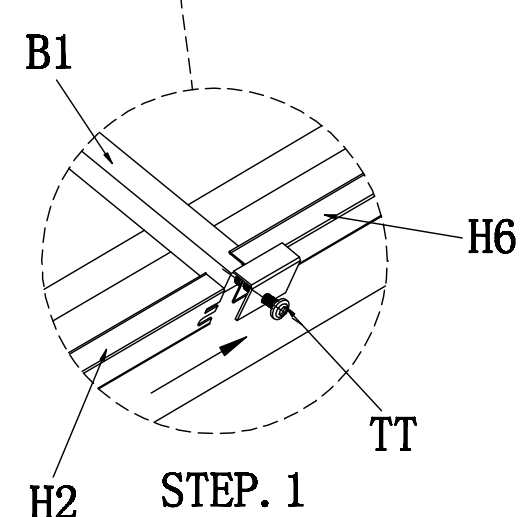
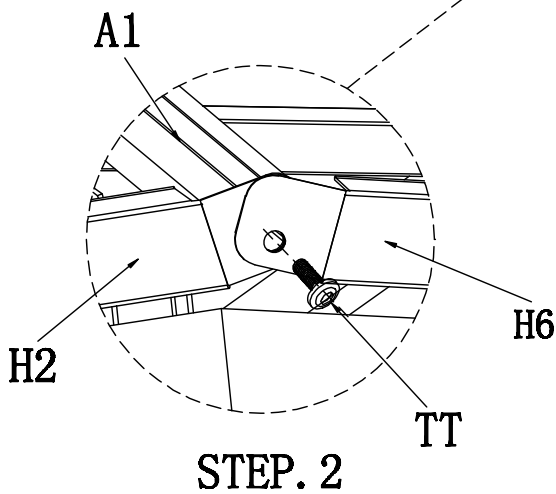
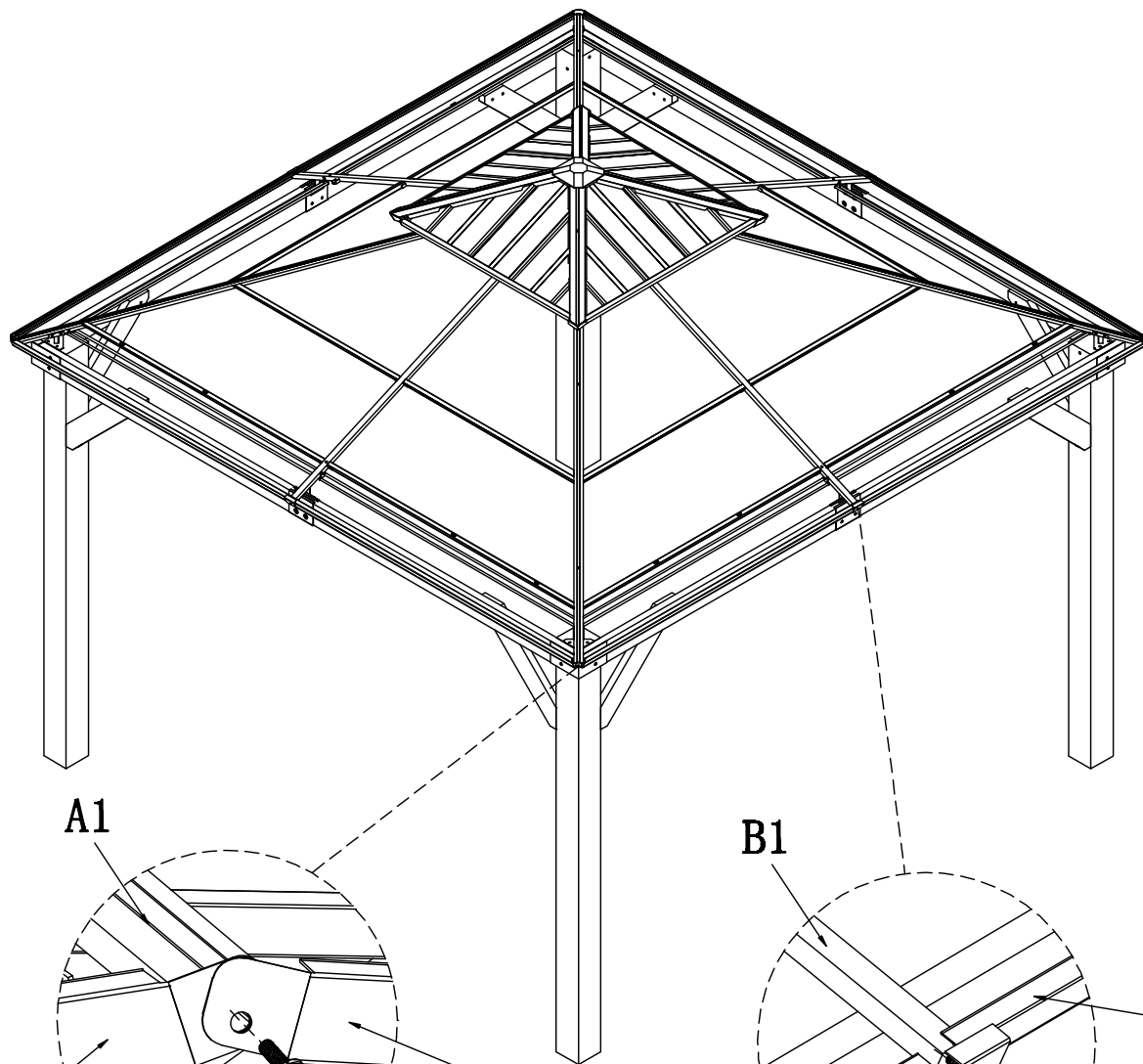


Z4 4X



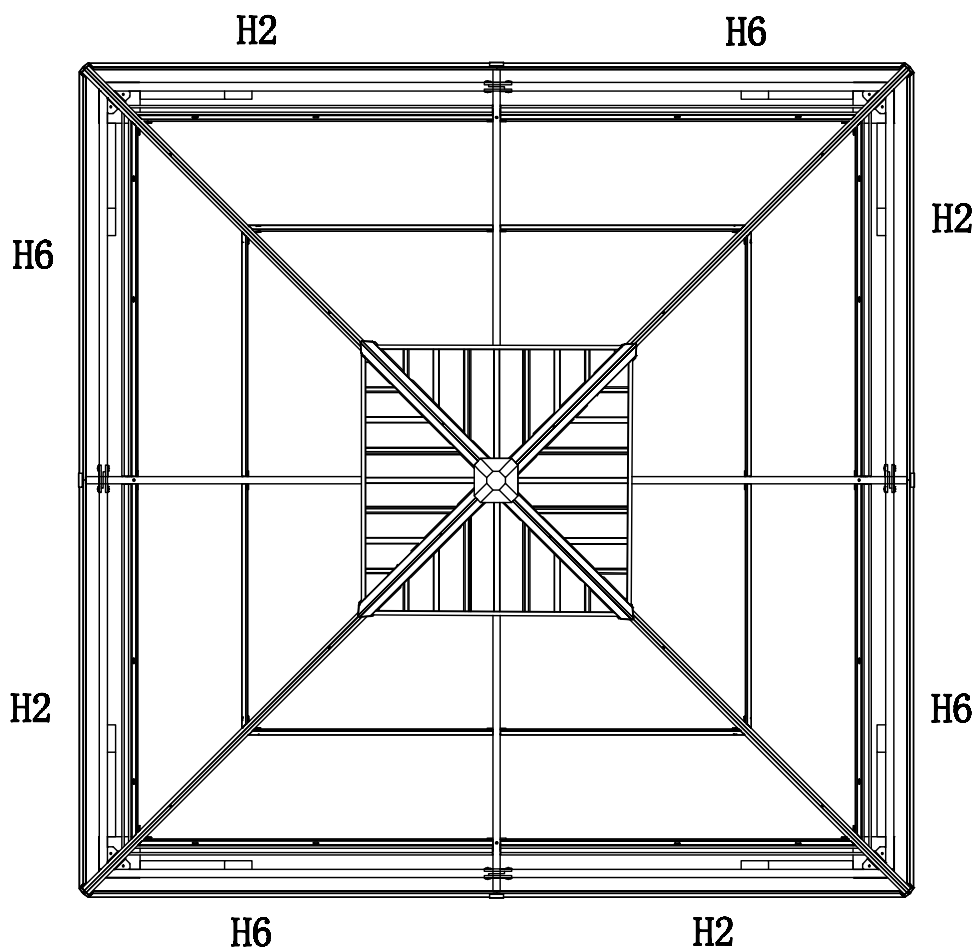
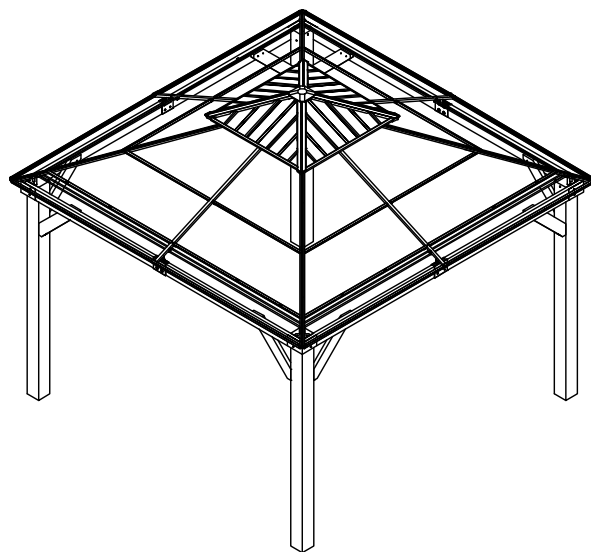
M6X15 TT 4X

STEP. 28



Ⓜ H2 4X

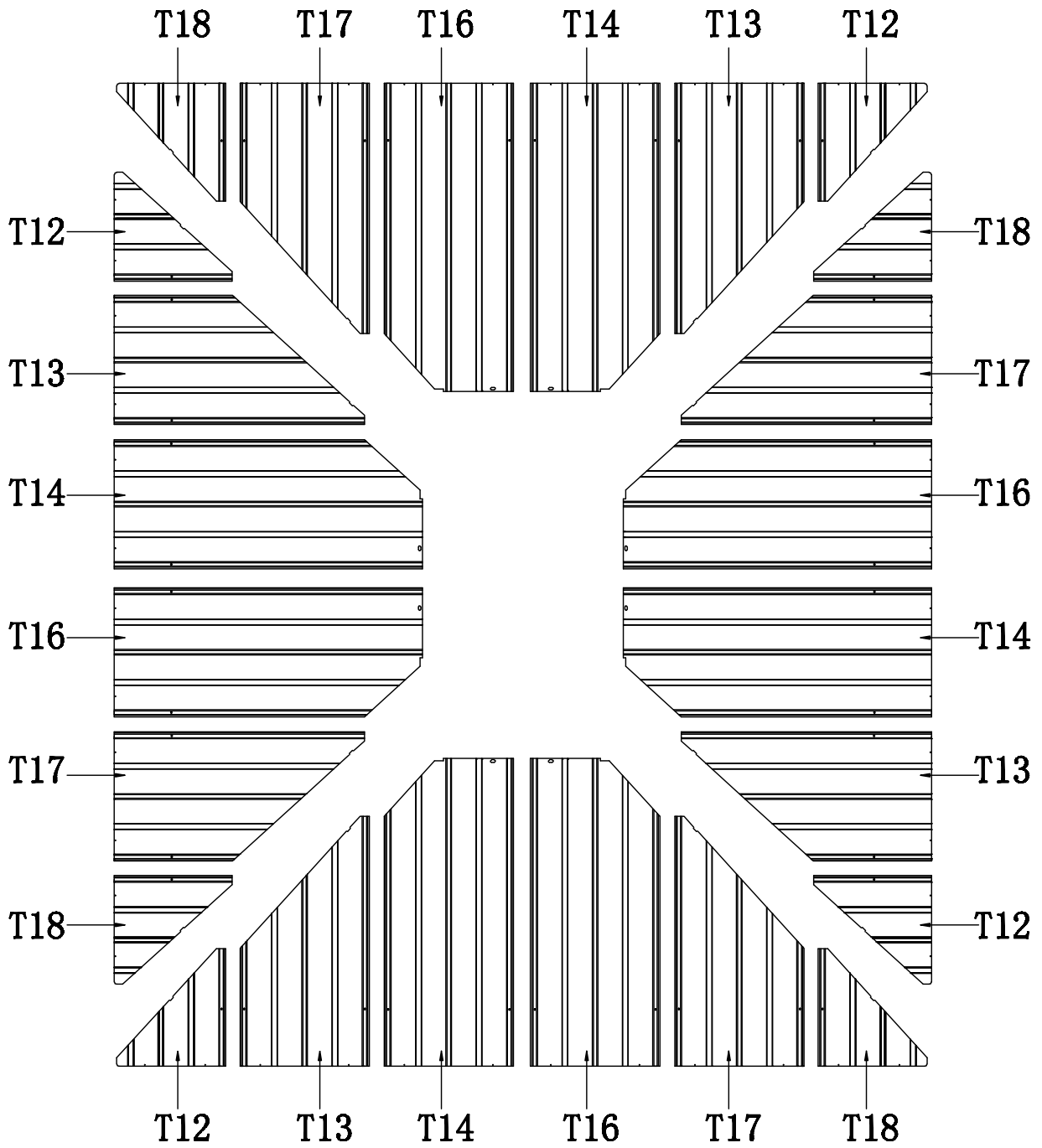
STEP. 29



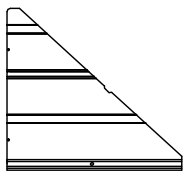
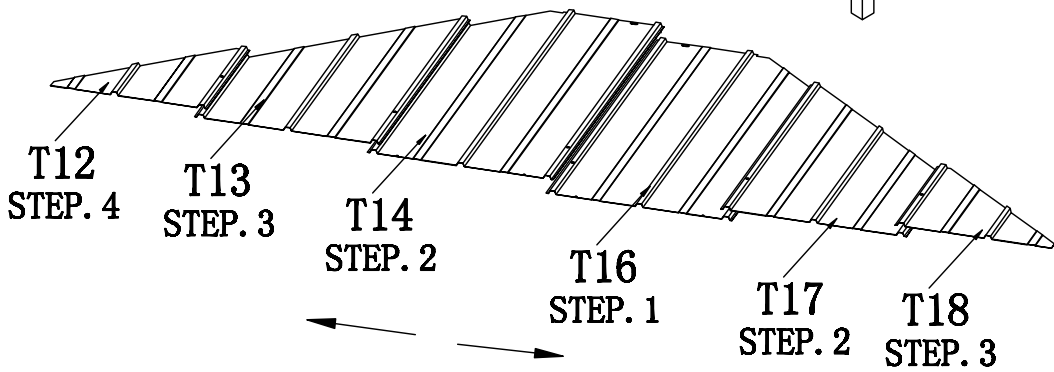
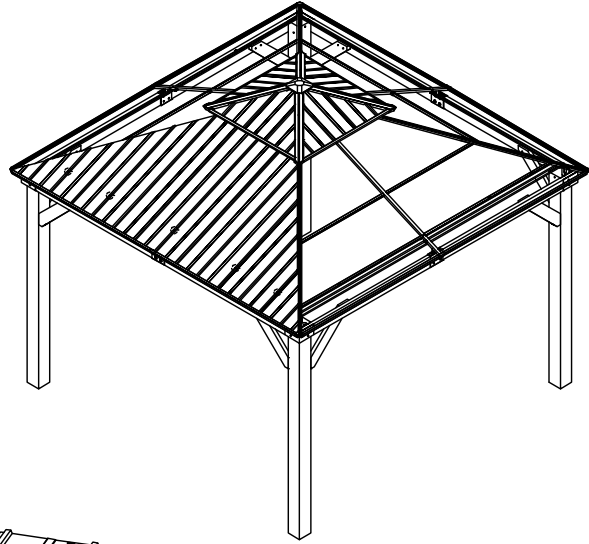
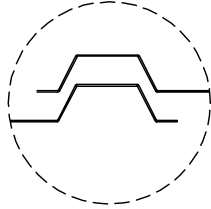
参考STEP. 23-24组装好H2/H6

前道工序所有预装的螺丝可以拧紧

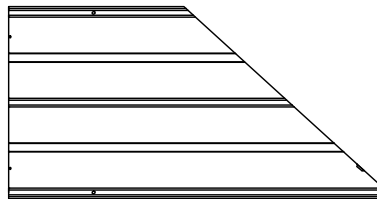
STEP. 30



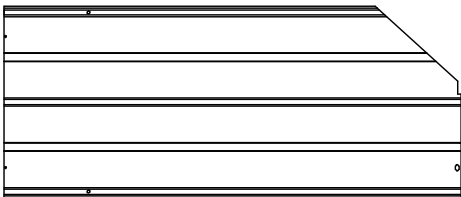
STEP. 31



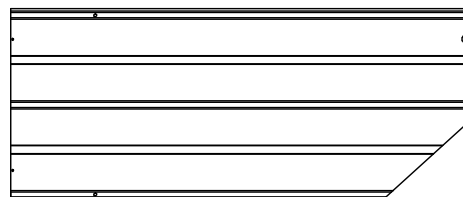
(T12) 4X



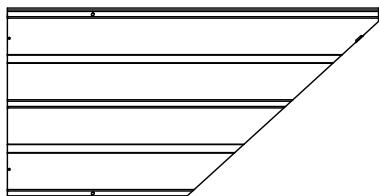
(T13) 4X



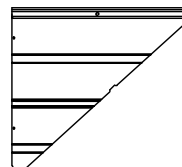
(T14) 4X



(T16) 4X

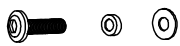
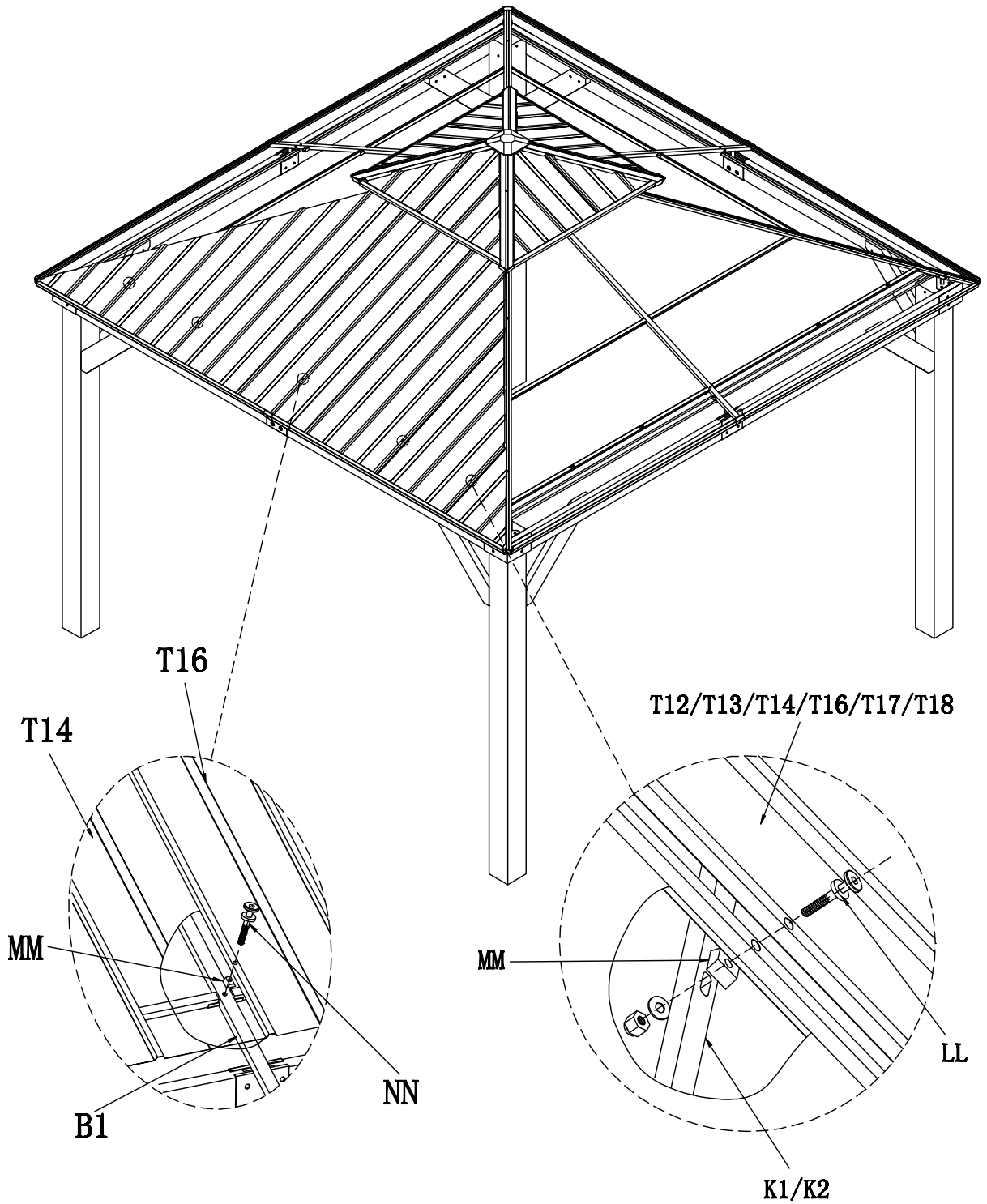


(T17) 4X



(T18) 4X

STEP. 32



M6X25

NN 4X



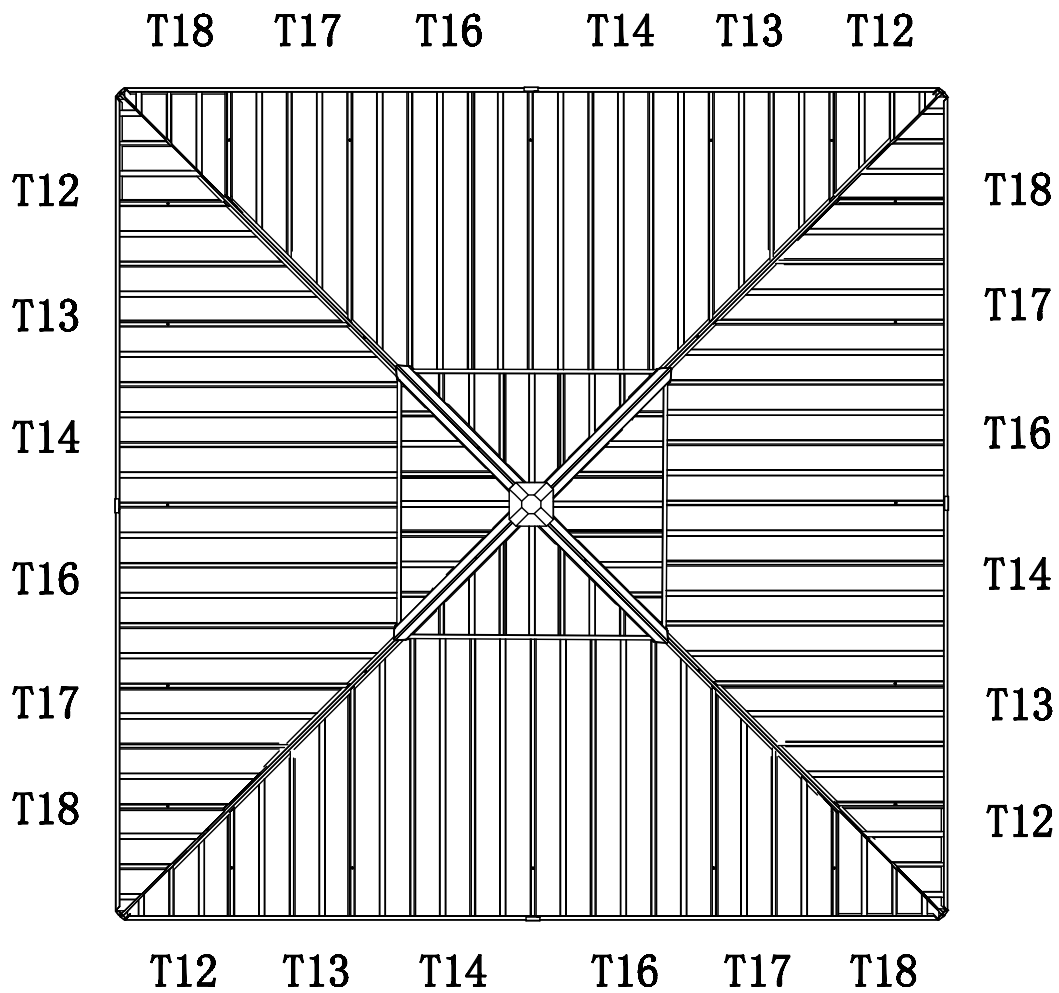
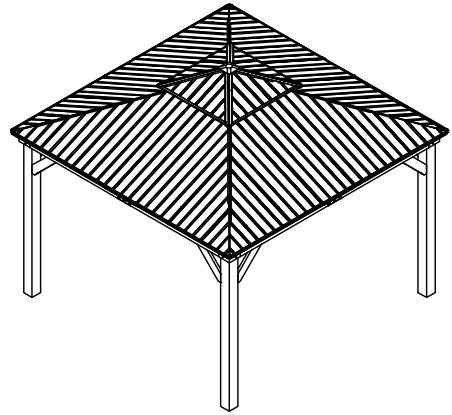
M6X45

LL 16X



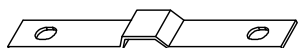
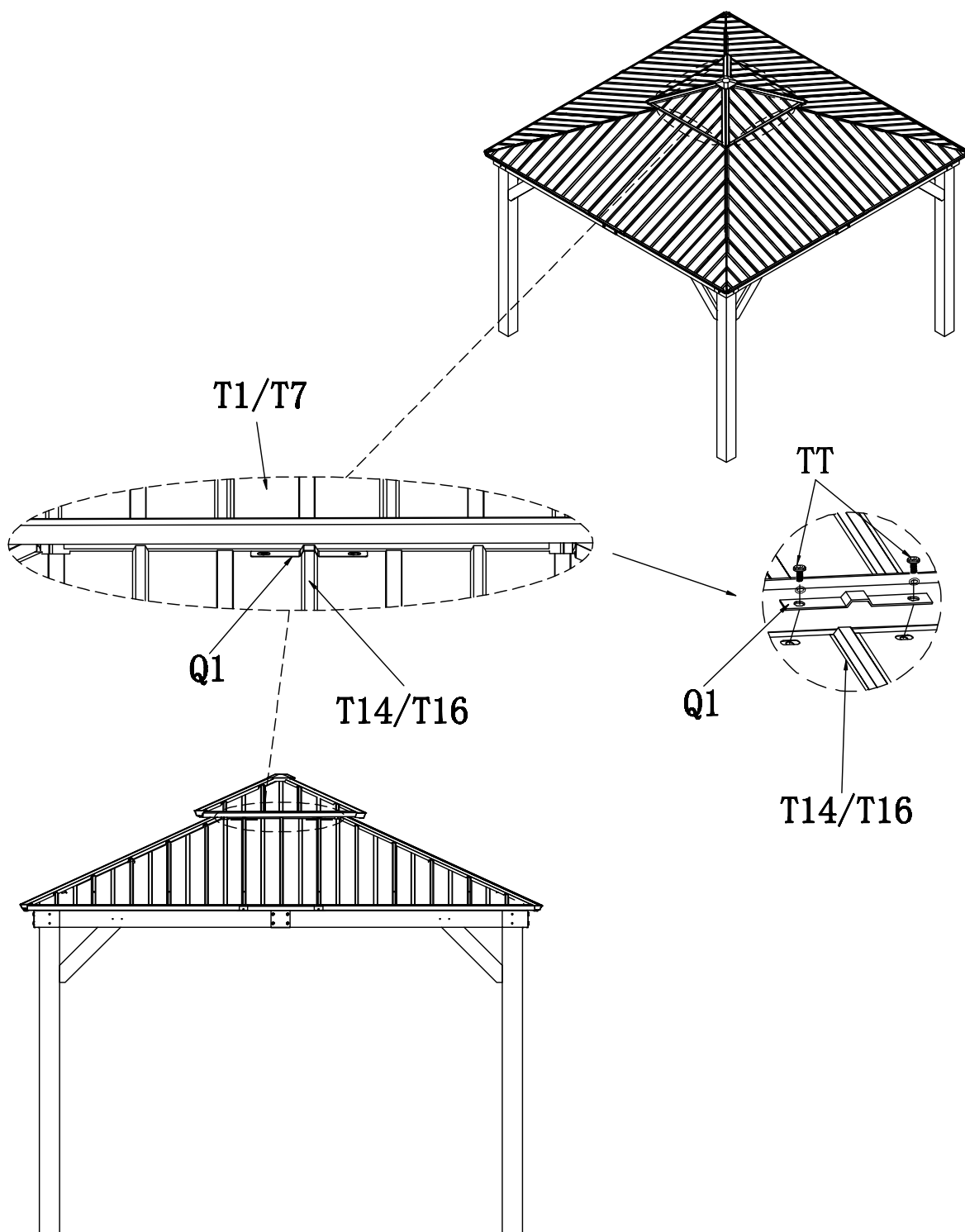
MM 20X

STEP. 33



参考STEP. 26-27组装好另外3面

STEP. 34



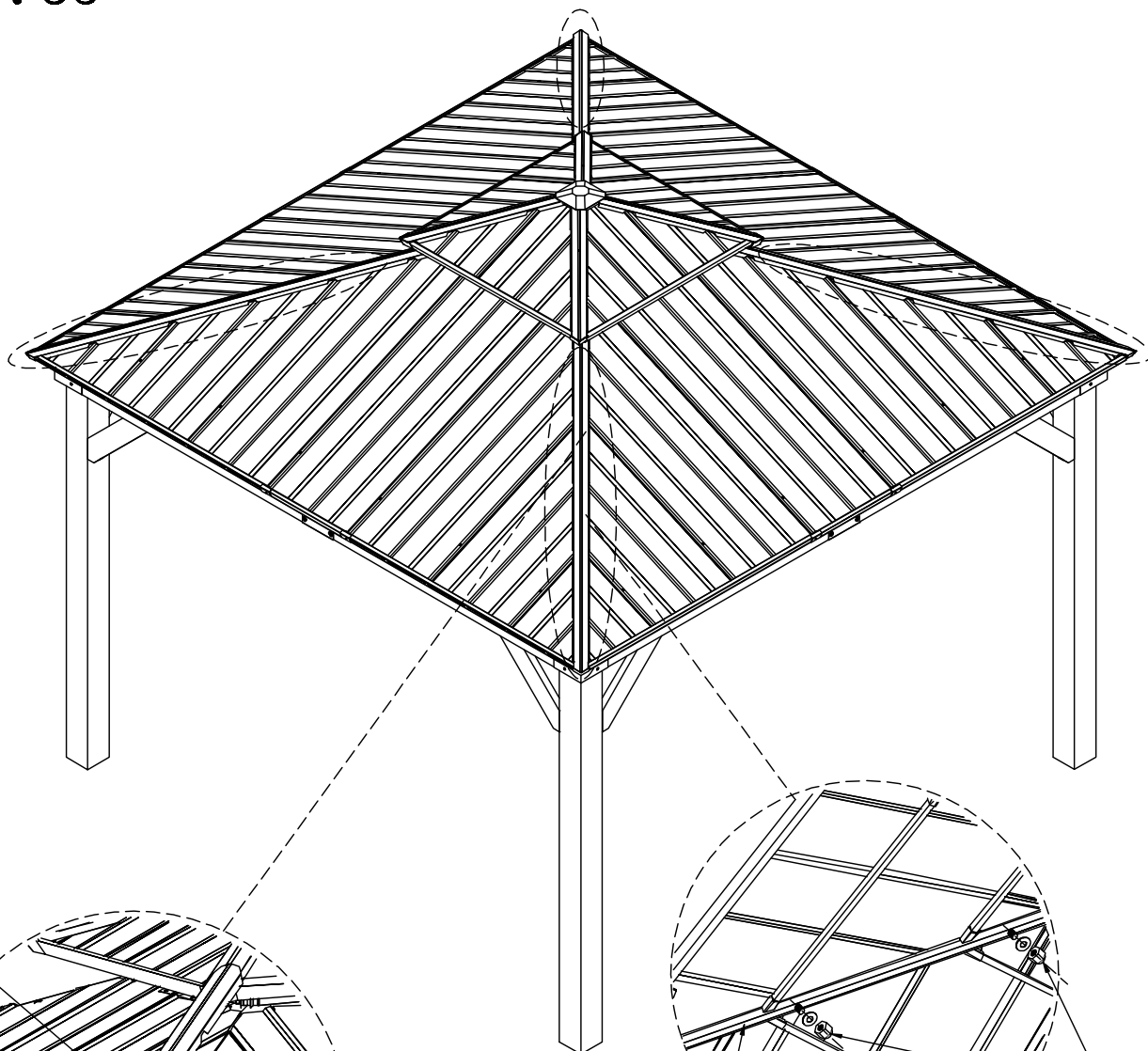
Q1 4X



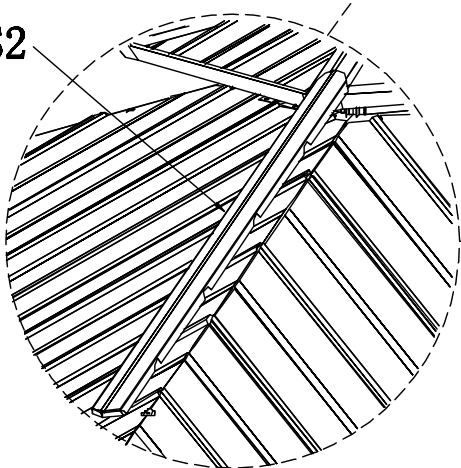
M6X15

TT 8X

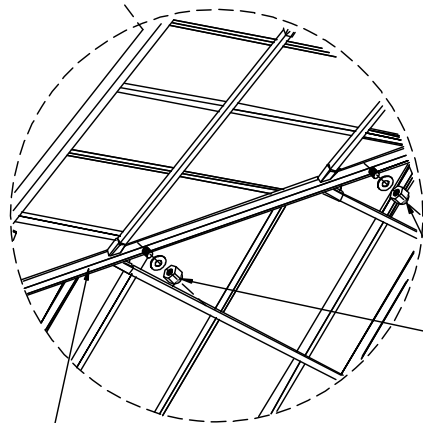
STEP. 35



S2



GG



A1

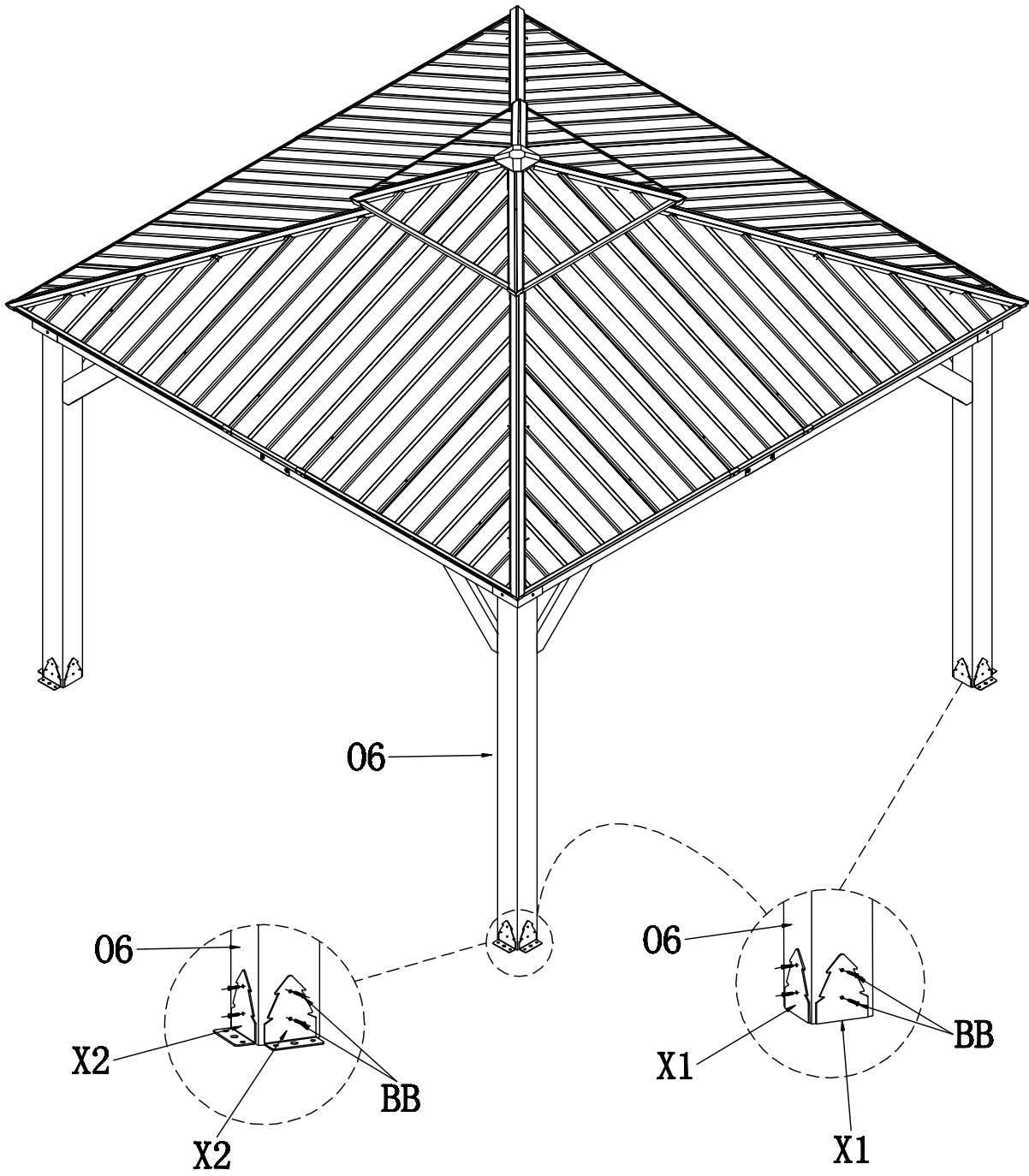


S2 4X



8X

STEP. 36



⊗ X1 8X



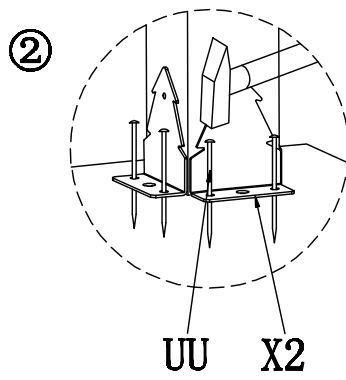
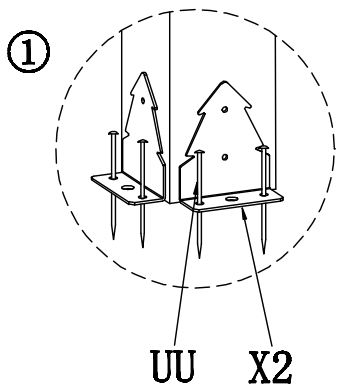
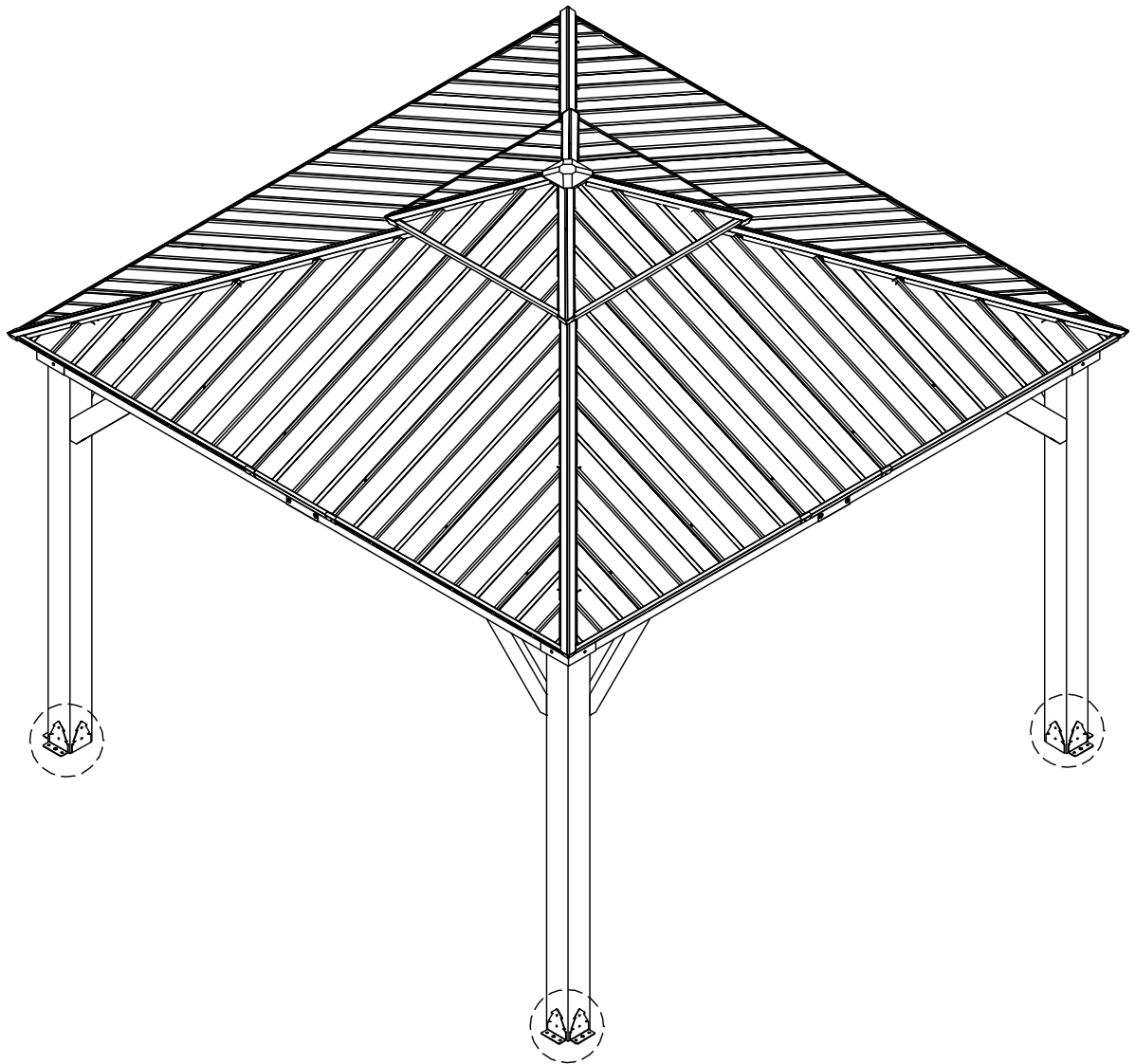
⊗ X2 8X



⊕ BB 32X

M5X30

STEP. 37



UU 16X