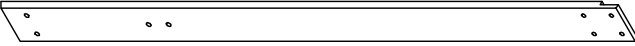
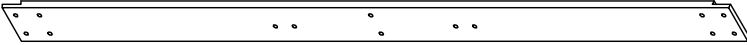
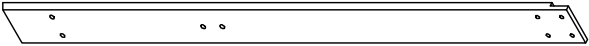
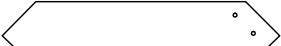
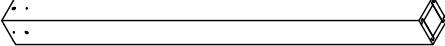
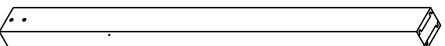
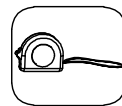
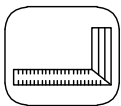
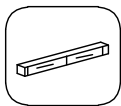
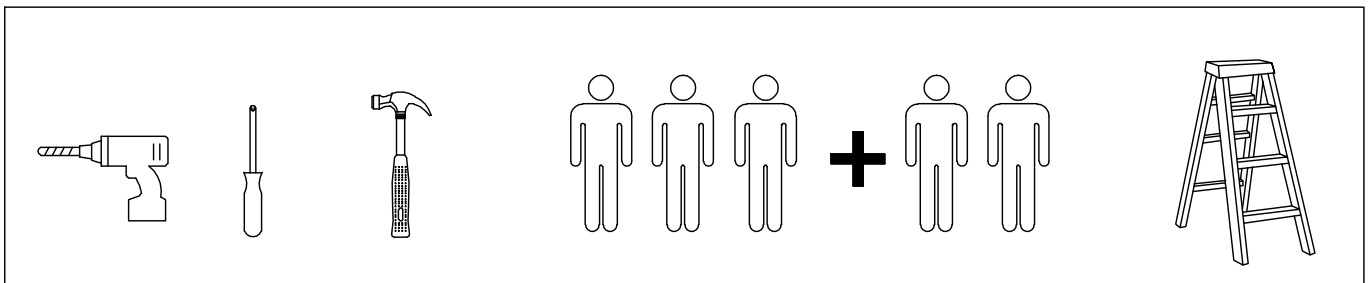

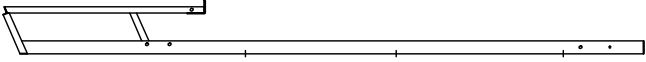

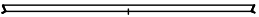
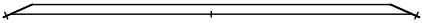
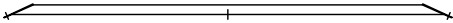
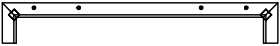
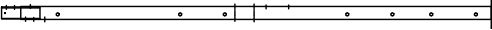
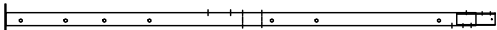
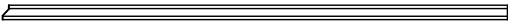


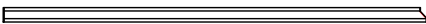

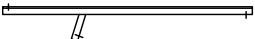

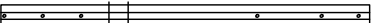
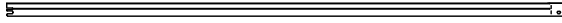

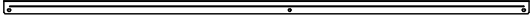





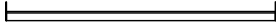
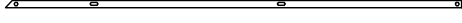


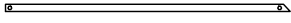

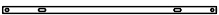

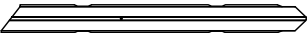

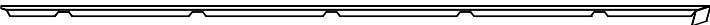

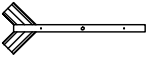
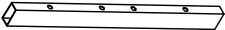
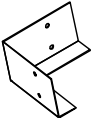
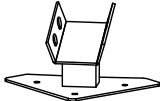



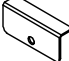




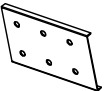
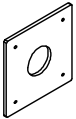
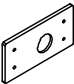
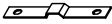



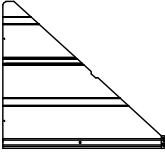
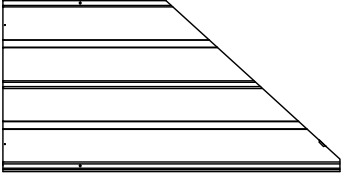
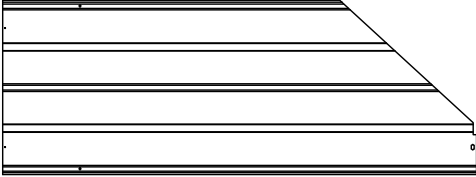
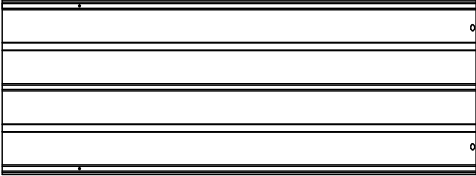
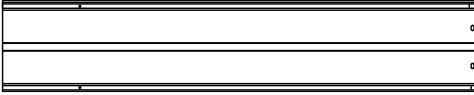
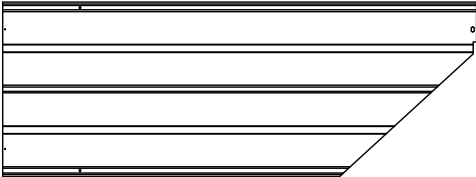
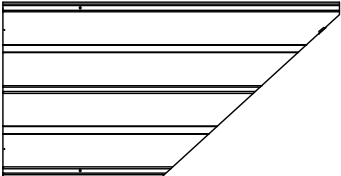
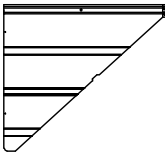
<b>01</b>	<b>4</b>	
<b>02</b>	<b>2</b>	
<b>03</b>	<b>4</b>	
<b>05</b>	<b>12</b>	
<b>06</b>	<b>4</b>	
<b>07</b>	<b>2</b>	

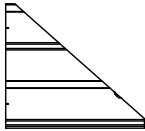
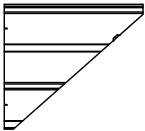
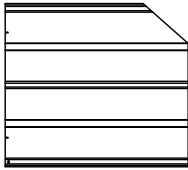


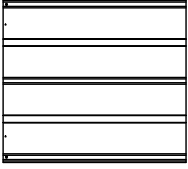
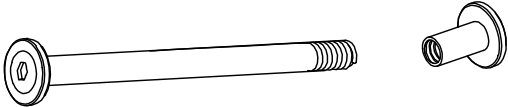

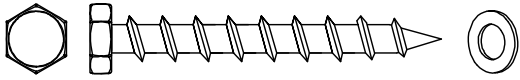
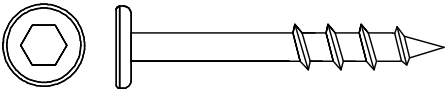
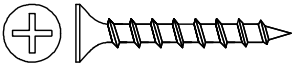
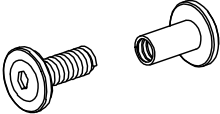


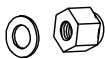
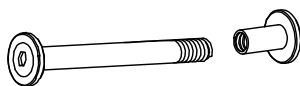

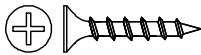


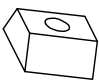

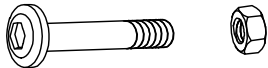
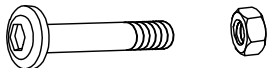
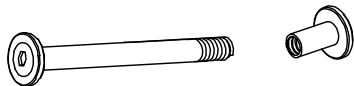
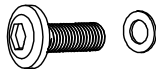
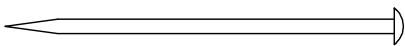
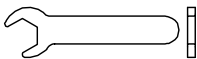
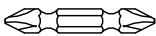
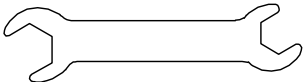
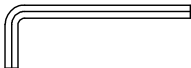
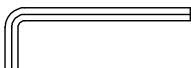
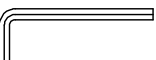
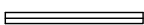
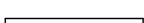
<b>A1</b>	<b>4</b>	
<b>B1</b>	<b>2</b>	
<b>B2</b>	<b>12</b>	
<b>C3</b>	<b>2</b>	
<b>C4</b>	<b>1</b>	
<b>C5</b>	<b>2</b>	
<b>D1</b>	<b>2</b>	
<b>D2</b>	<b>2</b>	
<b>D3</b>	<b>2</b>	
<b>E1</b>	<b>2</b>	
<b>E2</b>	<b>2</b>	
<b>E3</b>	<b>2</b>	
<b>E4</b>	<b>2</b>	
<b>E5</b>	<b>4</b>	
<b>F1</b>	<b>4</b>	
<b>F2</b>	<b>4</b>	
<b>G1</b>	<b>2</b>	

<b>H1</b>	<b>4</b>	 F
<b>H2</b>	<b>4</b>	 F
<b>H3</b>	<b>2</b>	 F
<b>H4</b>	<b>2</b>	 F
<b>H5</b>	<b>2</b>	 F
<b>I1</b>	<b>2</b>	
<b>I2</b>	<b>2</b>	
<b>I3</b>	<b>2</b>	
<b>I4</b>	<b>4</b>	
<b>K1</b>	<b>4</b>	
<b>K2</b>	<b>4</b>	
<b>K3</b>	<b>4</b>	
<b>K4</b>	<b>4</b>	
<b>K5</b>	<b>4</b>	

K26	8				
K31	8				
S1	2				
S2	2				
S3	4				
S4	2				
L1	2				
L2	1				
M2	4		N1	4	
Z1	12		Z2	4	
Z3	2		Z4	10	
Z5	4		Z6	2	
X1	10		X2	10	
X3	12		X5	4	
X6	2		Q1	20	
Q2	2				

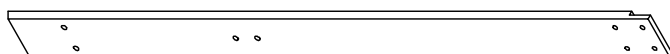
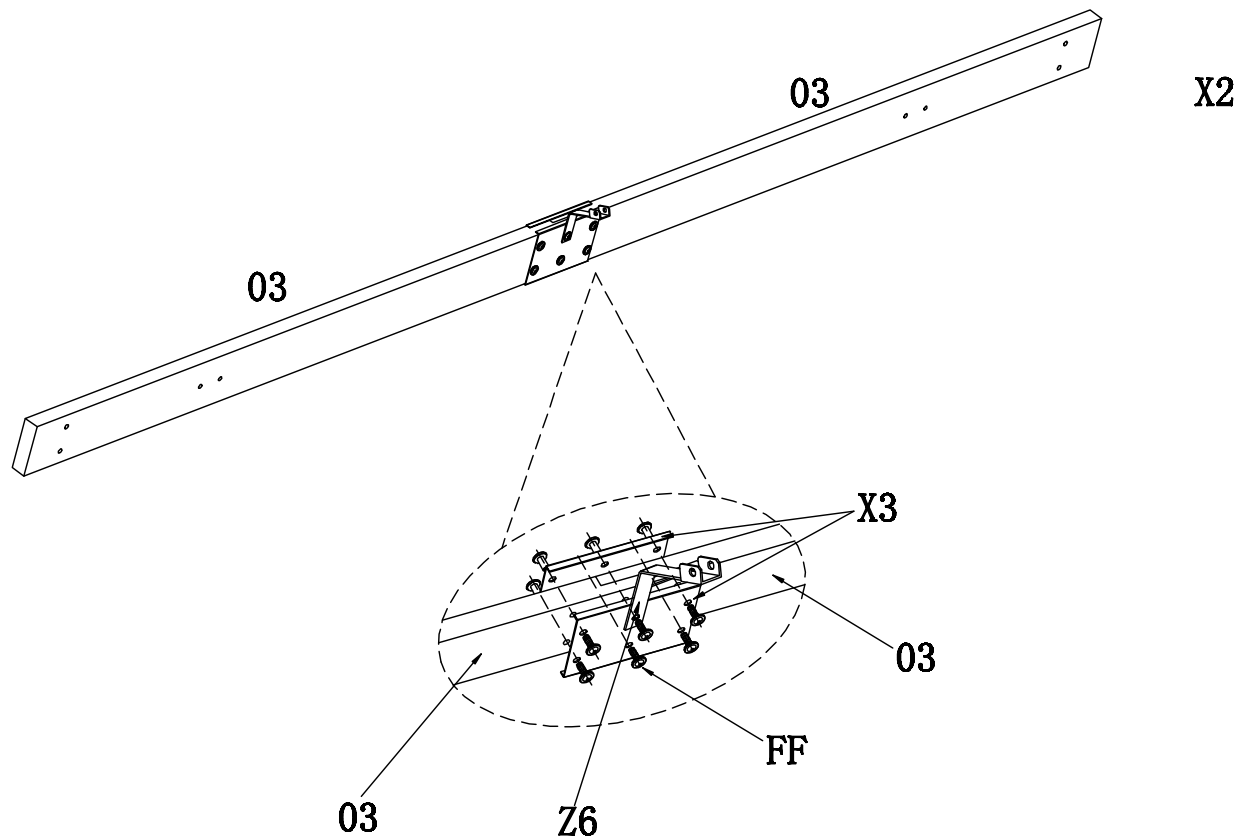
<p><b>T12</b></p>	<p><b>4</b></p>	
<p><b>T13</b></p>	<p><b>4</b></p>	
<p><b>T42</b></p>	<p><b>4</b></p>	
<p><b>T43</b></p>	<p><b>10</b></p>	
<p><b>T44</b></p>	<p><b>6</b></p>	
<p><b>T45</b></p>	<p><b>4</b></p>	
<p><b>T17</b></p>	<p><b>4</b></p>	
<p><b>T18</b></p>	<p><b>4</b></p>	

<b>T33</b>	<b>4</b>		<b>T36</b>	<b>6</b>	
<b>T34</b>	<b>4</b>		<b>T37</b>	<b>2</b>	
<b>T35</b>	<b>4</b>		<b>T38</b>	<b>6</b>	
<b>AA</b>	<b>8</b>	<b>M8X165</b>			
<b>BB</b>	<b>68+4</b>	<b>M5X30</b>			
<b>CC</b>	<b>8</b>	<b>M10*80</b>			
<b>DD</b>	<b>12</b>	<b>M6*70</b>			
<b>EE</b>	<b>12+2</b>	<b>M5*40</b>			
<b>FF</b>	<b>36+2</b>	<b>M8*25</b>			

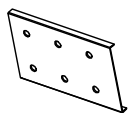
GG	16+2	M6		
HH	24+1	M8X60		
II	4	M6X70		
JJ	24+1	M5X20		
KK	14+1	M6X55		
LL	28+2	M6X45		
MM	40+1			
NN	12+1	M6X25		
OO	16+1	M6X45		
PP	2	M6X35		
QQ	4	M8X105		
TT	280+15	M6X15		
UU	20	6X200		
Y1	1	M6		
Y2	1	M6		
Y3	2	M10		
Y4	2	M8		对边6
Y5	2	M8		对边5
Y6	2	M6		对边4
Y7	1	M6		加长对边4
Y8	1	M8		加长对边5



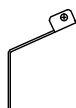
# STEP. 1



⓪3 4X



⓪3 4X



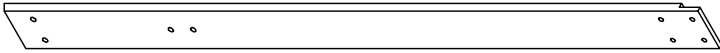
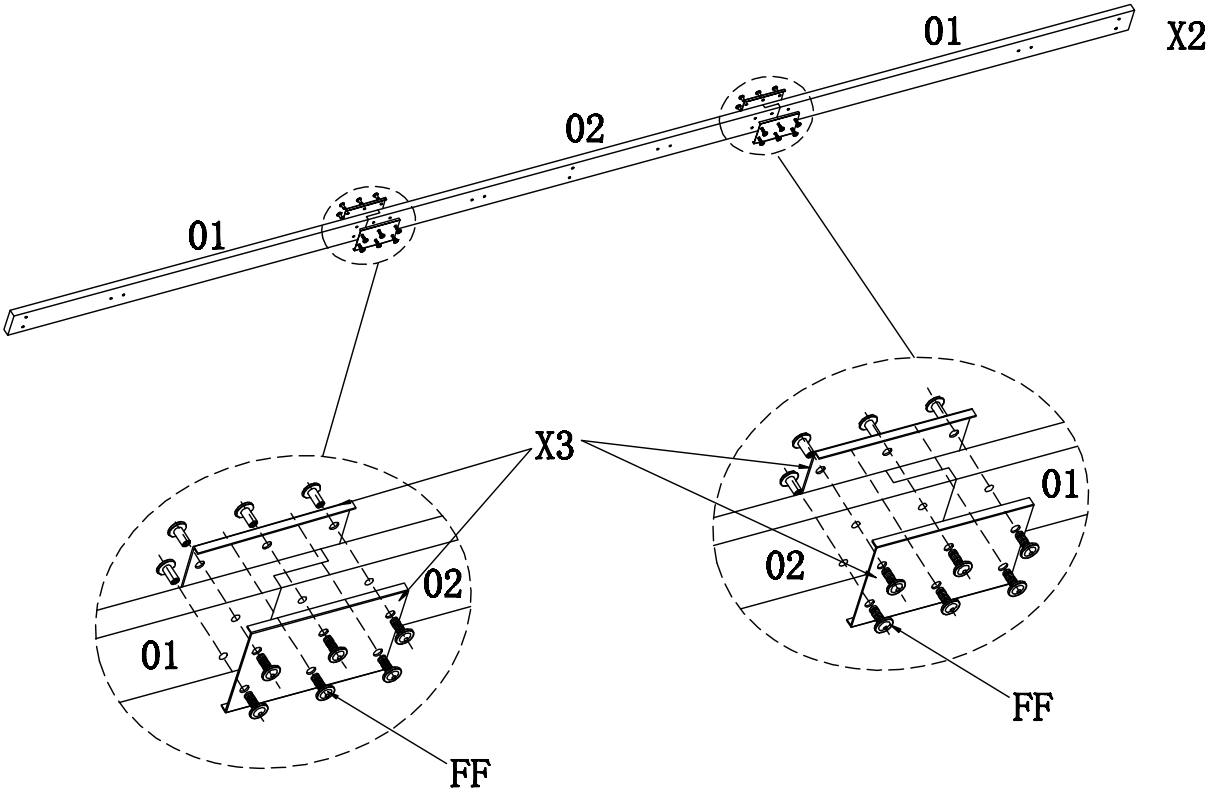
Z6 2X



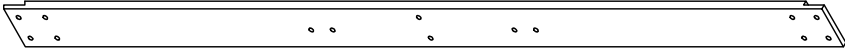
M8\*25

⓪F 12X

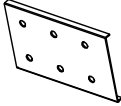
# STEP. 2



01 4X



02 2X



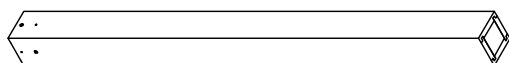
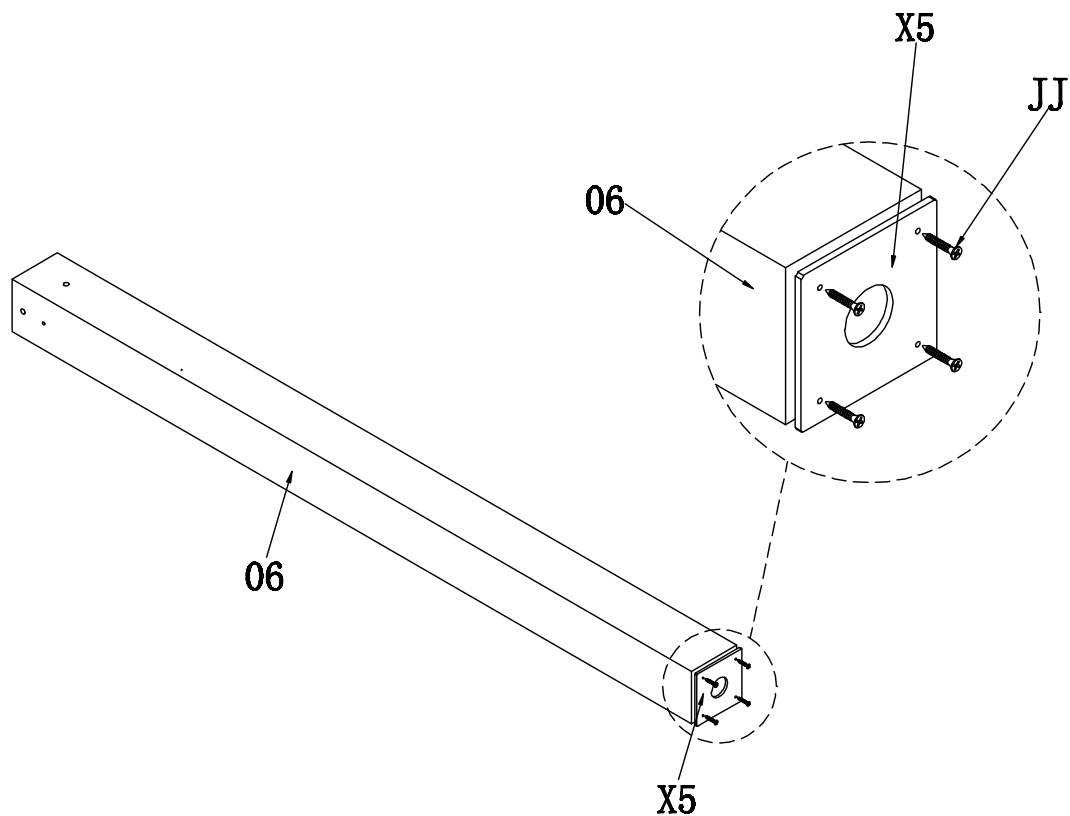
X3 8X



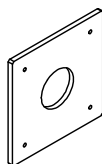
M8\*25

FF 24X

# STEP. 3



06 4X

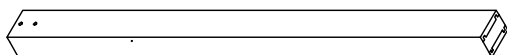
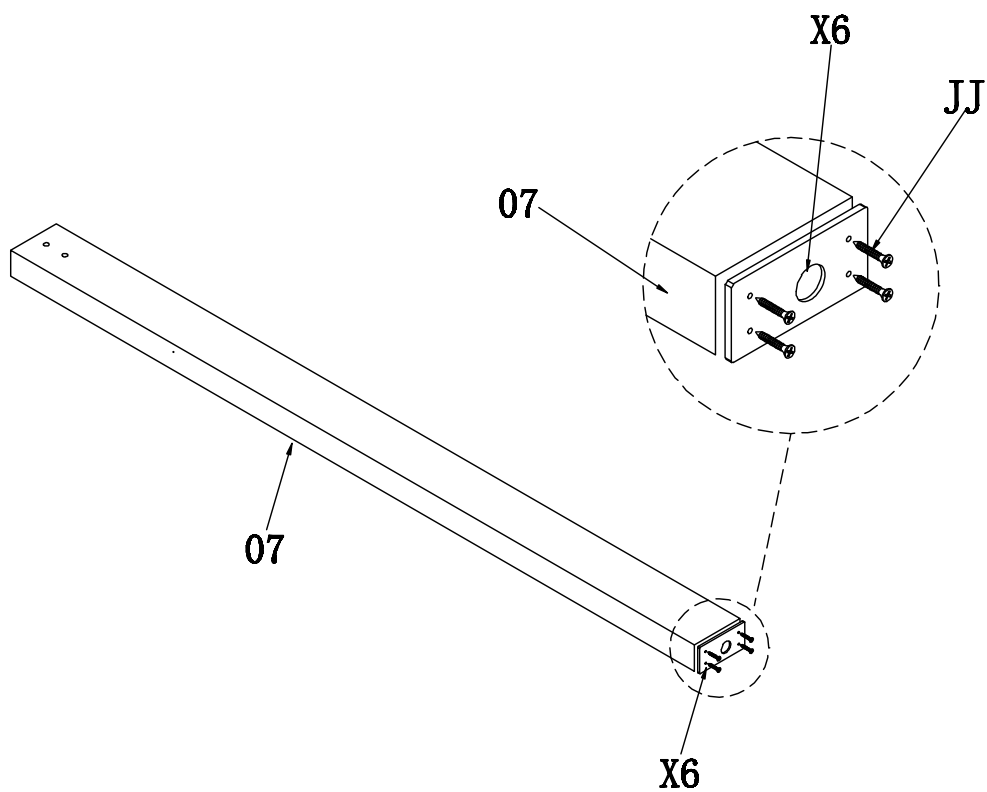


X5 4X

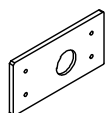


JJ 16X

# STEP. 4



07 2X



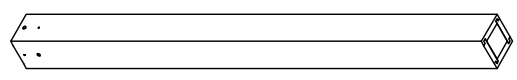
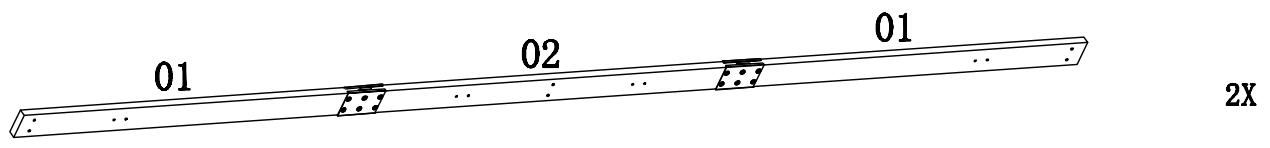
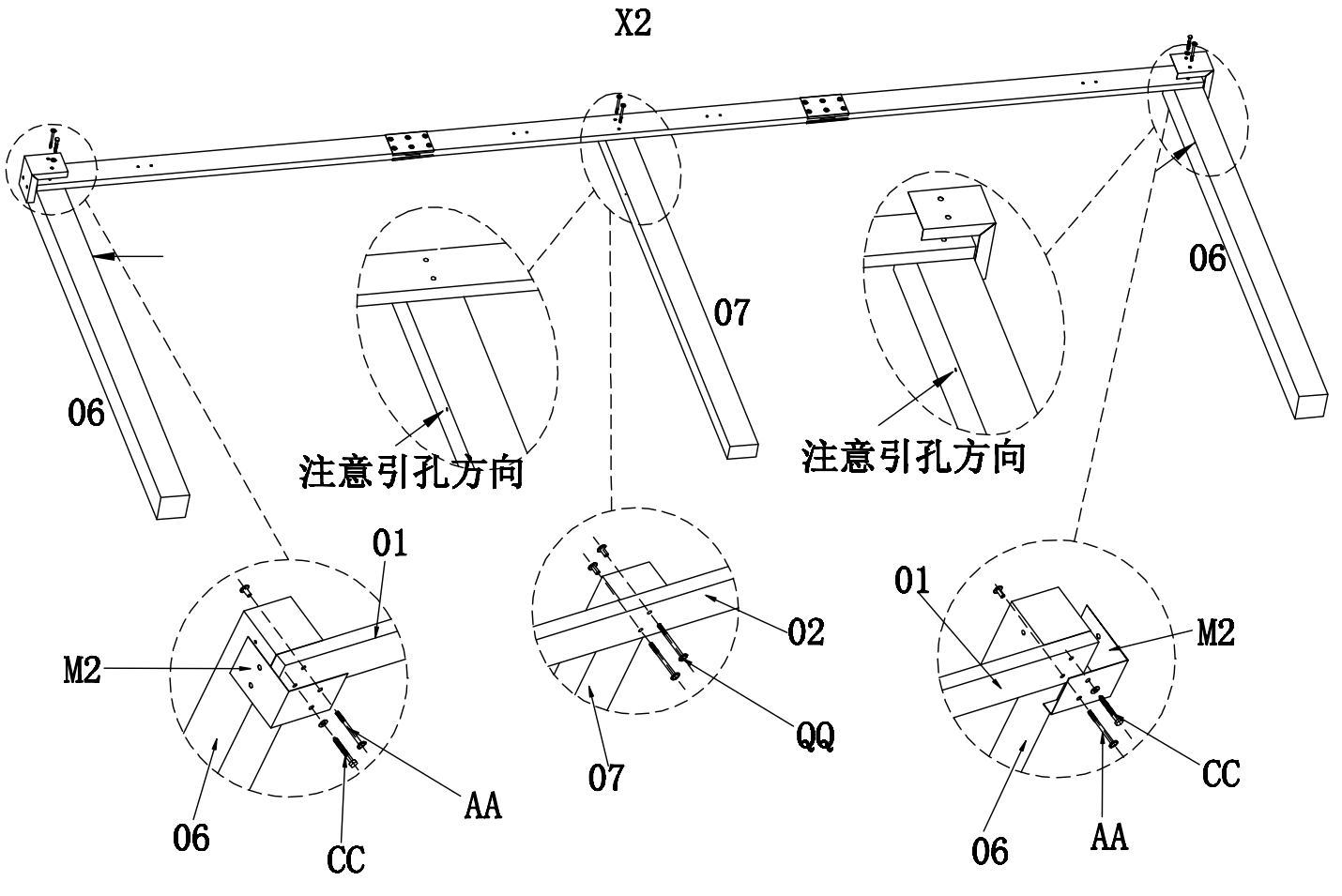
X6 2X



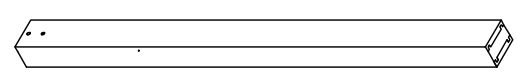
M5X20

JJ 8X

# STEP. 5



06 4X



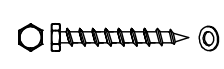
07 2X



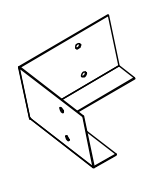
MSX165 AA 4X



MSX105 QQ 4X

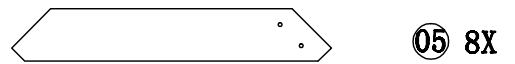
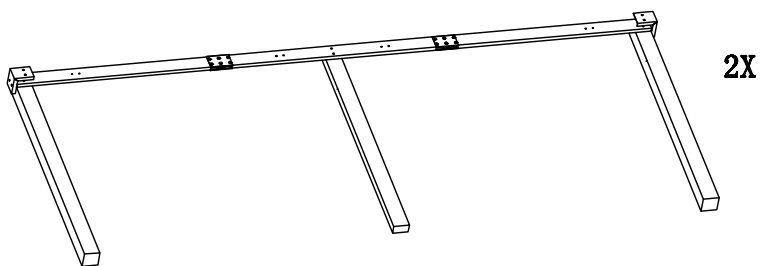
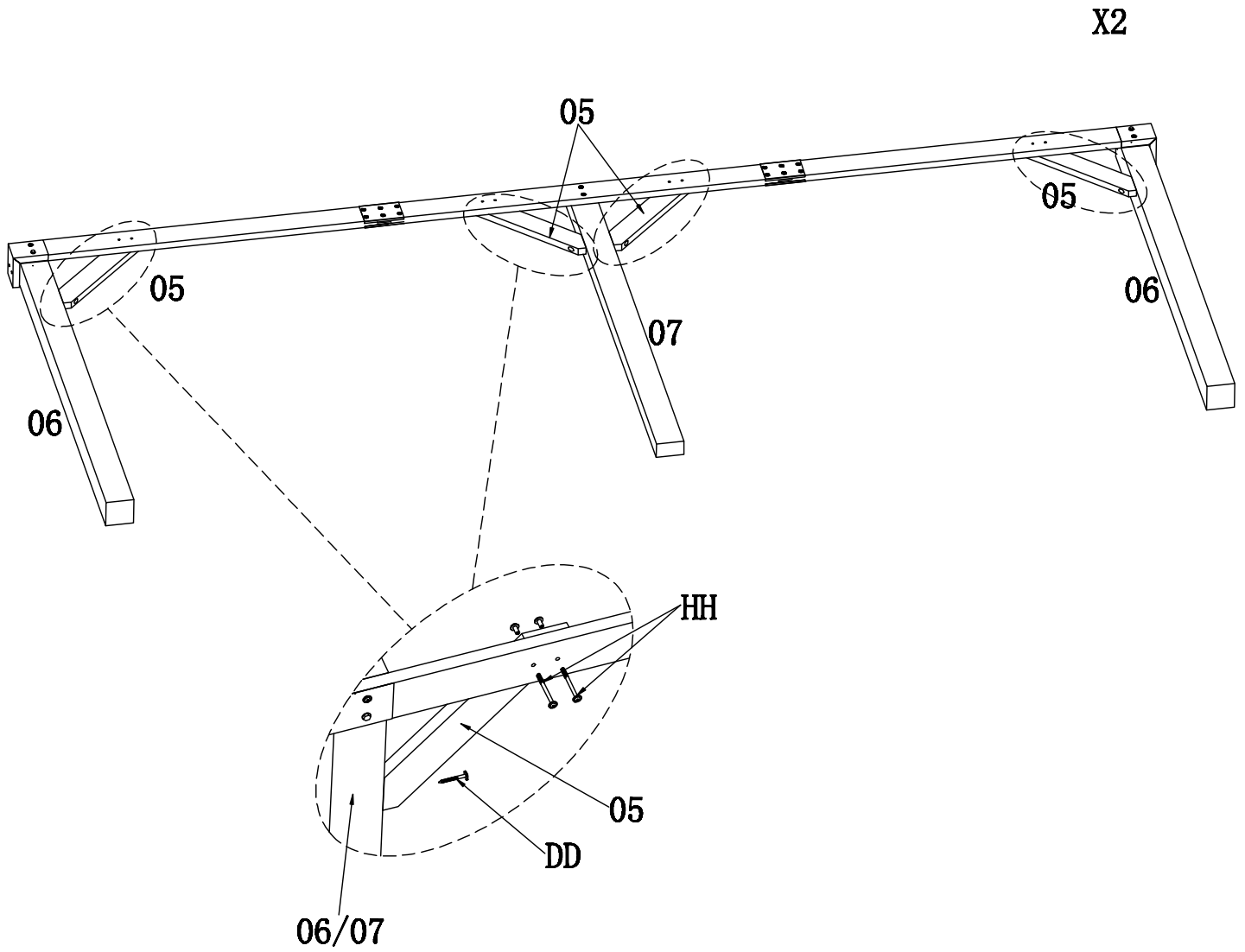


M10\*80 CC 4X

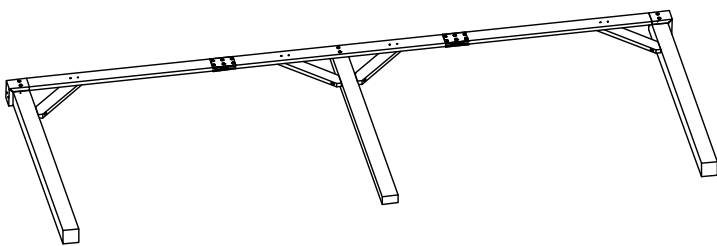
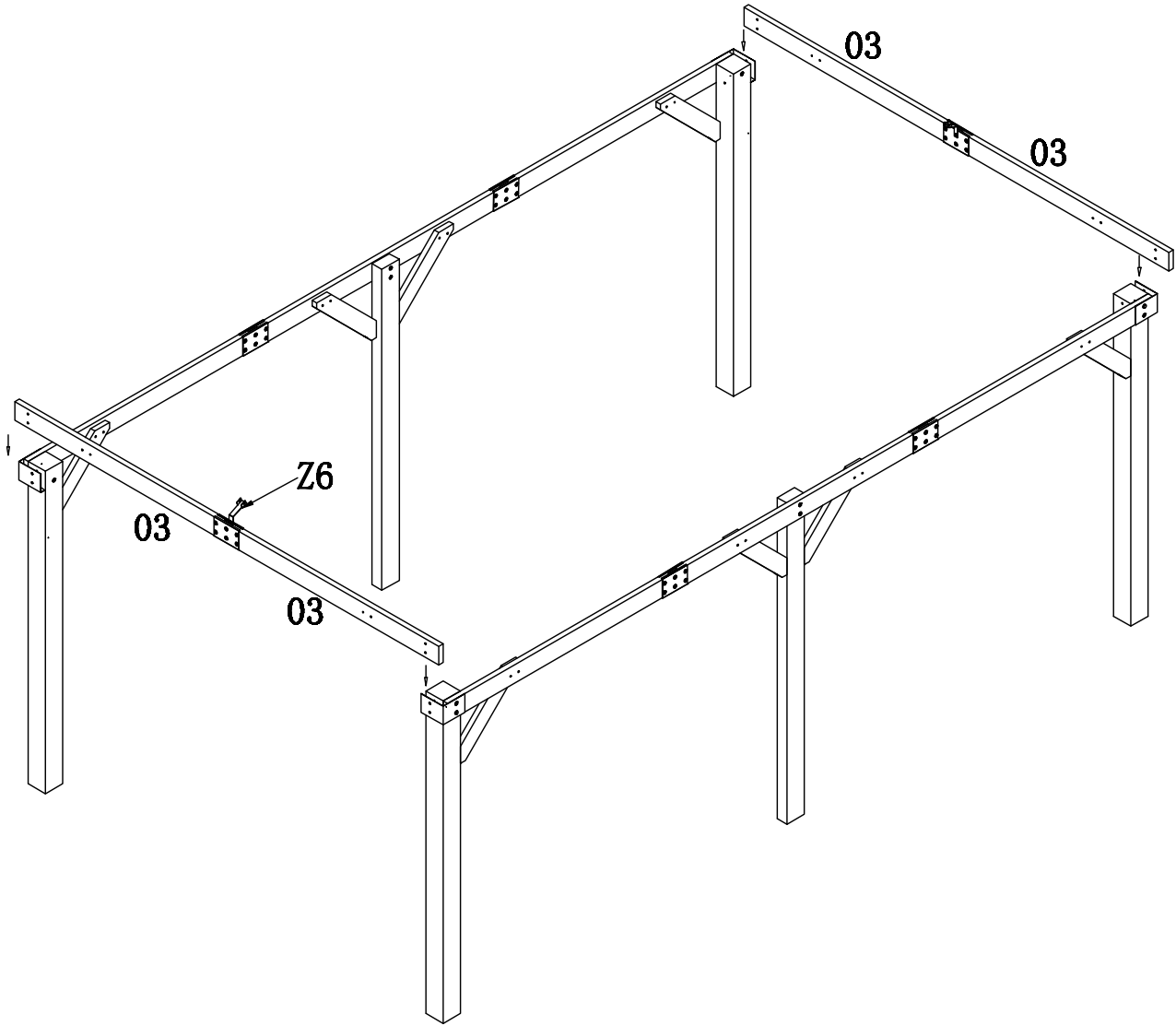


M2 4X

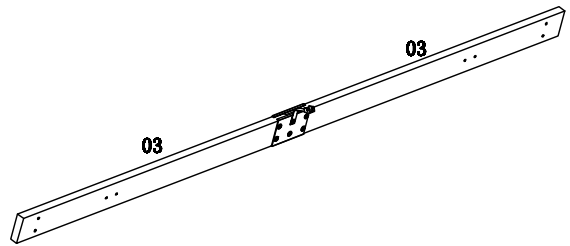
# STEP. 6



# STEP. 7

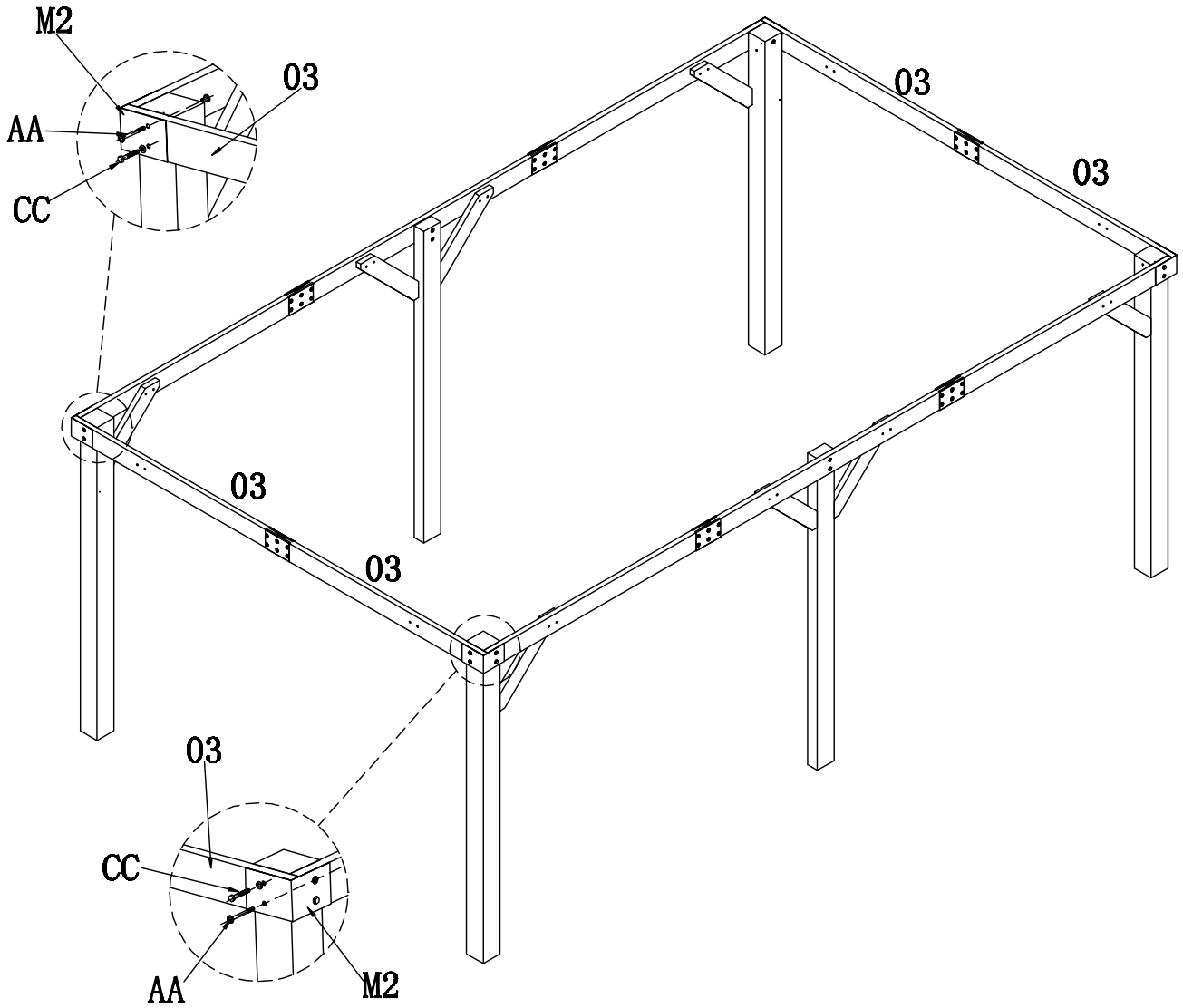


2X



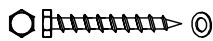
2X

# STEP. 8



M8X165

AA 4X

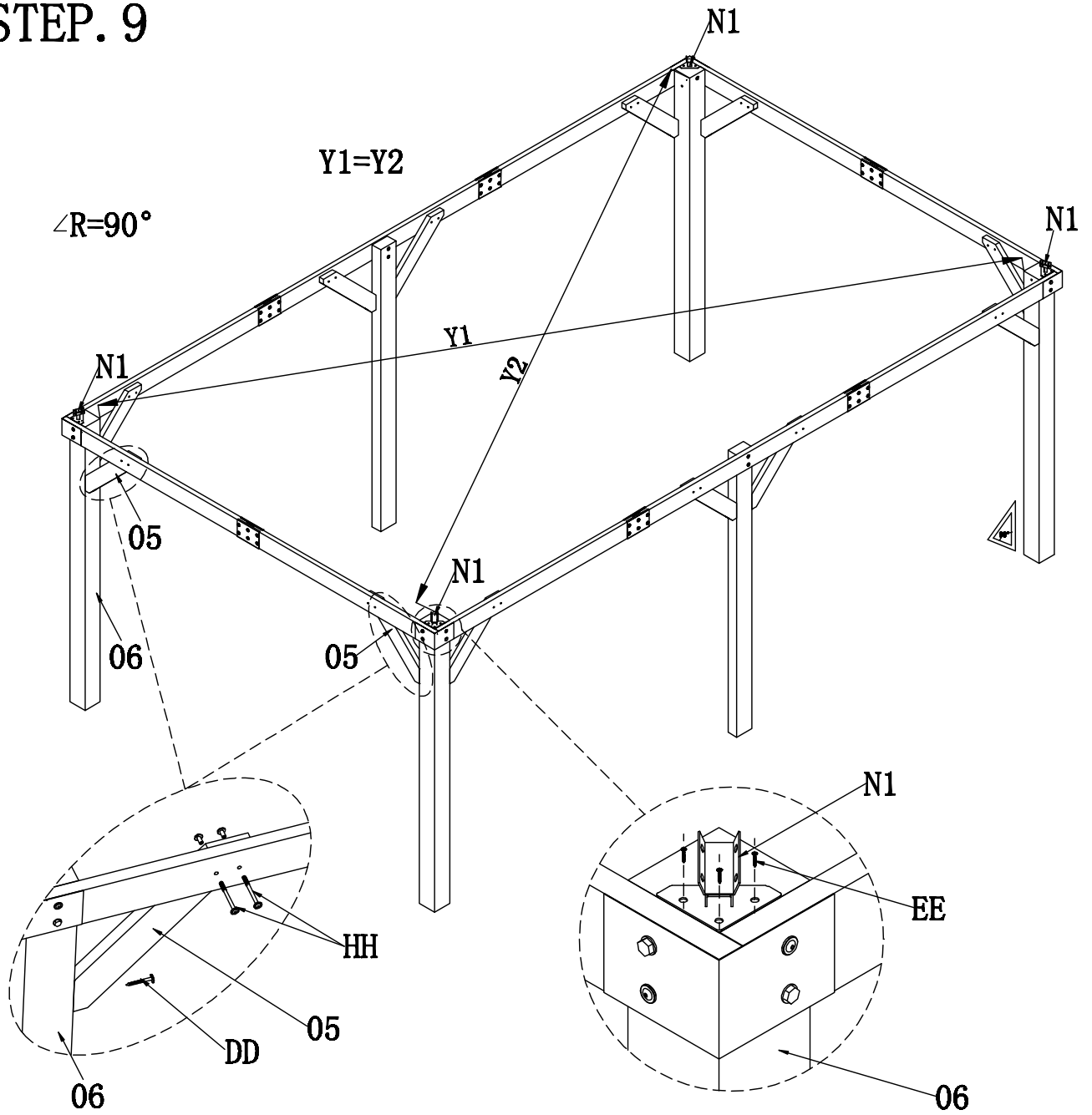


M10\*80

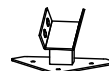
CC 4X



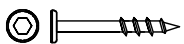
# STEP. 9



05 4X



N1 4X



M6\*70 DD 4X

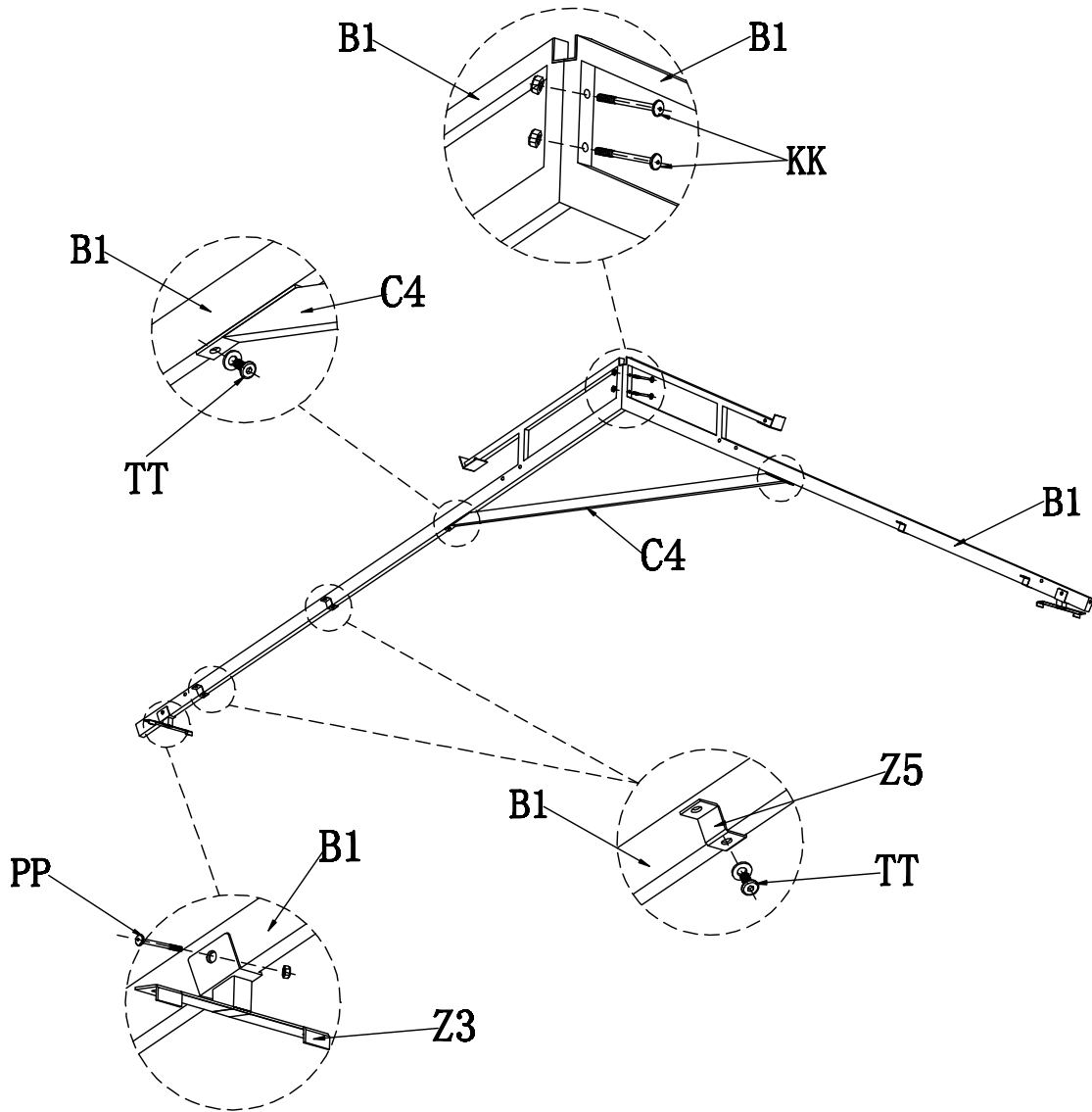


M8X60 HH 8X



M5\*40 EE 12X

# STEP. 10



**B1** 2X

**C4** 1X

**Z5** 4X

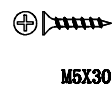
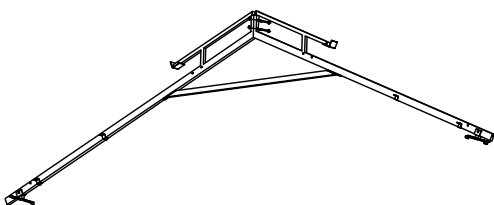
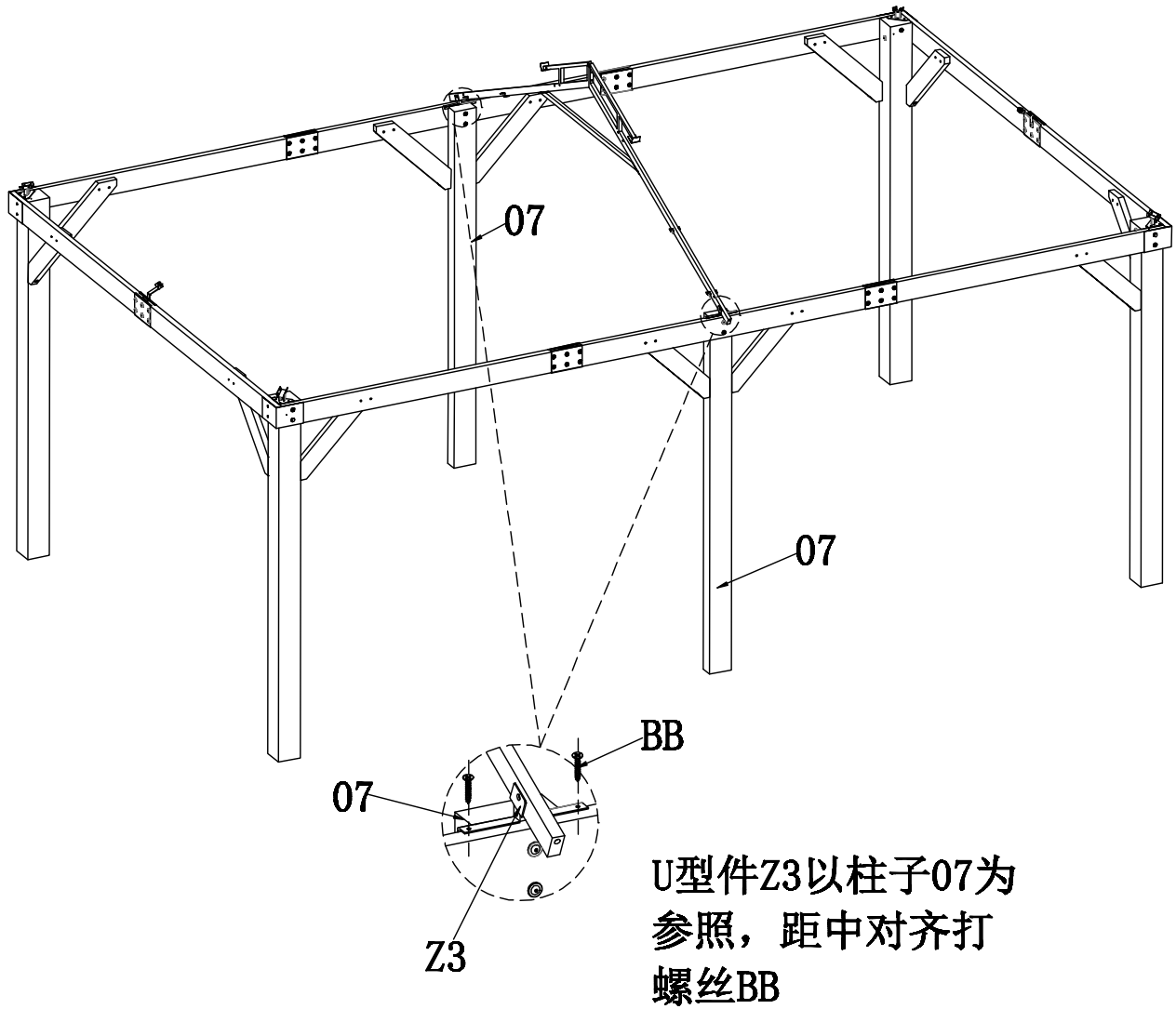
**Z3** 2X

**KK** 2X  
M6\*55

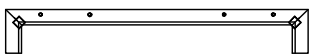
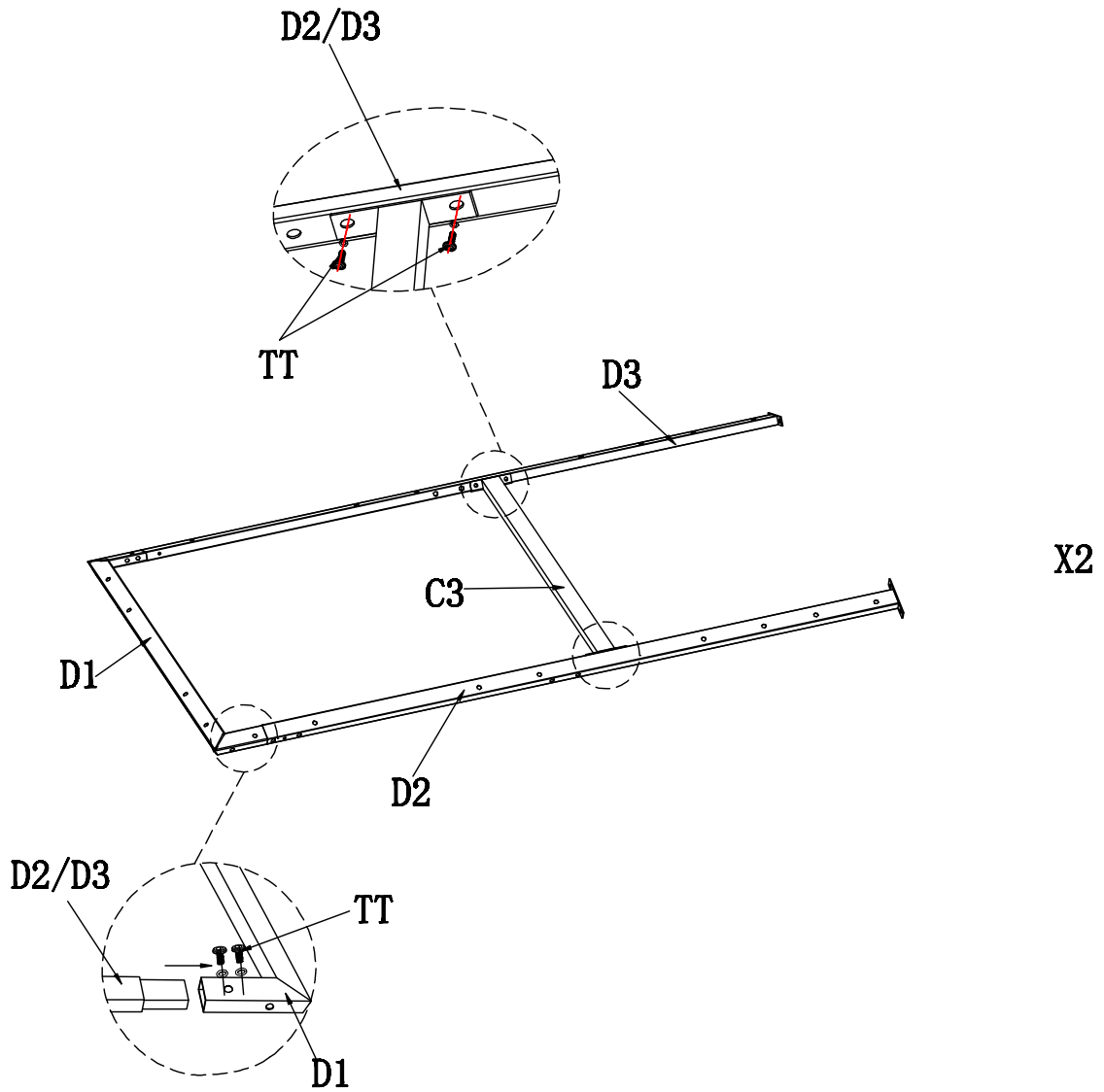
**PP** 2X  
M6\*35

**TT** 6X  
M6X15

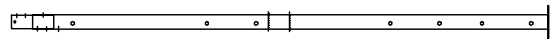
# STEP. 11



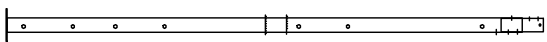
# STEP. 12



ⓐ 2X



ⓑ 2X



ⓒ 2X



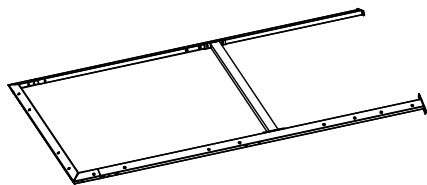
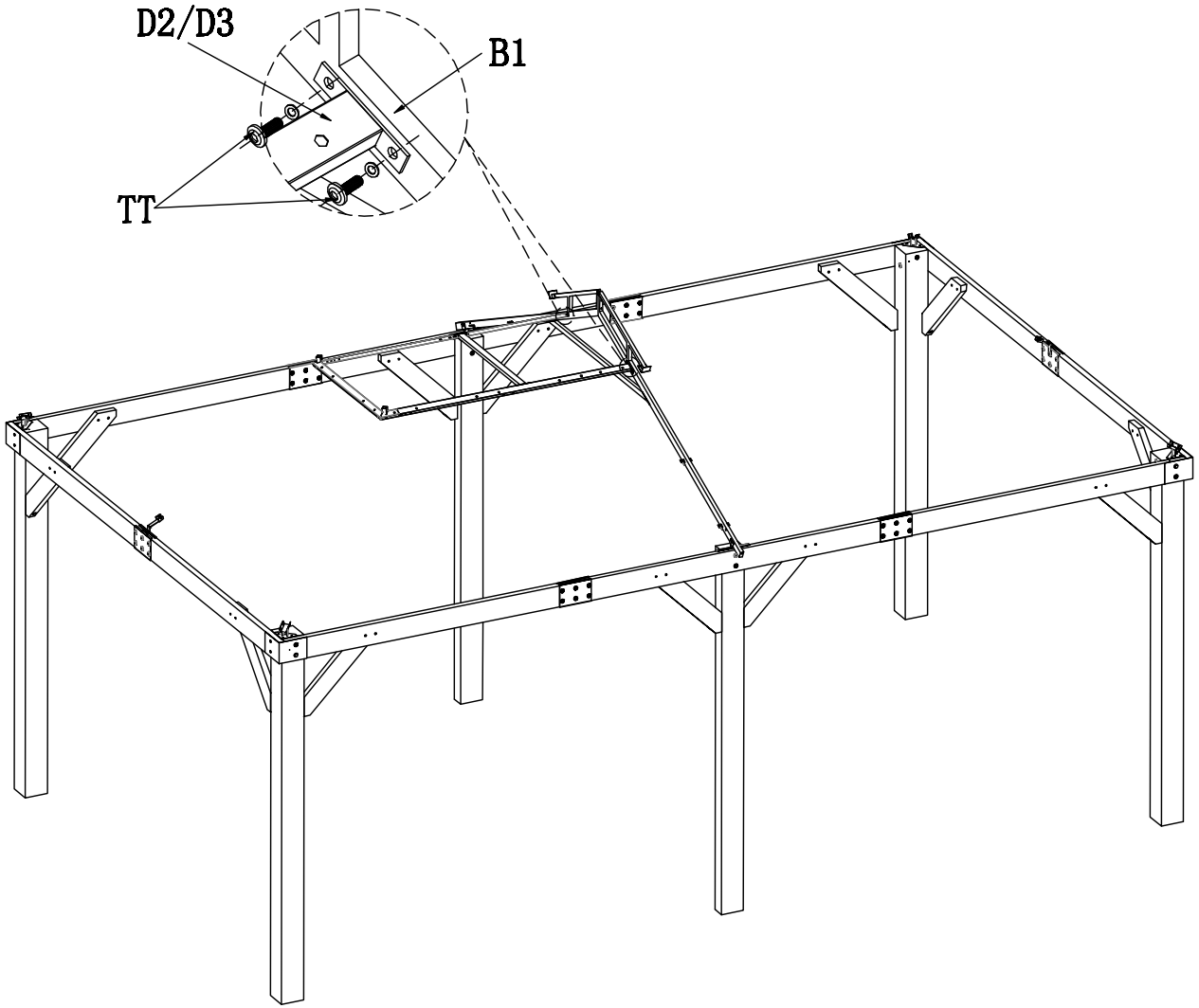
ⓓ 2X



M6X15

ⓔ 16X

# STEP. 13

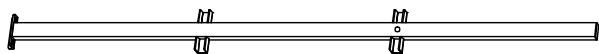
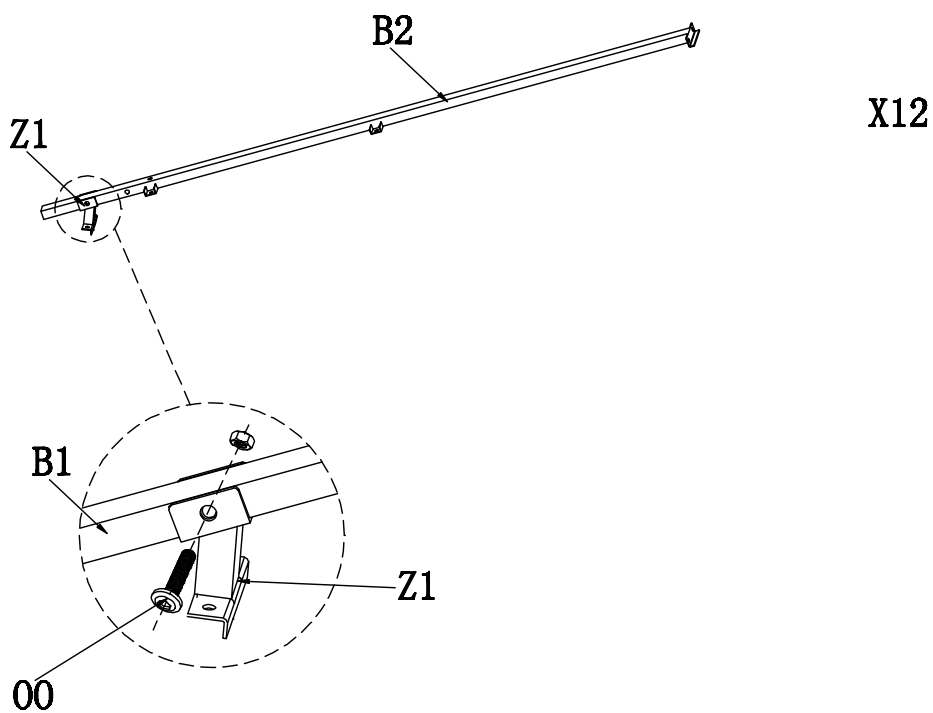


1X



TT 4X

# STEP. 14



**B2** 12X



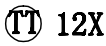
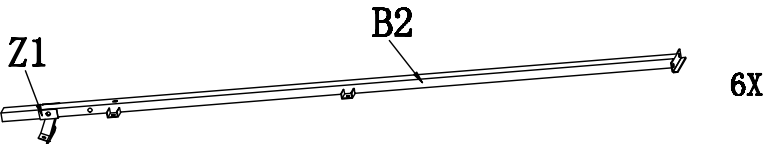
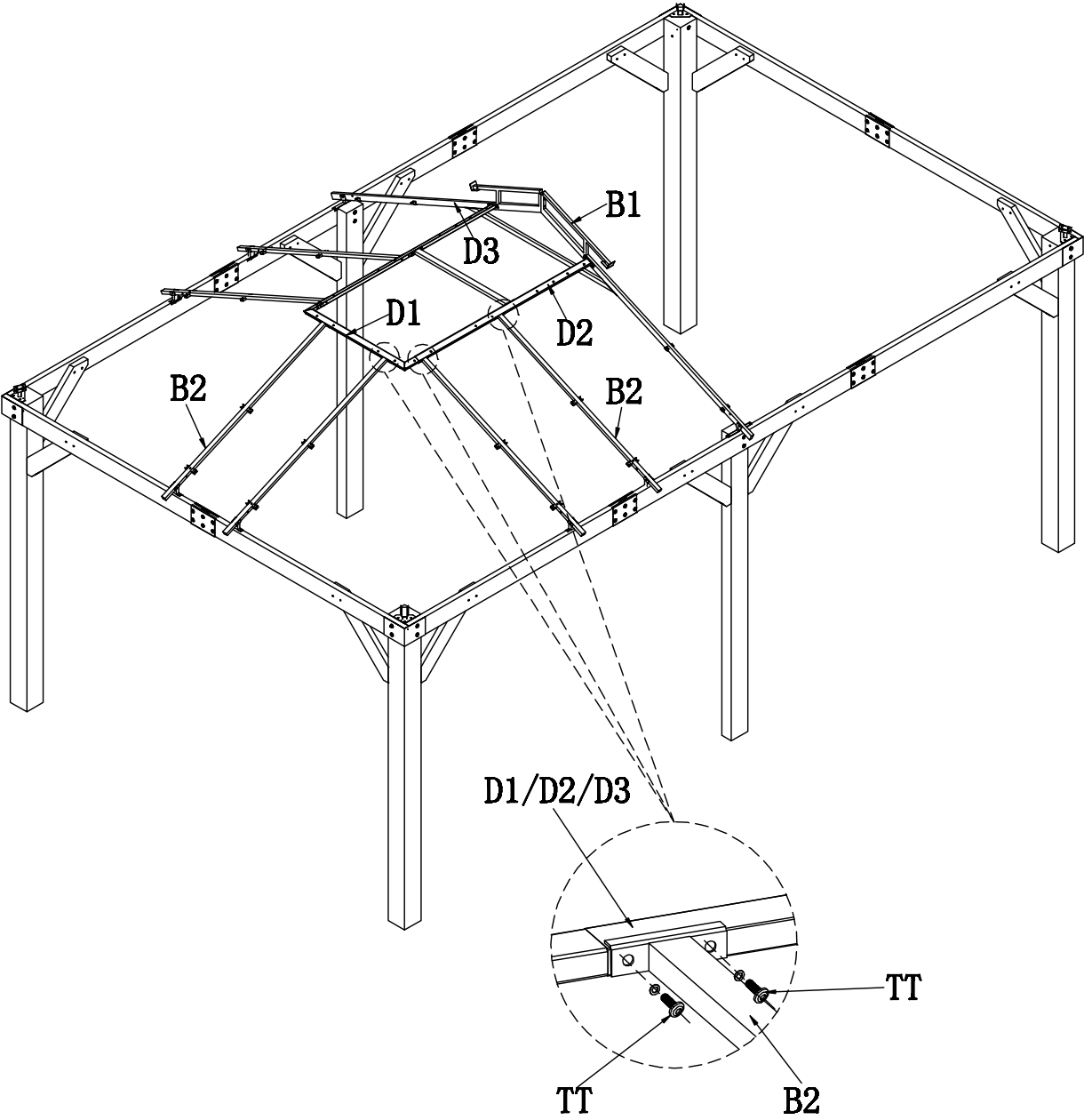
**Z1** 12X



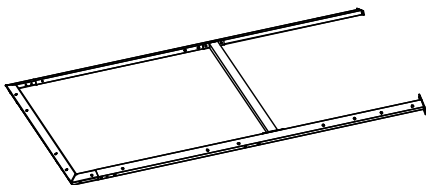
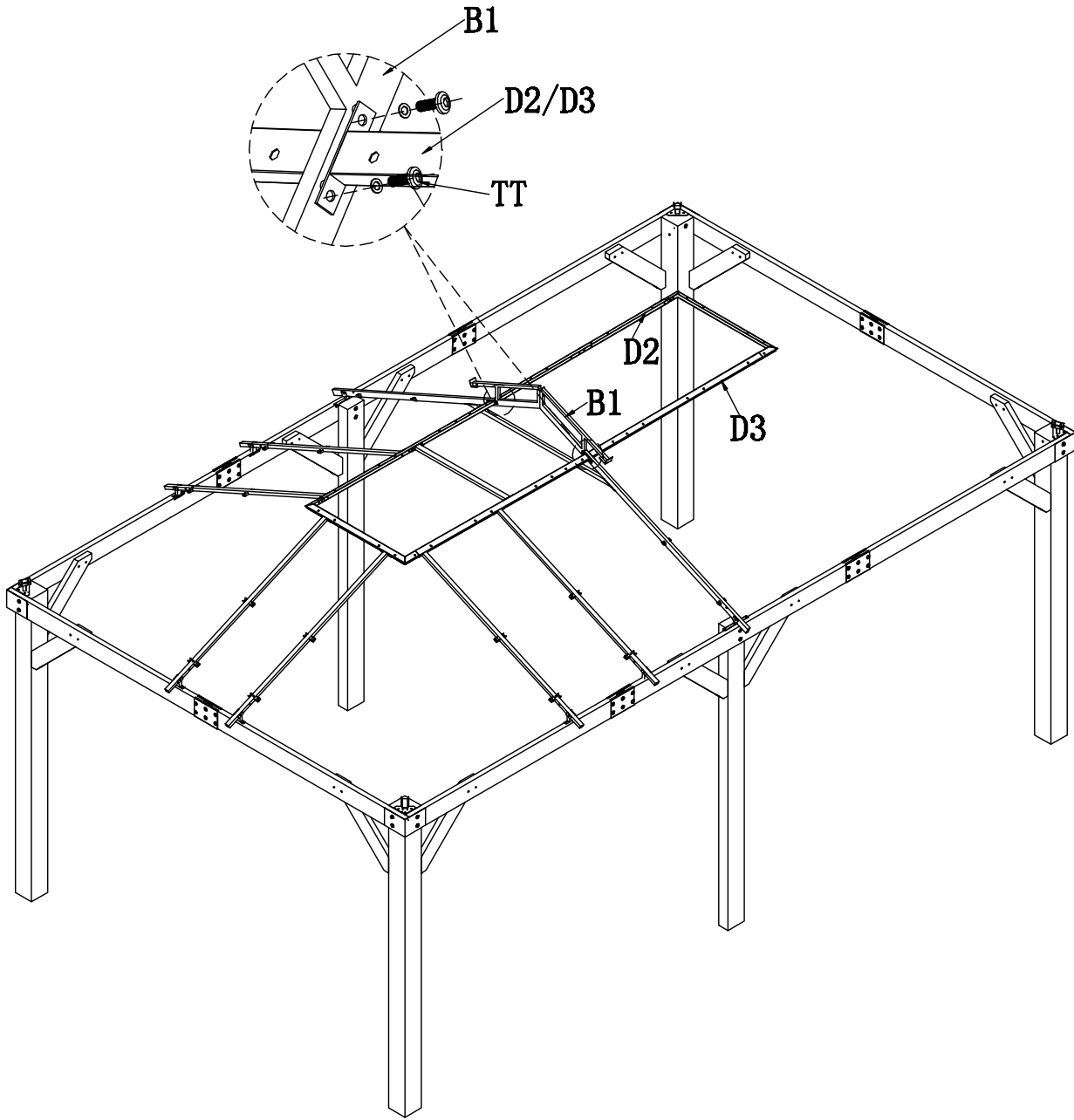
**00** 12X

M6\*45

# STEP. 15



# STEP. 16



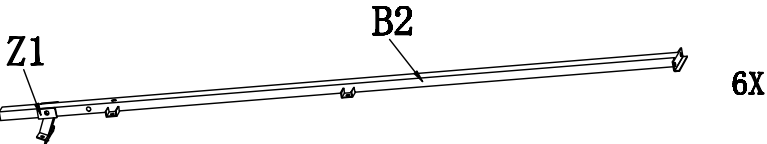
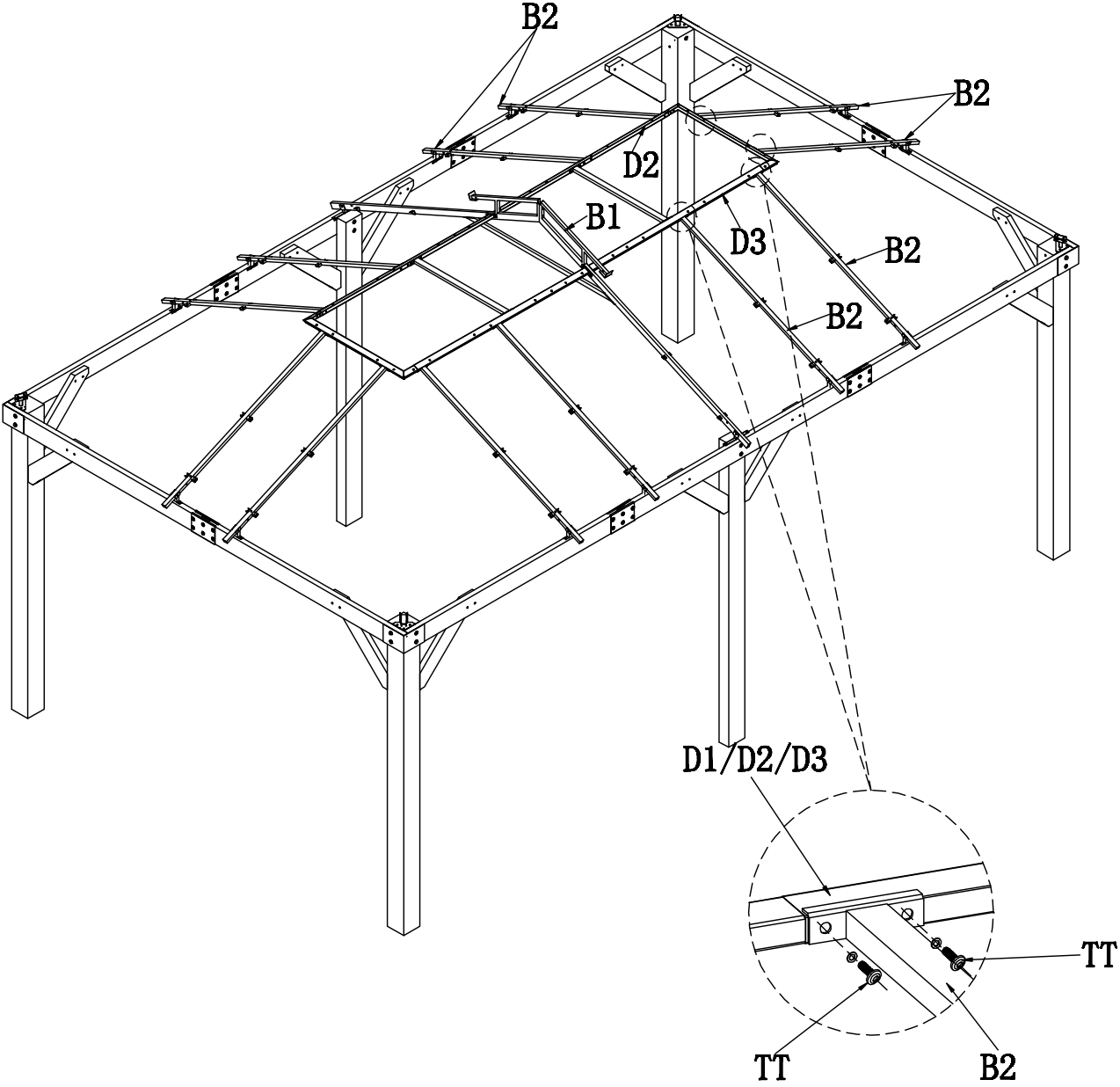
1X



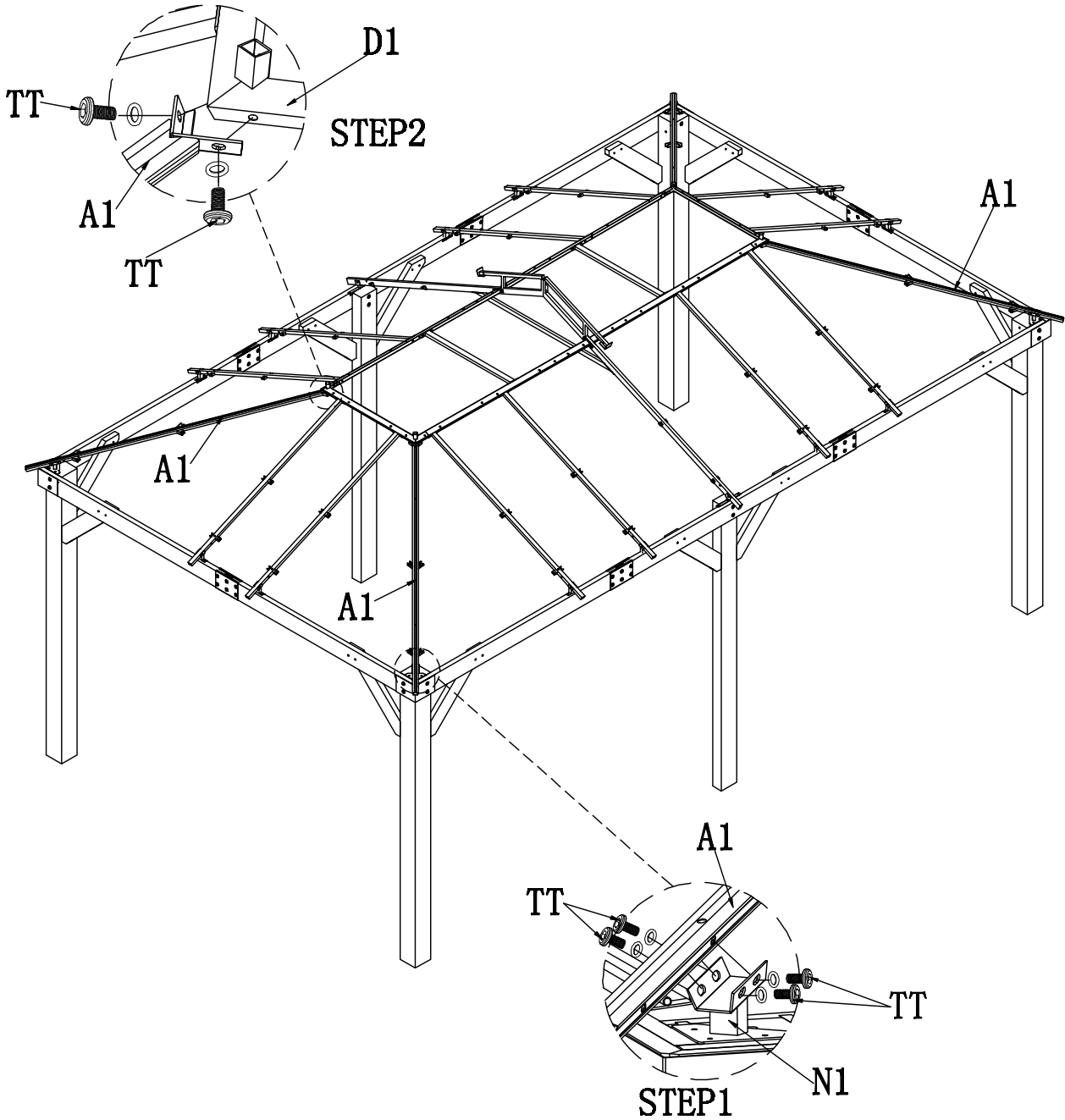
TT 4X



# STEP. 17



# STEP. 18



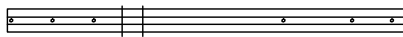
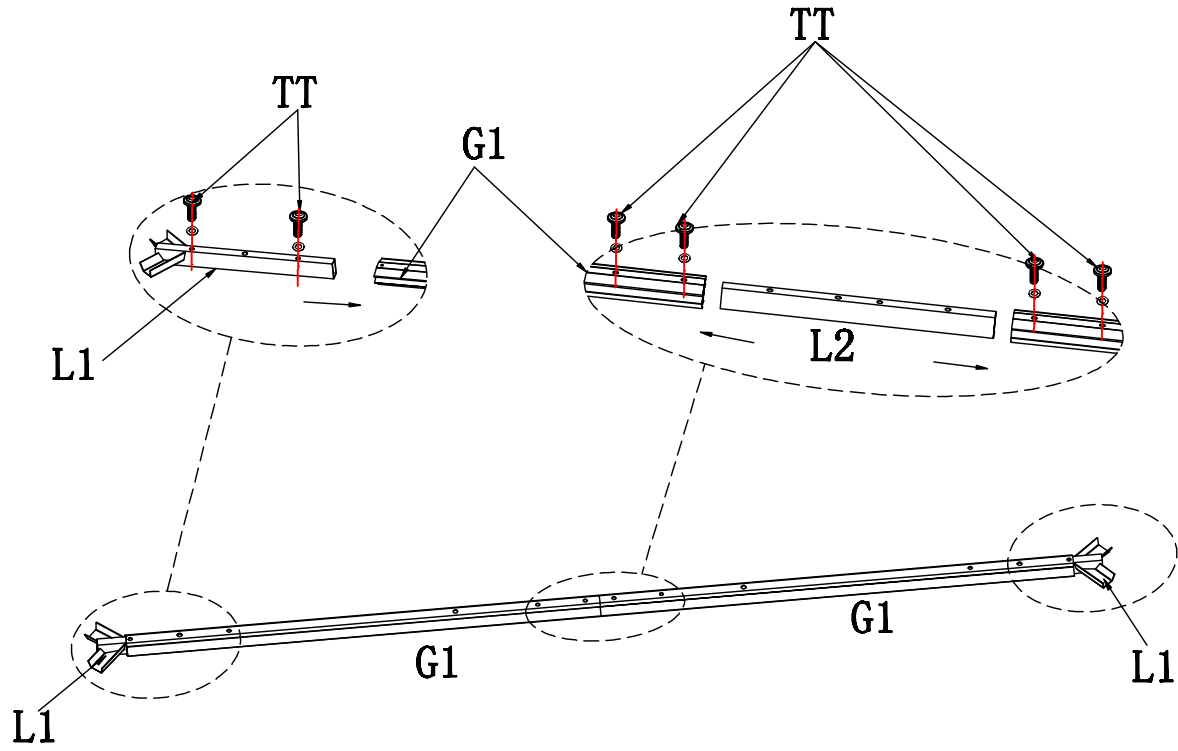
(A1) 4X



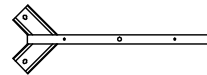
M6X15

(TT) 24X

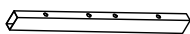
# STEP. 19



ⓐ G1 2X



ⓐ L1 2X



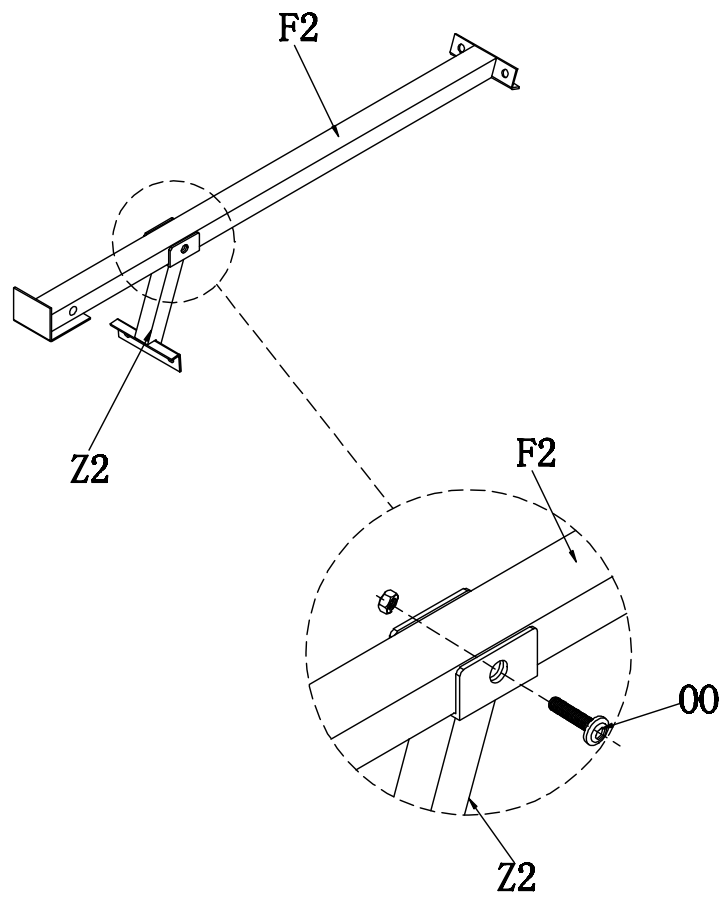
ⓐ L2 1X



M6X15

ⓐ TT 8X

# STEP. 20



F2 4X



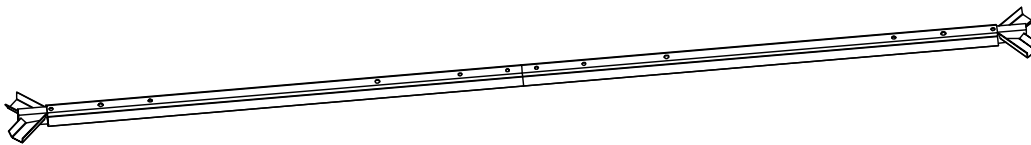
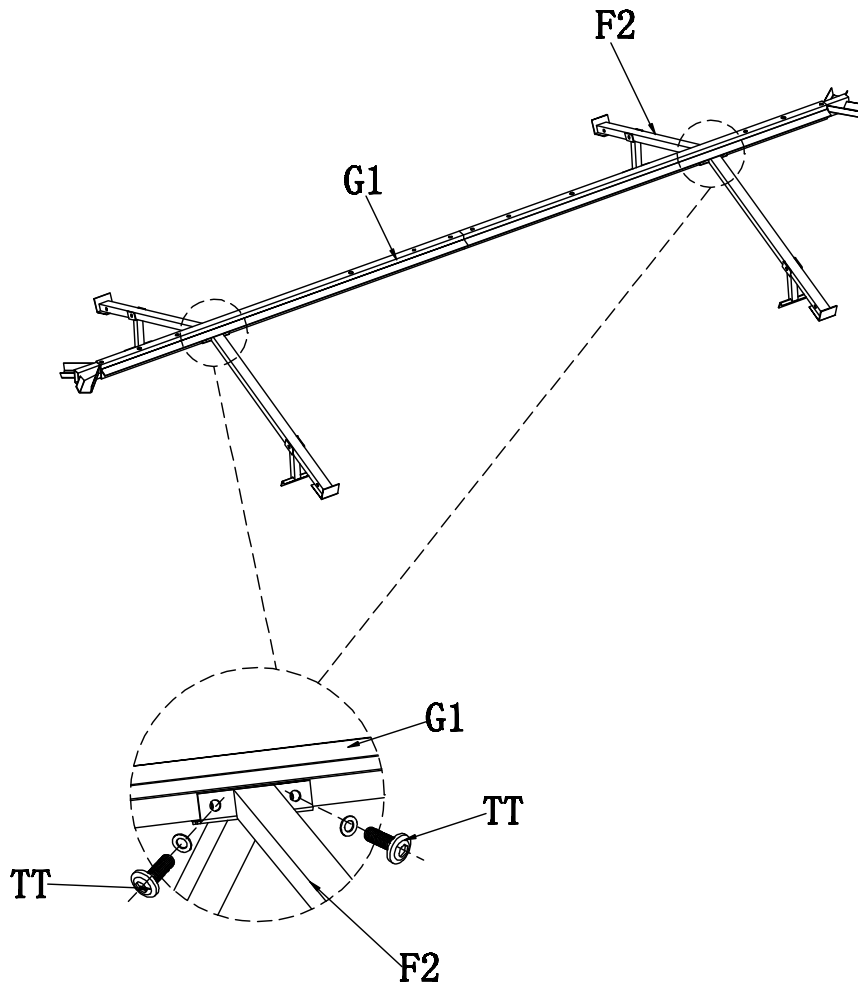
Z2 4X



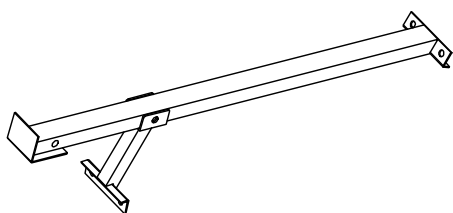
M6X45

00 4X

# STEP. 21



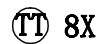
1X



4X

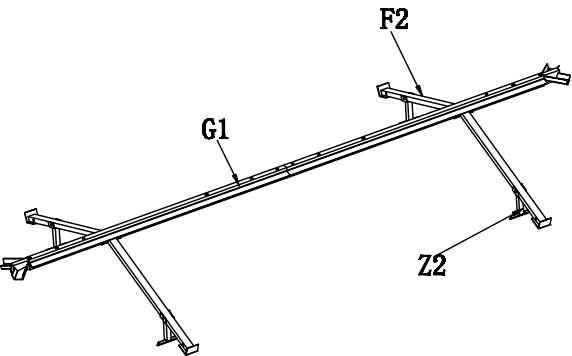
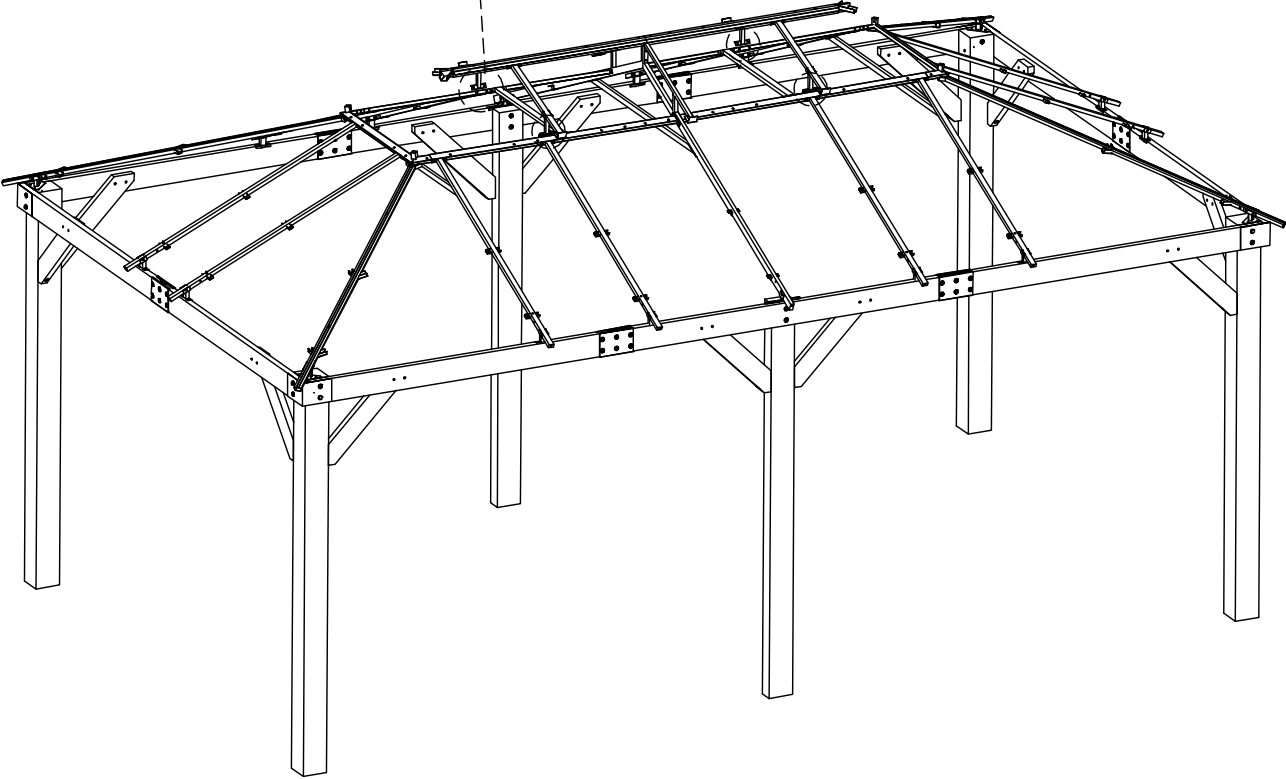
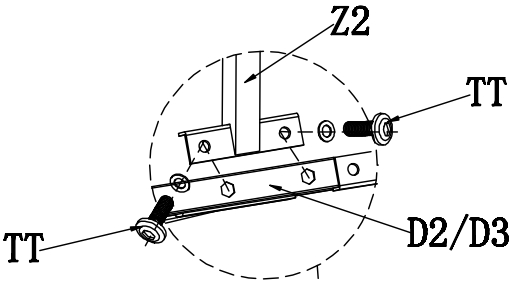


M6X15



8X

# STEP. 22

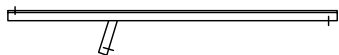
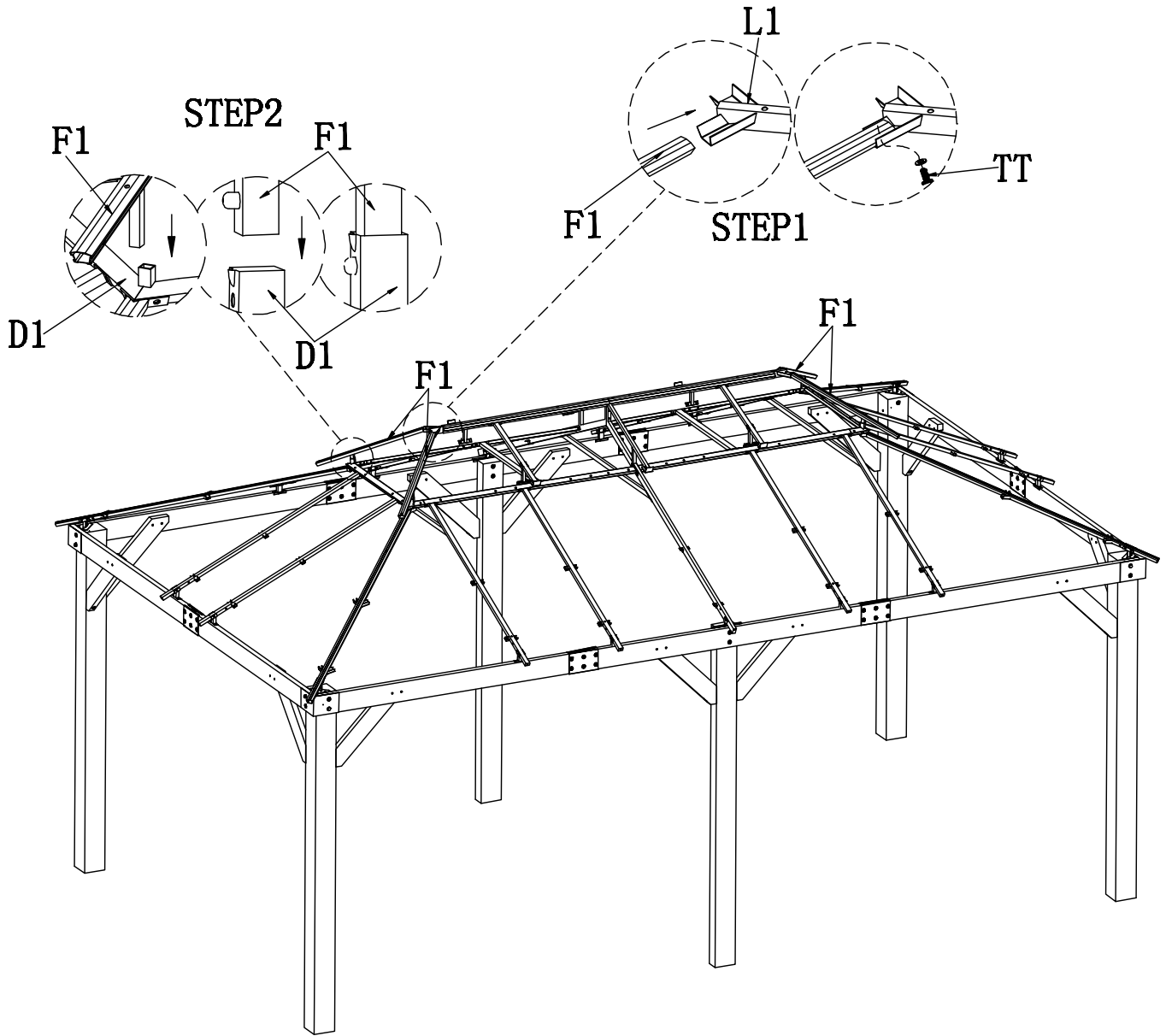


M6X15



8X

# STEP. 23



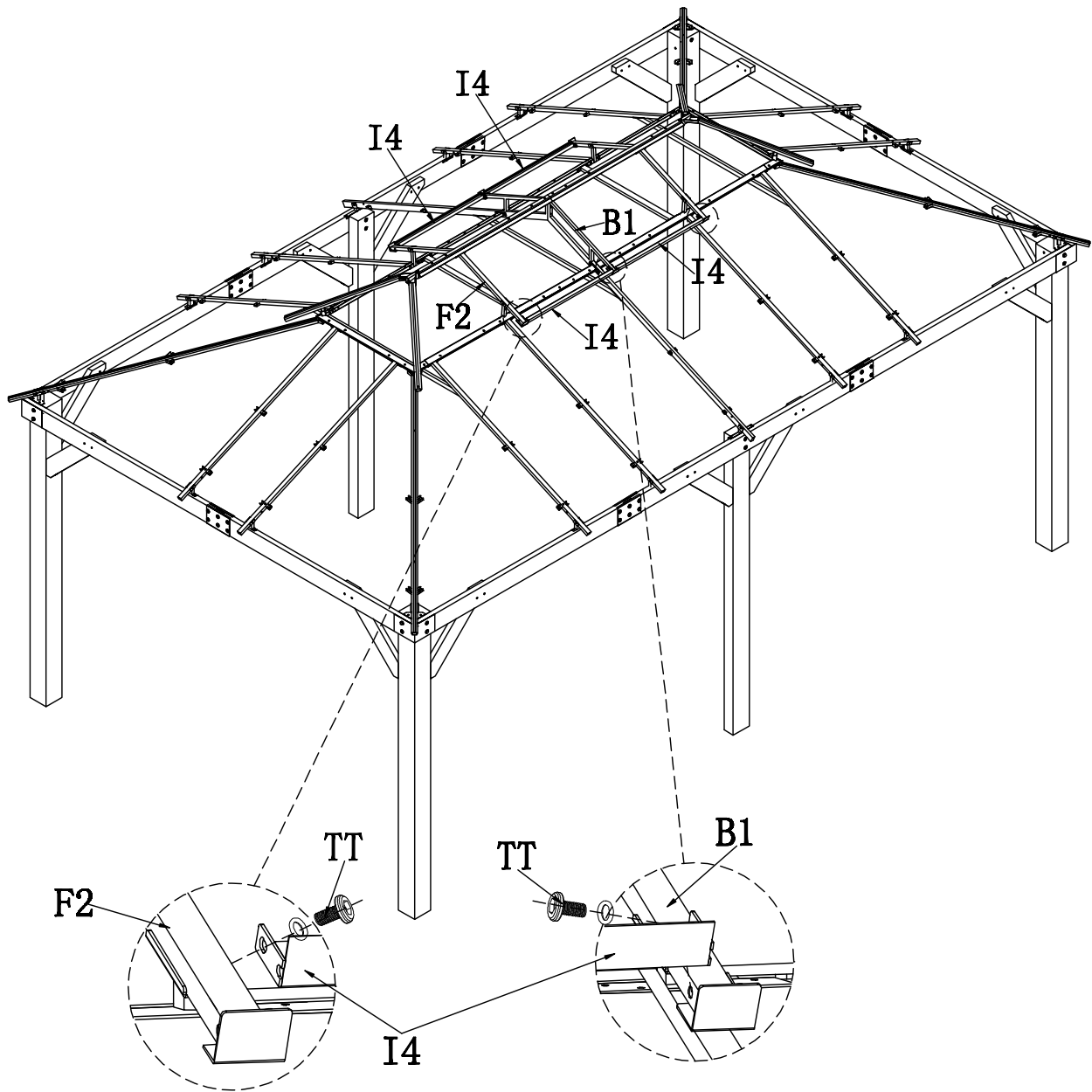
**F1** 4X



**TT** 4X

M6X15

# STEP. 24



I4 4X

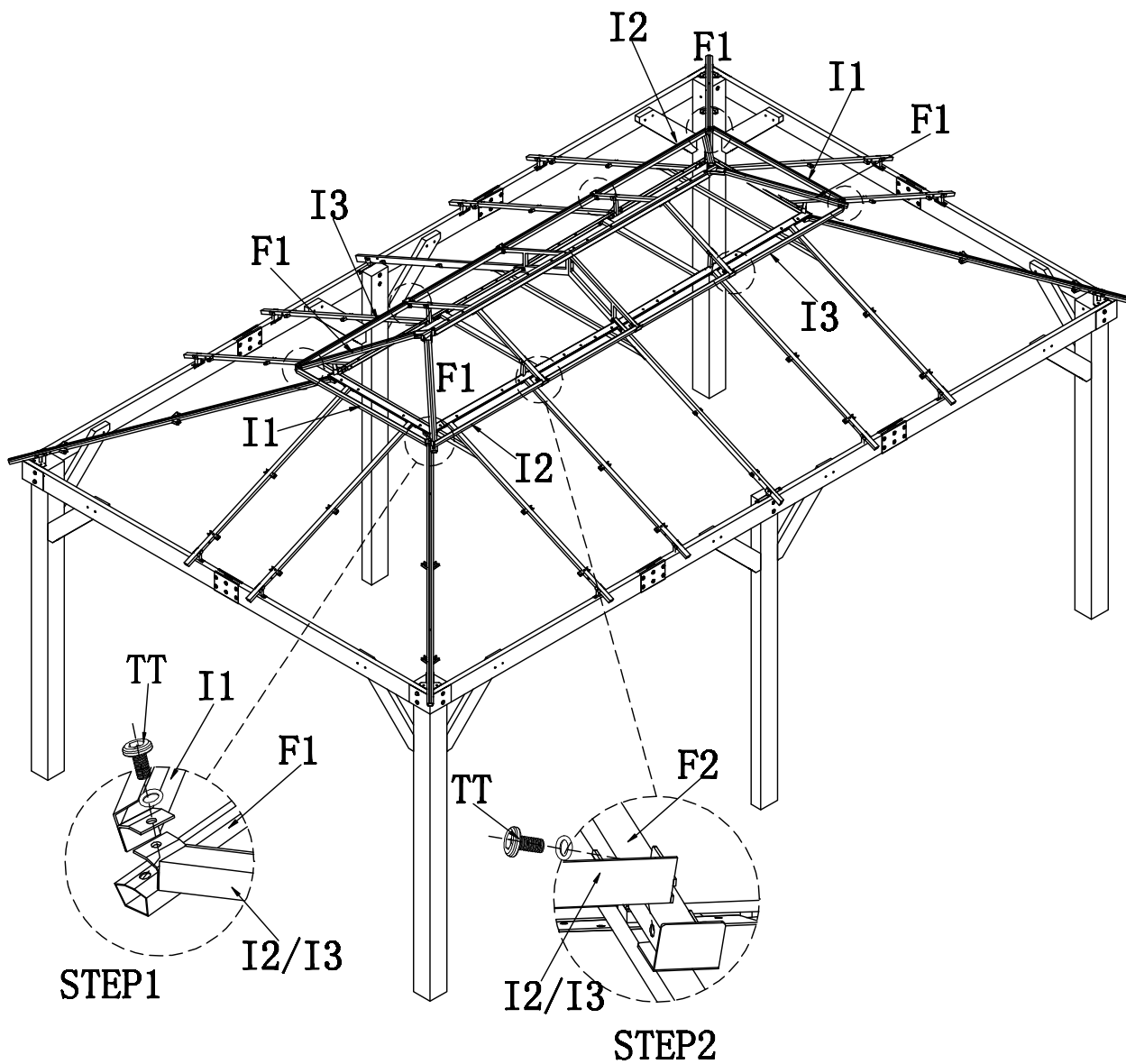


M6X15

TT 8X



# STEP. 25



① 2X



② 2X



③ 2X

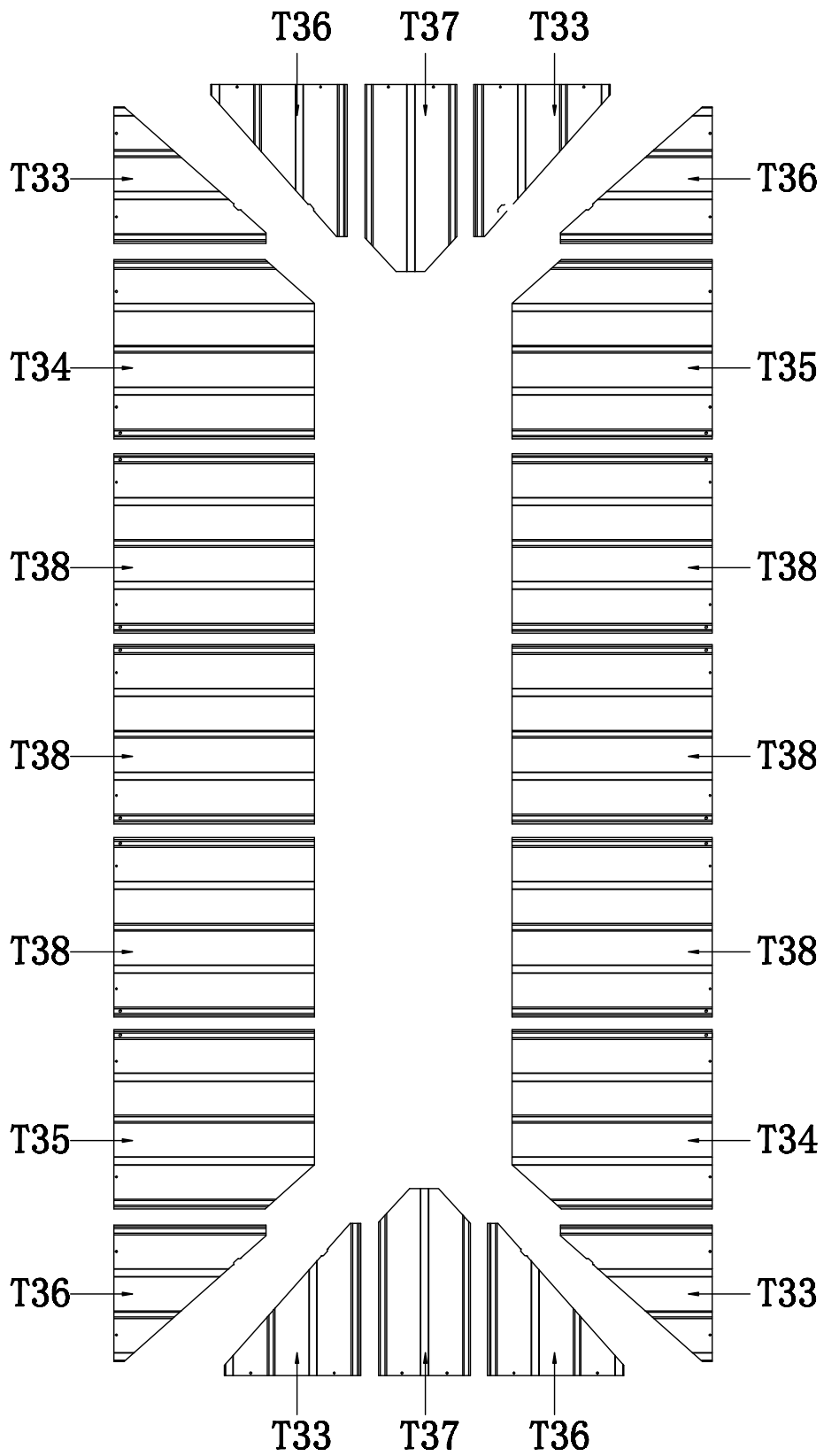


M6X15

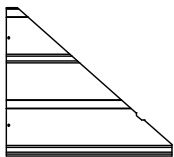
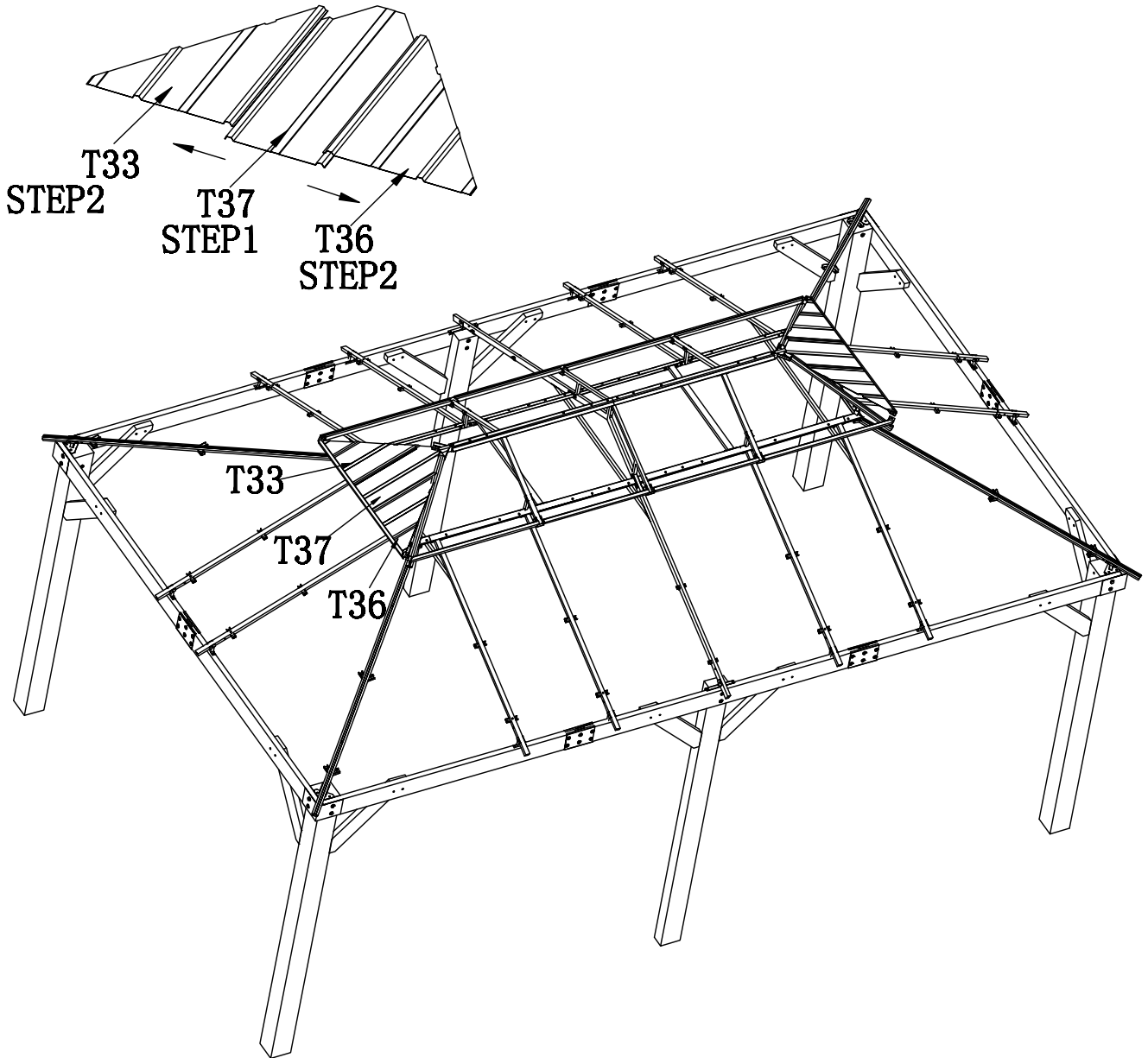


TT 8X

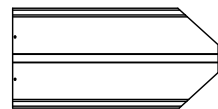
# STEP. 26



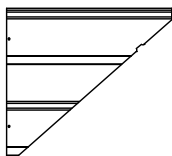
# STEP. 27



T33 2X

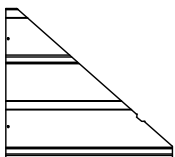
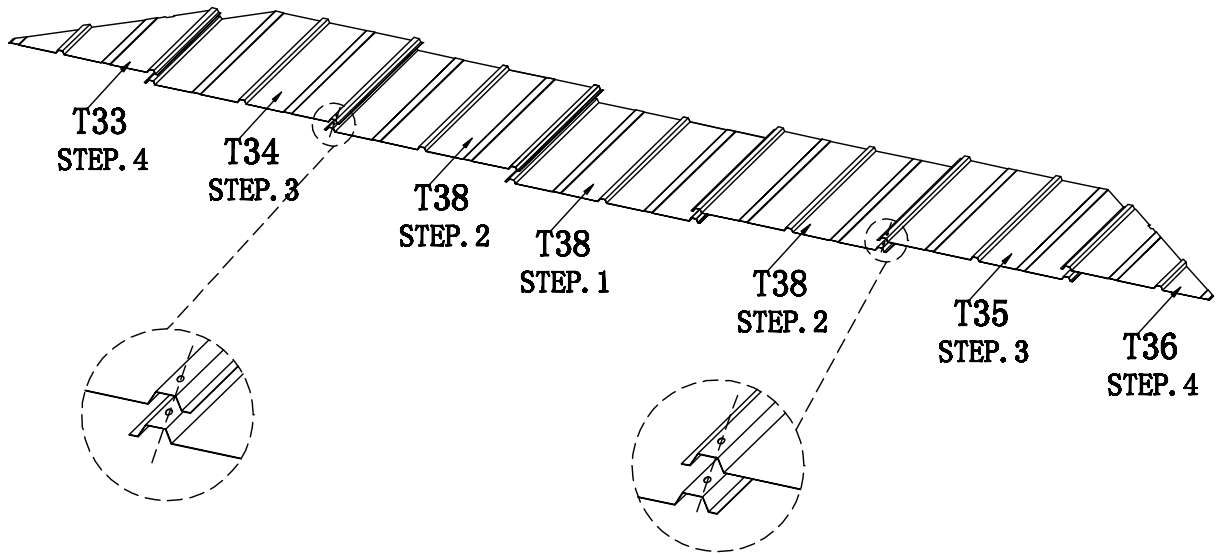
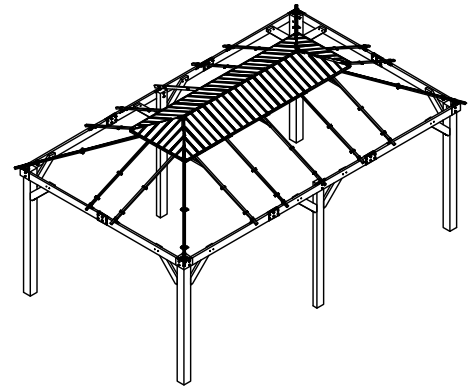


T37 2X



T36 2X

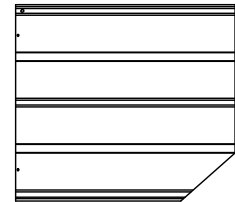
# STEP. 28



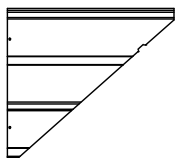
T33 2X



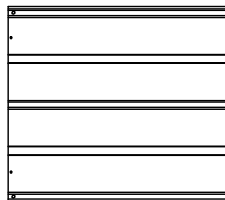
T34 2X



T35 2X

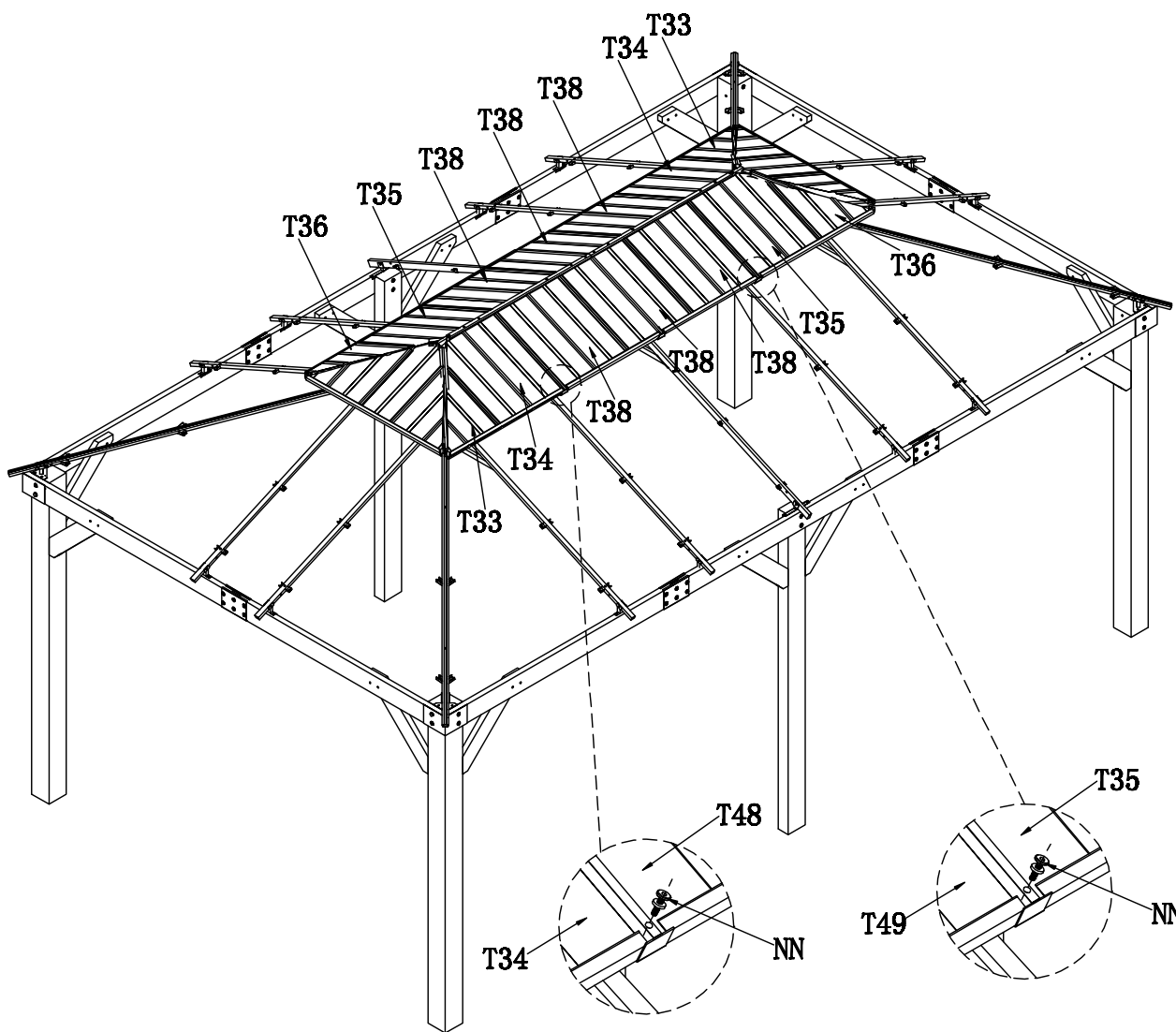



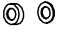

T36 2X



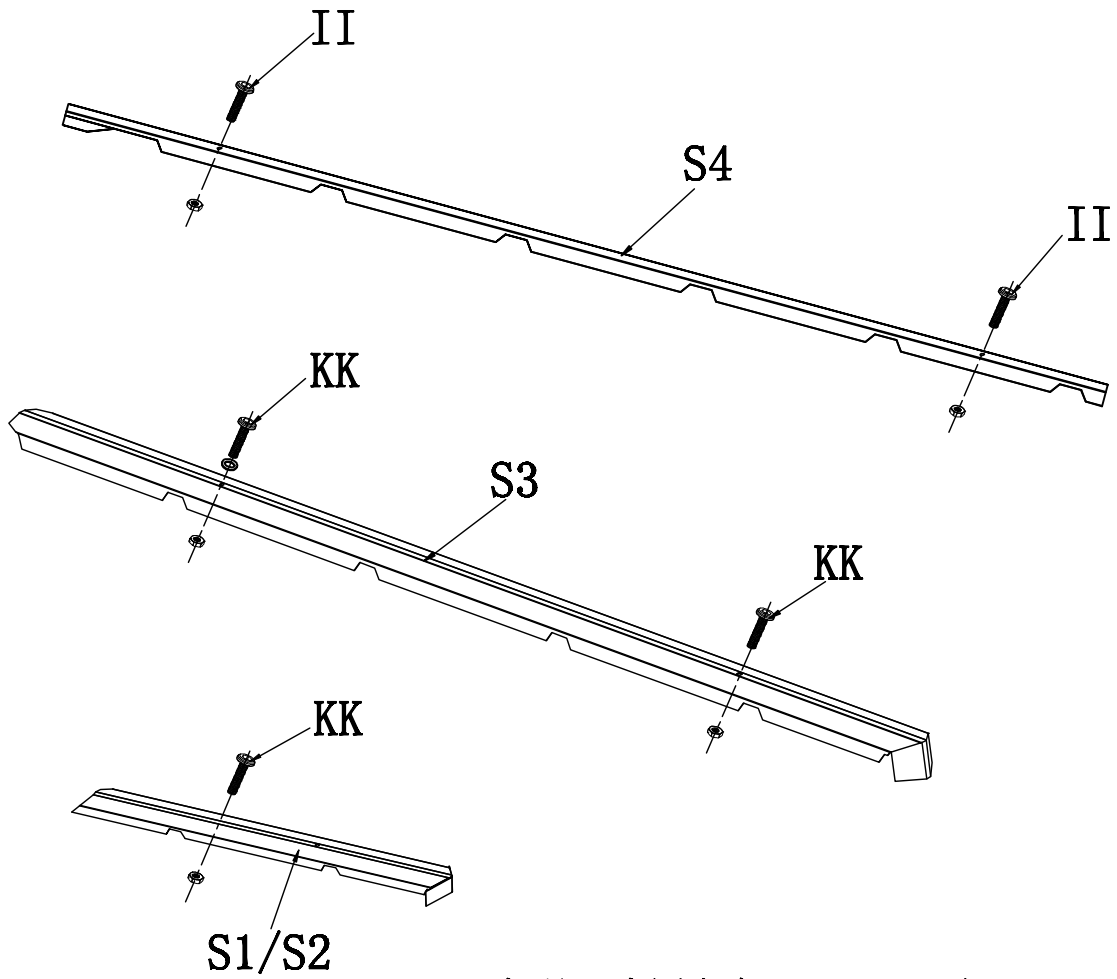
T38 6X

# STEP. 29

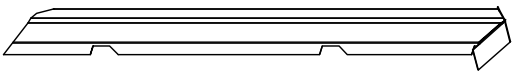


-  
- M6X25  4X

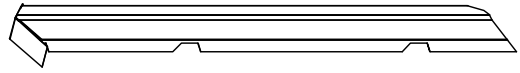
# STEP. 30



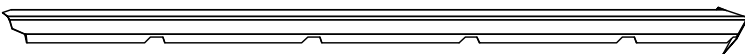
螺丝KK先固定在S1、S2、S3上，  
螺丝II先固定在S4上。



Ⓢ1 2X



Ⓢ2 2X



Ⓢ3 4X



ⓈII 4X

M6X70



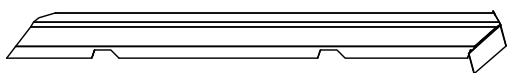
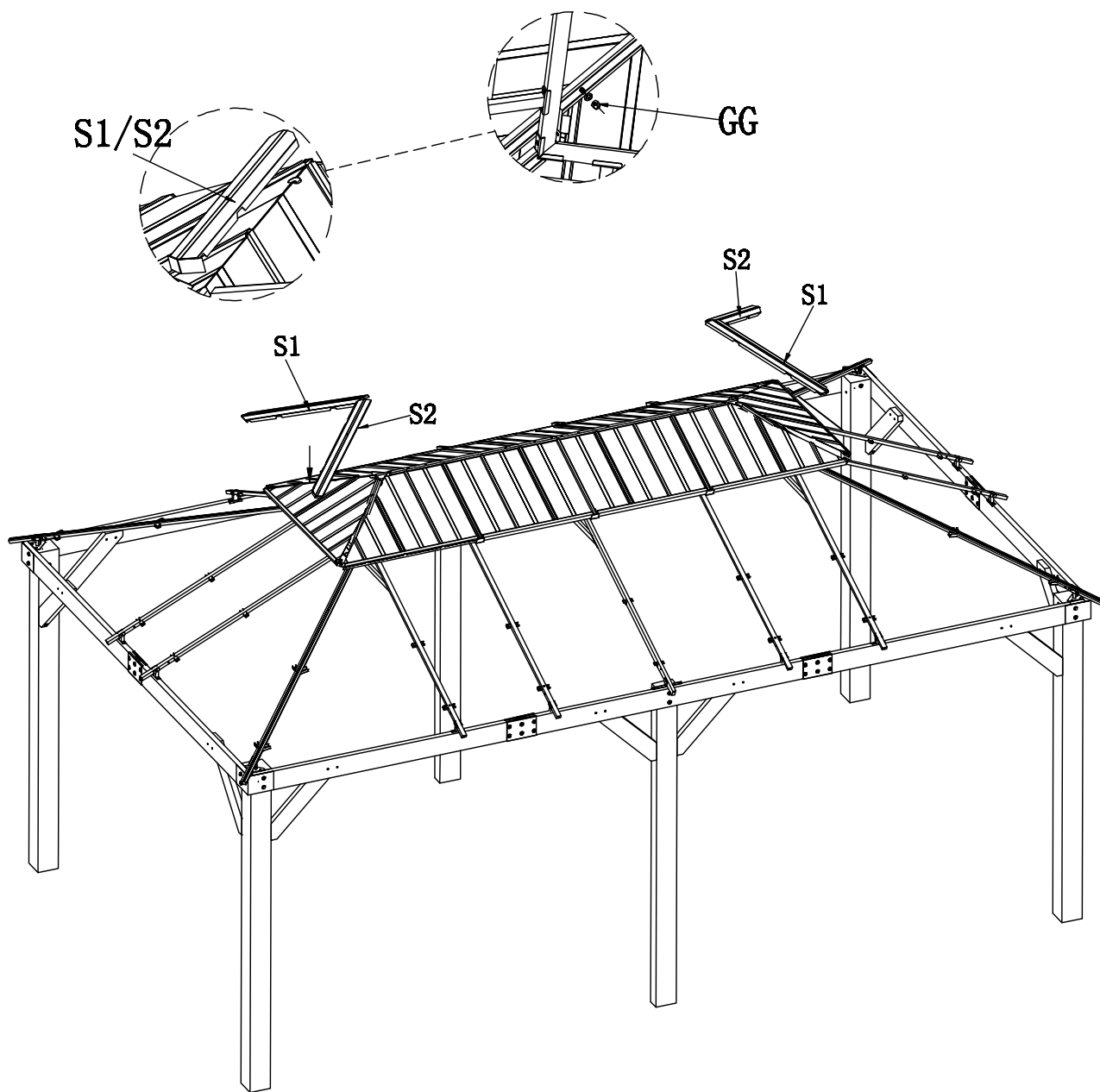
Ⓢ4 2X



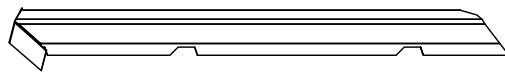
ⓈKK 12X

M6X55

# STEP. 31



Ⓢ1 2X

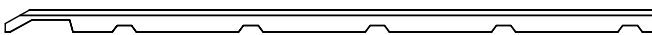
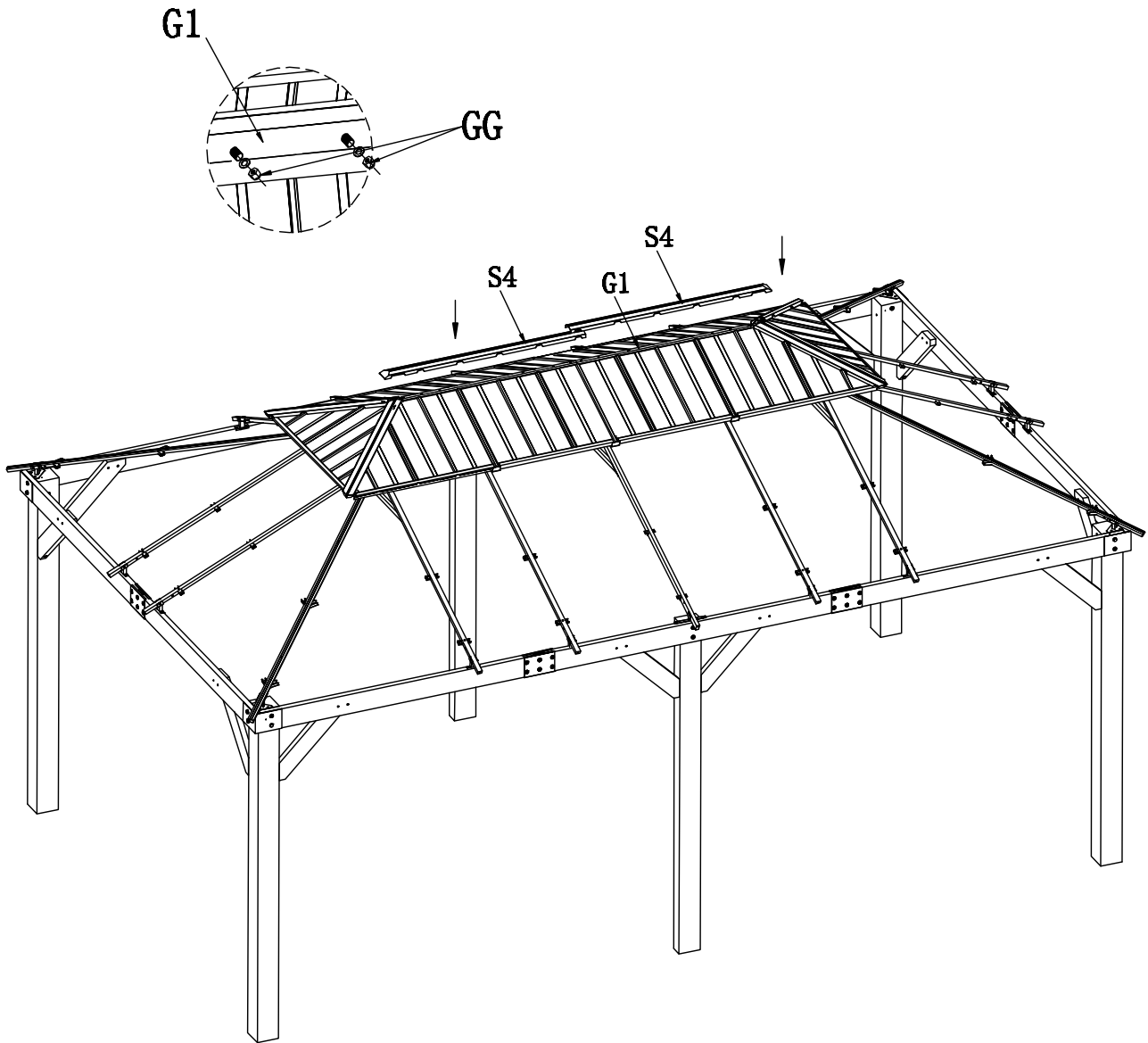


Ⓢ2 2X



ⓖⓖ 4X

# STEP. 32

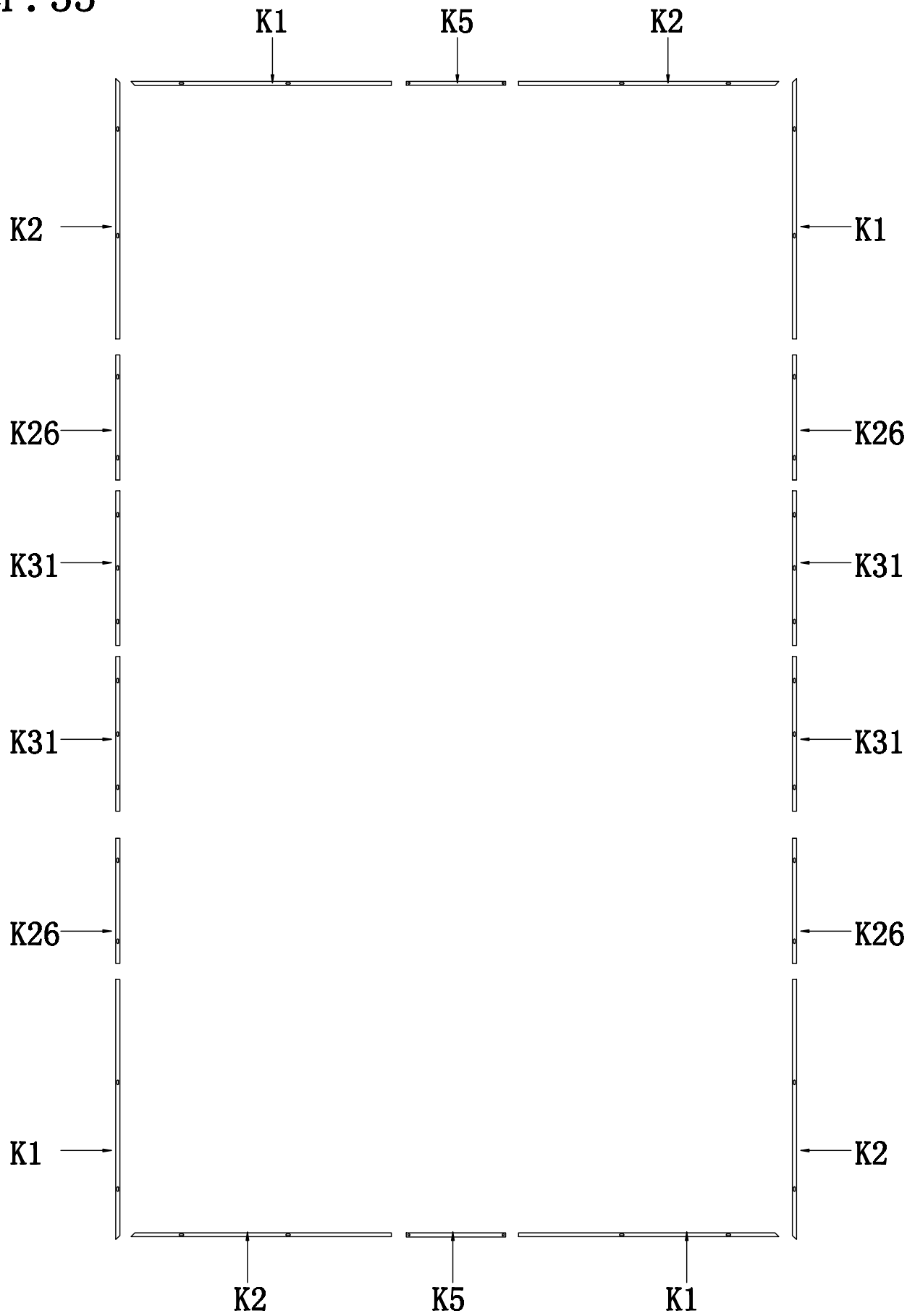


S4 2X

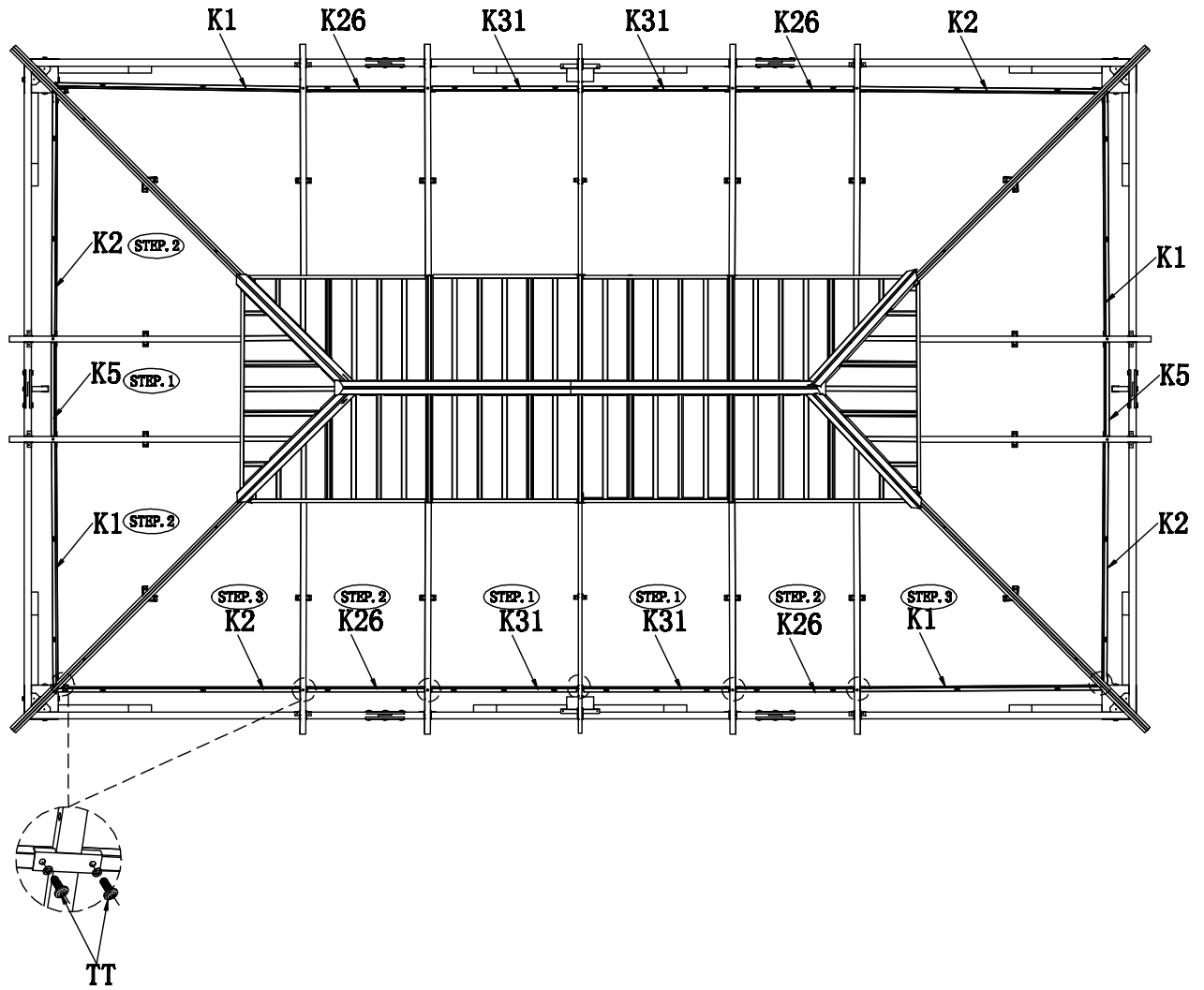
⊙ ⊞ GG 4X



# STEP. 33



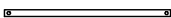
# STEP. 34



(K1) 4X



(K2) 4X



(K5) 2X



(K26) 4X



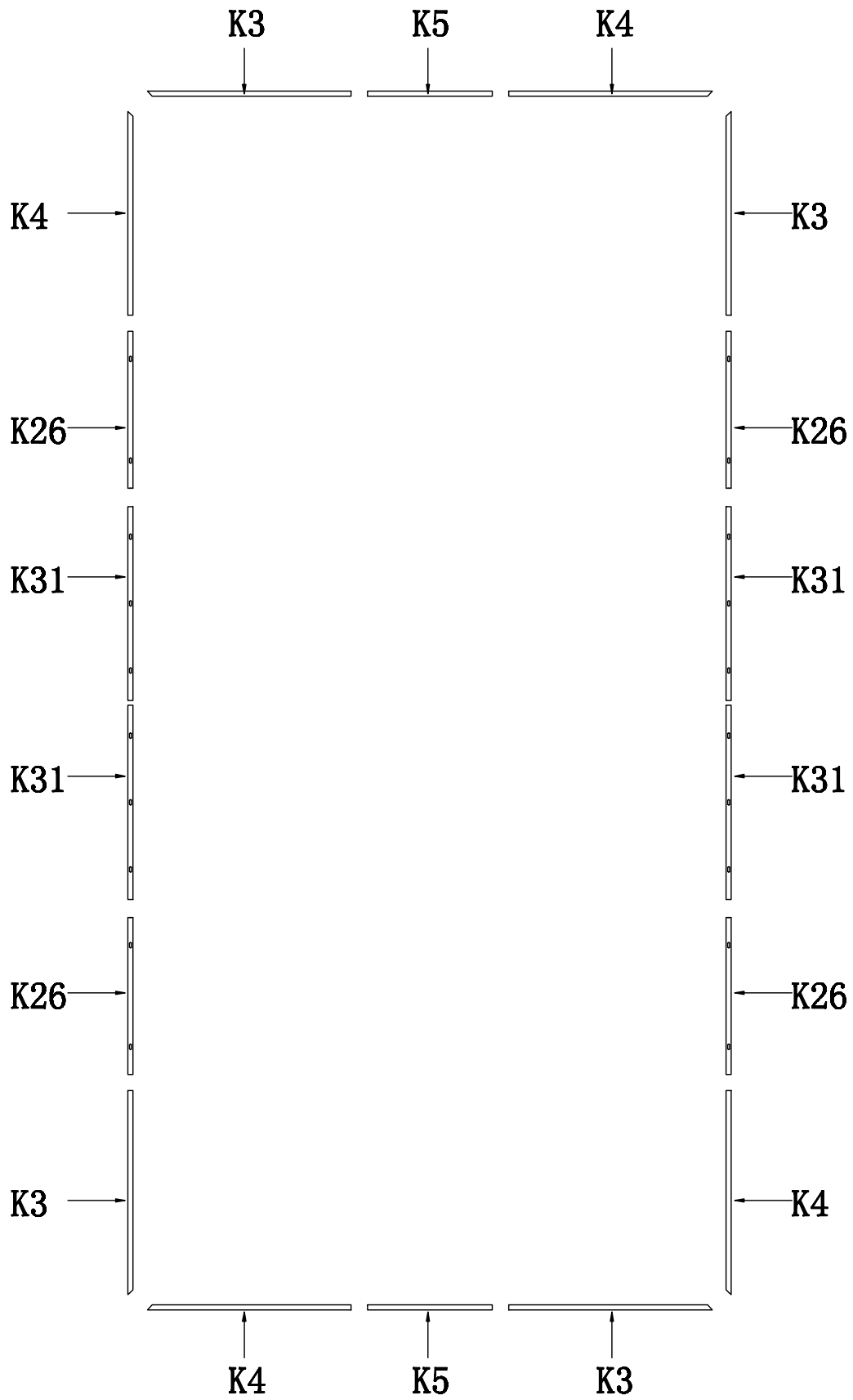
(K31) 4X



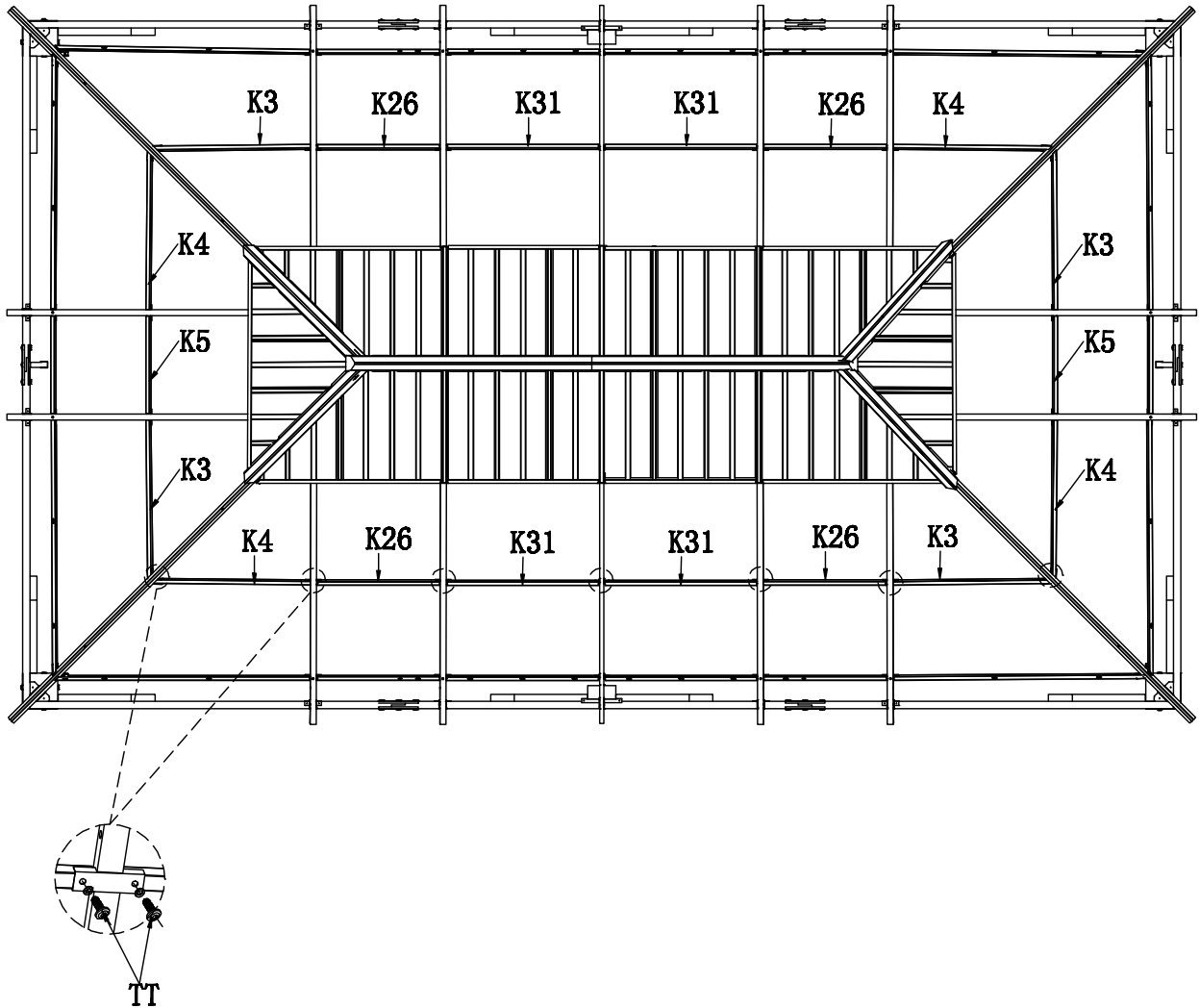
M6X15

(TT) 36X

# STEP. 35



# STEP. 36



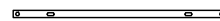
**K3** 4X



**K4** 4X



**K5** 2X



**K26** 4X



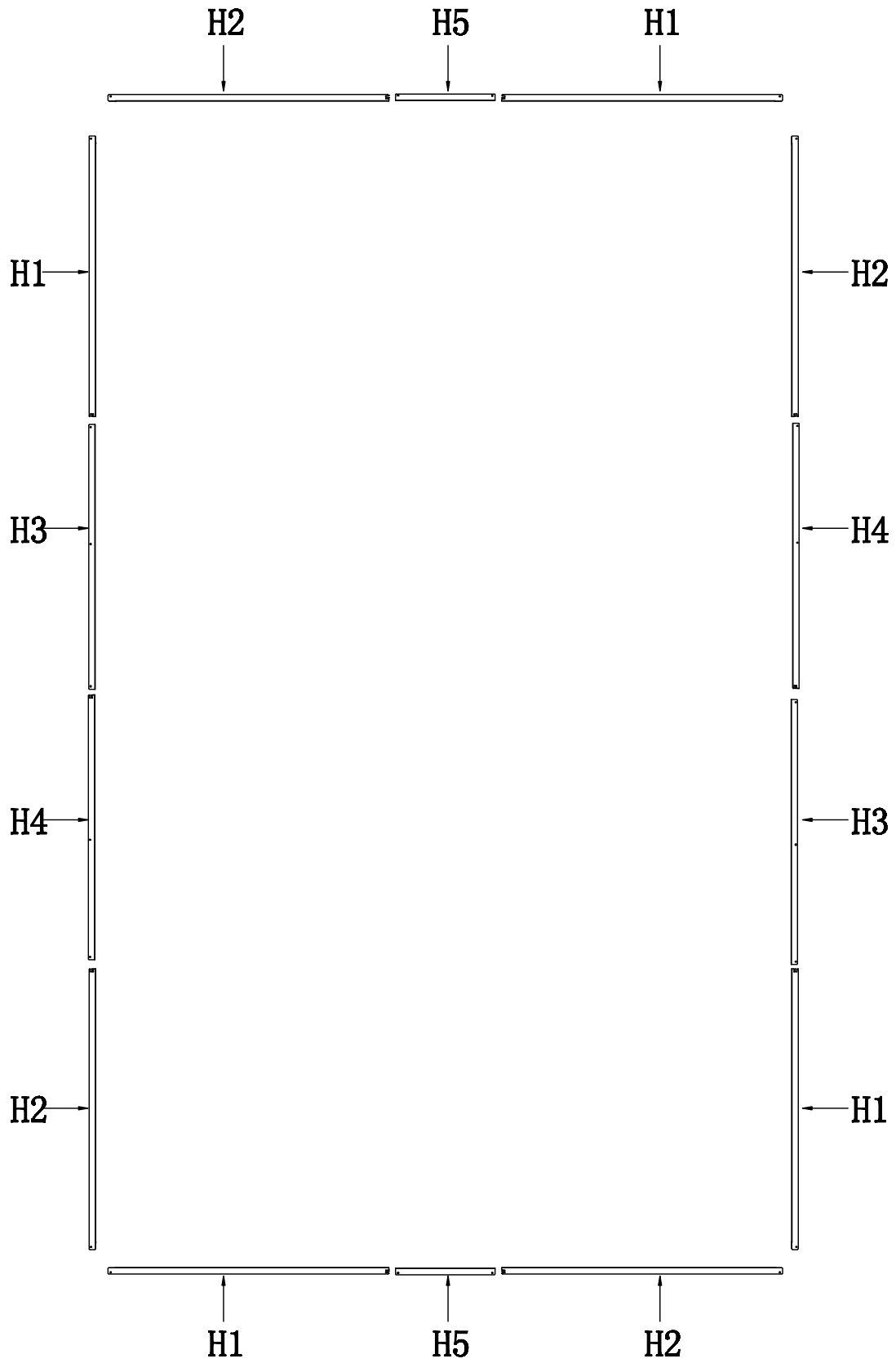
**K31** 4X



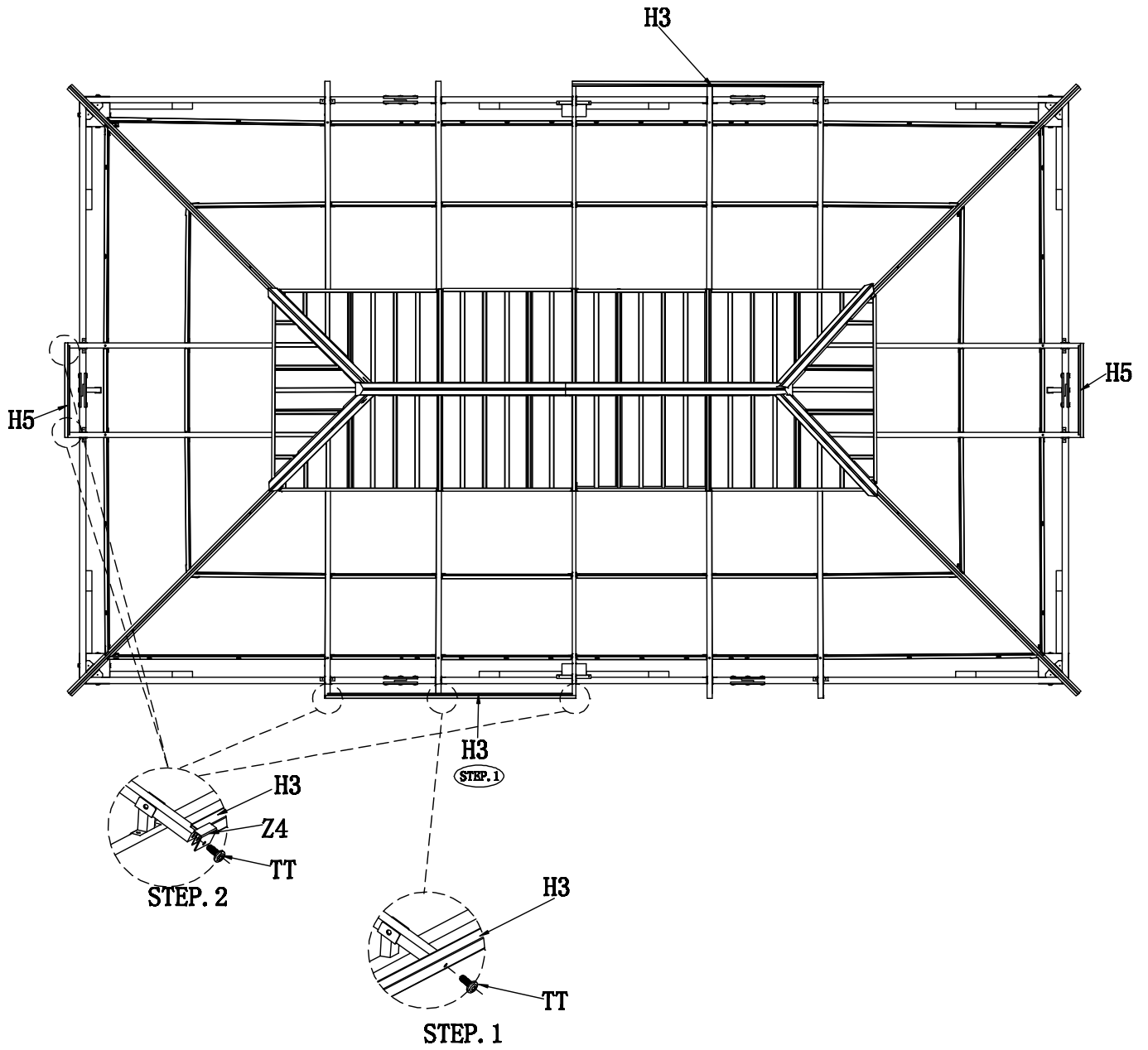
**TT** 36X

M6X15

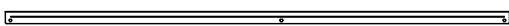
# STEP. 37



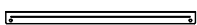
# STEP. 38



螺丝预装, 不拧紧



Ⓜ H3 2X



Ⓜ H5 2X



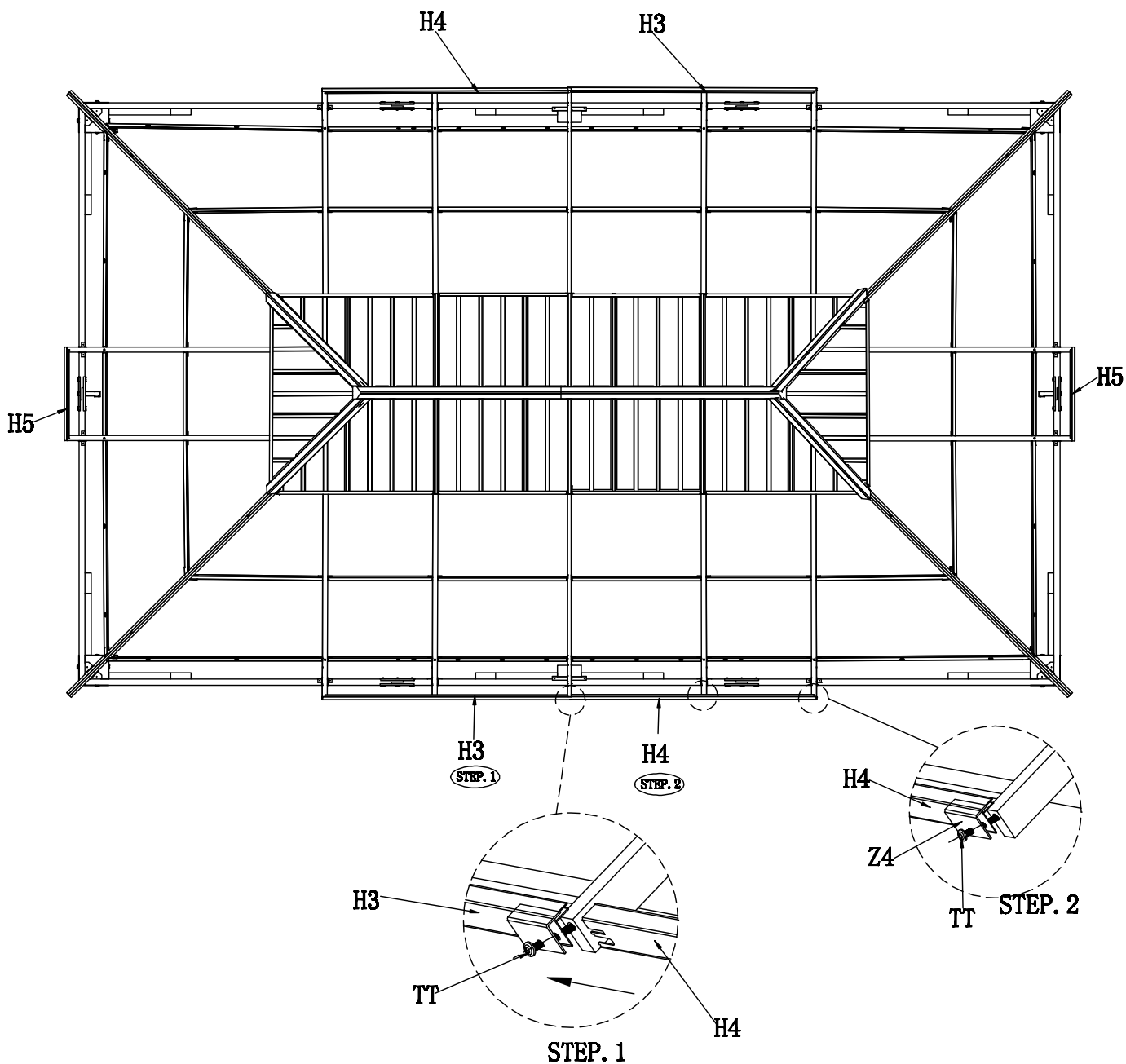
Ⓜ Z4 8X



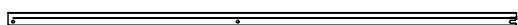
Ⓜ TT 10X

M6X15

# STEP. 39



螺丝预装, 不拧紧



ⓂH4 2X



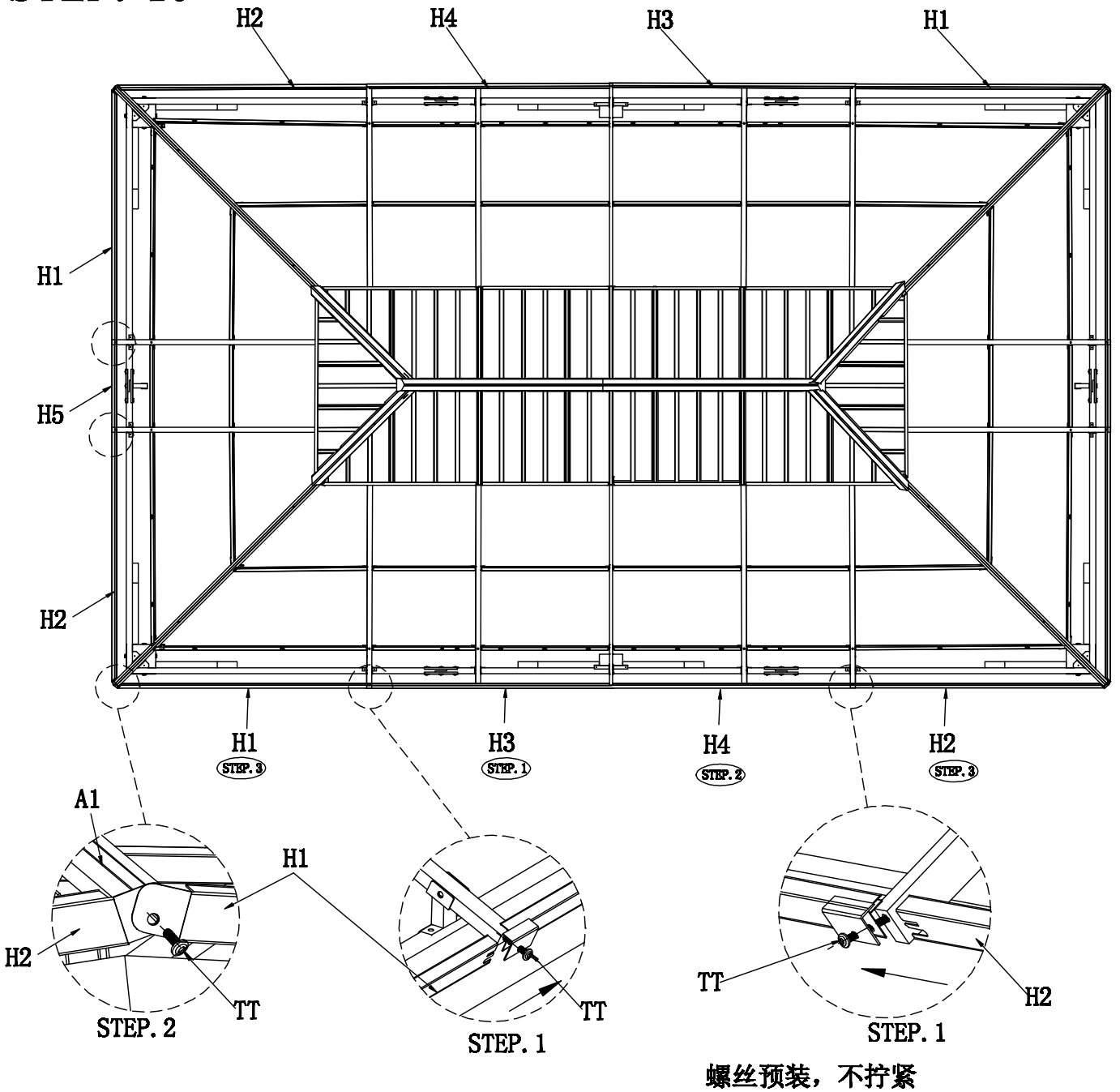
ⓂZ4 2X



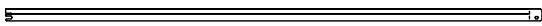
ⓂTT 4X

M6X15

# STEP. 40



螺丝预装，不拧紧



Ⓜ H1 4X



Ⓜ H2 4X

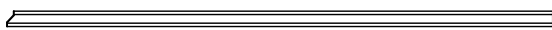
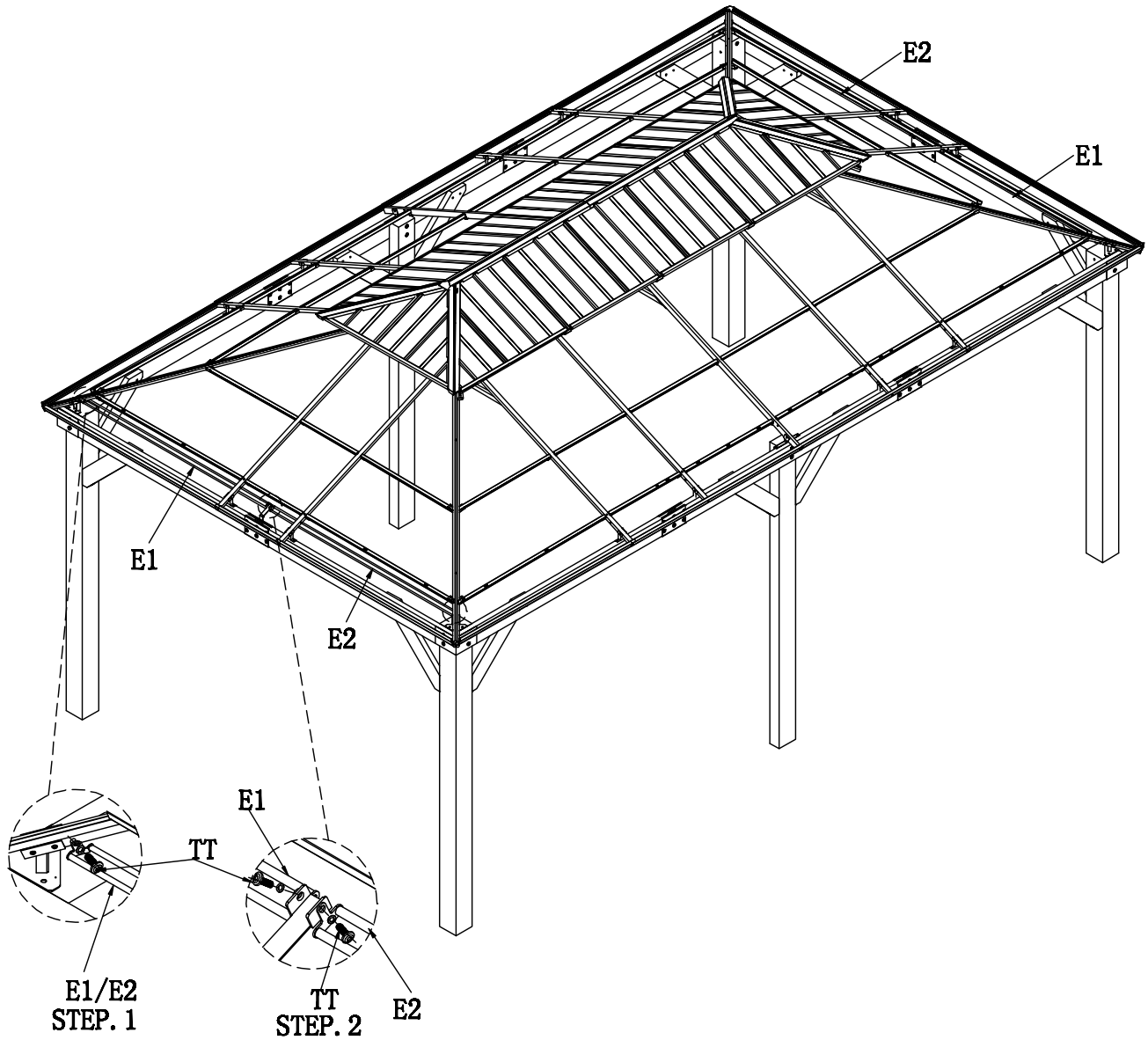


Ⓜ TT 4X

M6X15



# STEP. 41



Ⓔ 2X



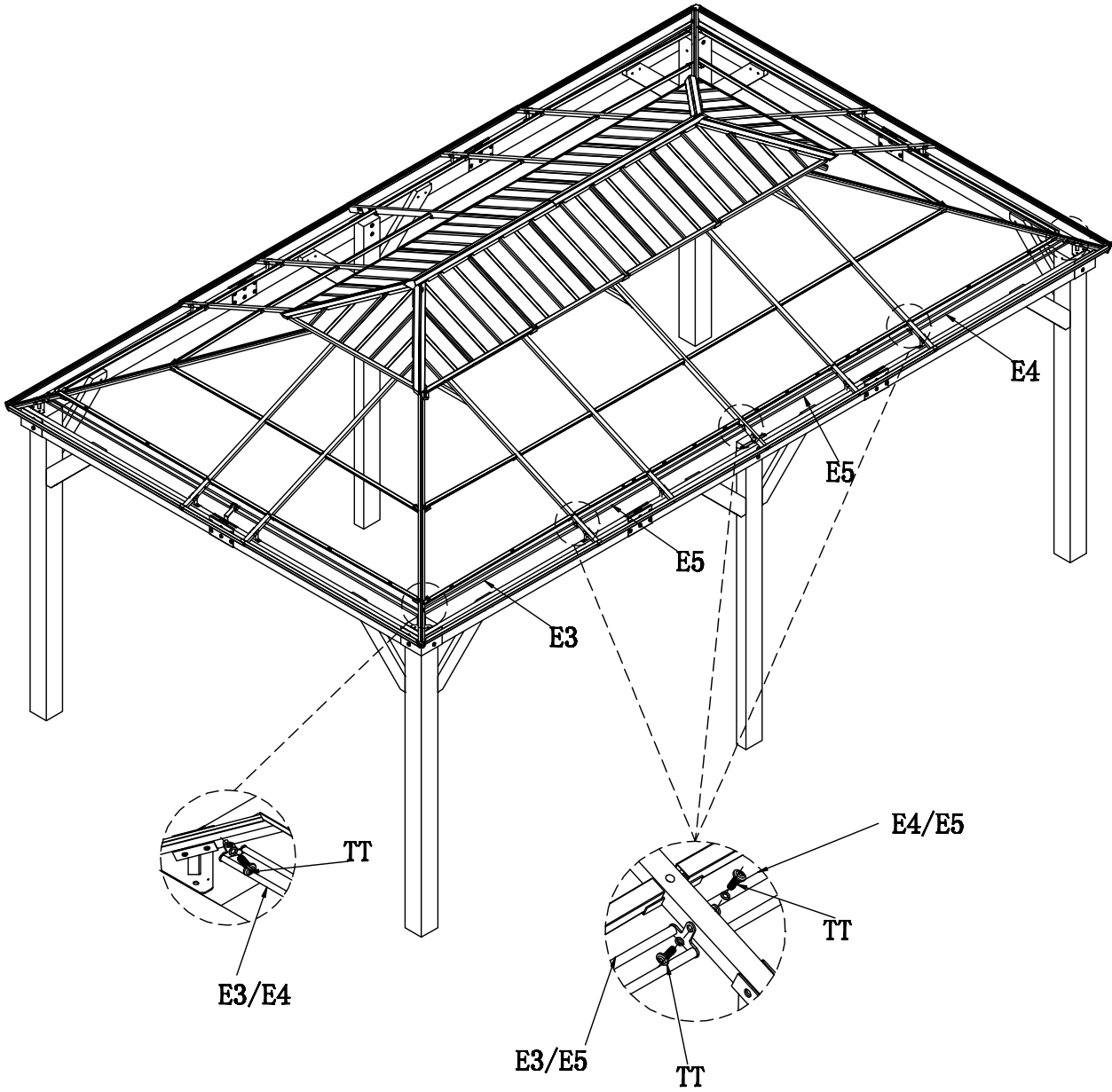
Ⓔ 2X



Ⓣ 8X

M6X15

# STEP. 42



Ⓔ3 2X



Ⓔ4 2X



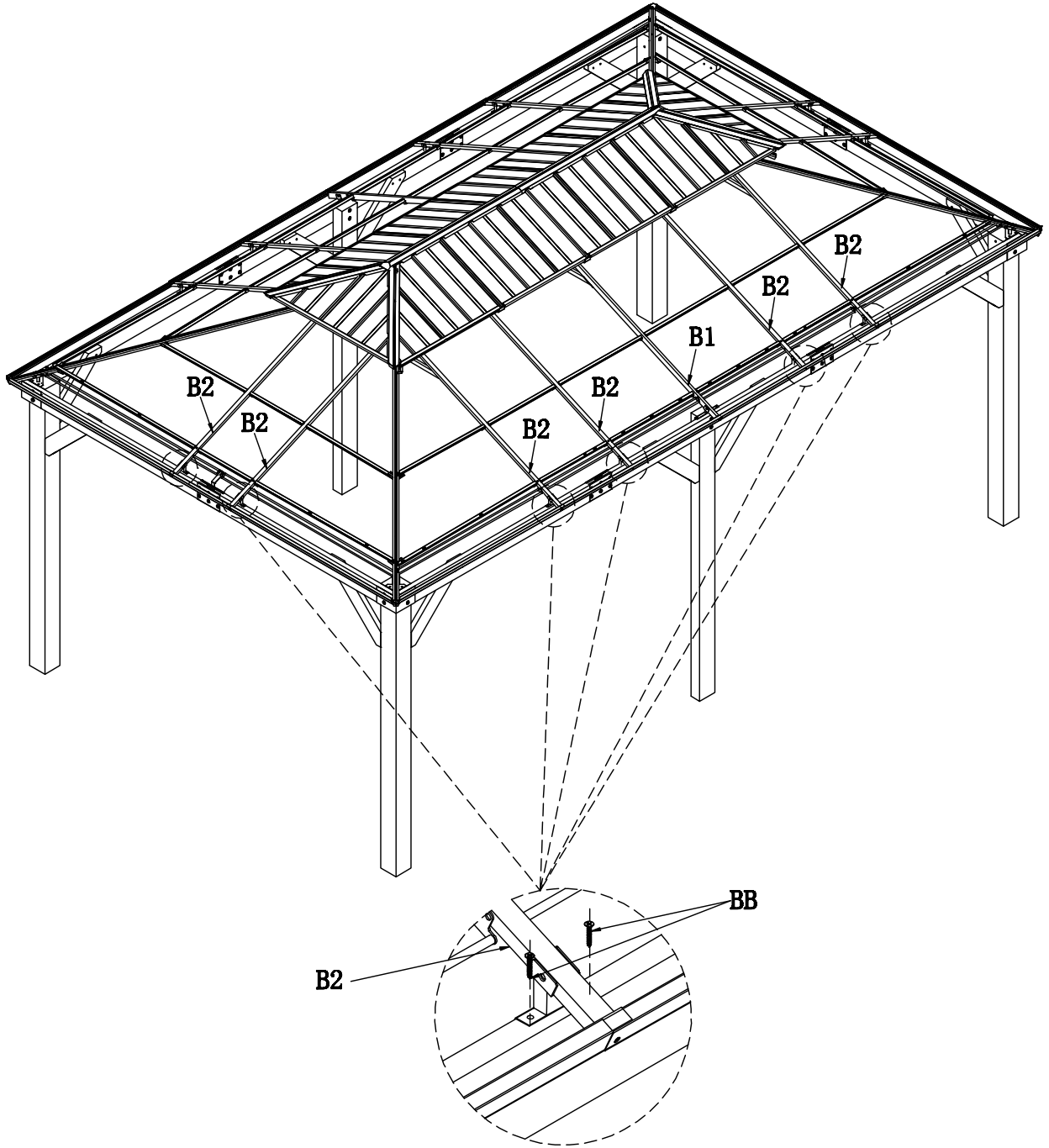
Ⓔ5 4X



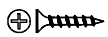
M6X15

Ⓔ1 16X

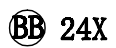
# STEP. 43



前道工序所有预装的螺丝拧紧，再打螺丝BB

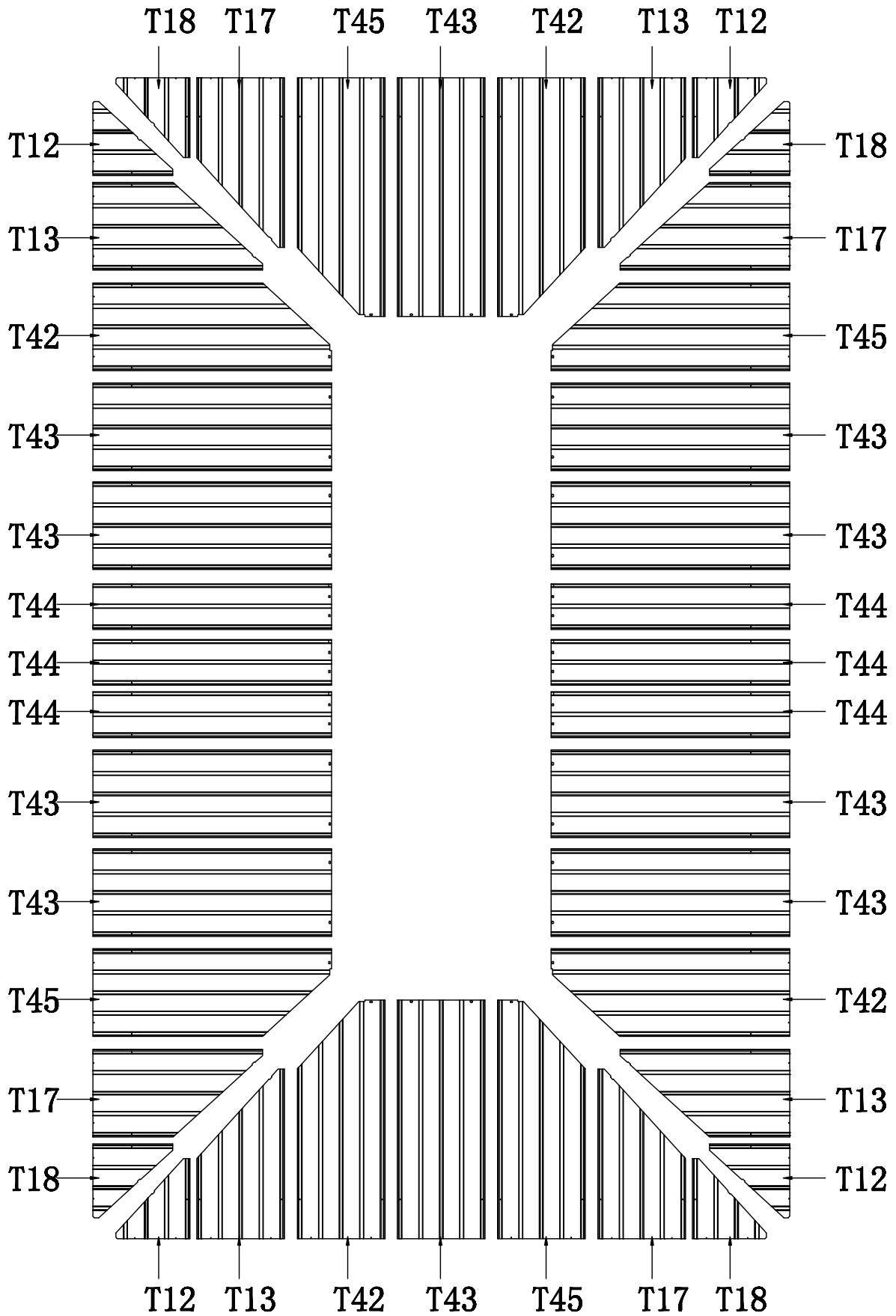


M5X30

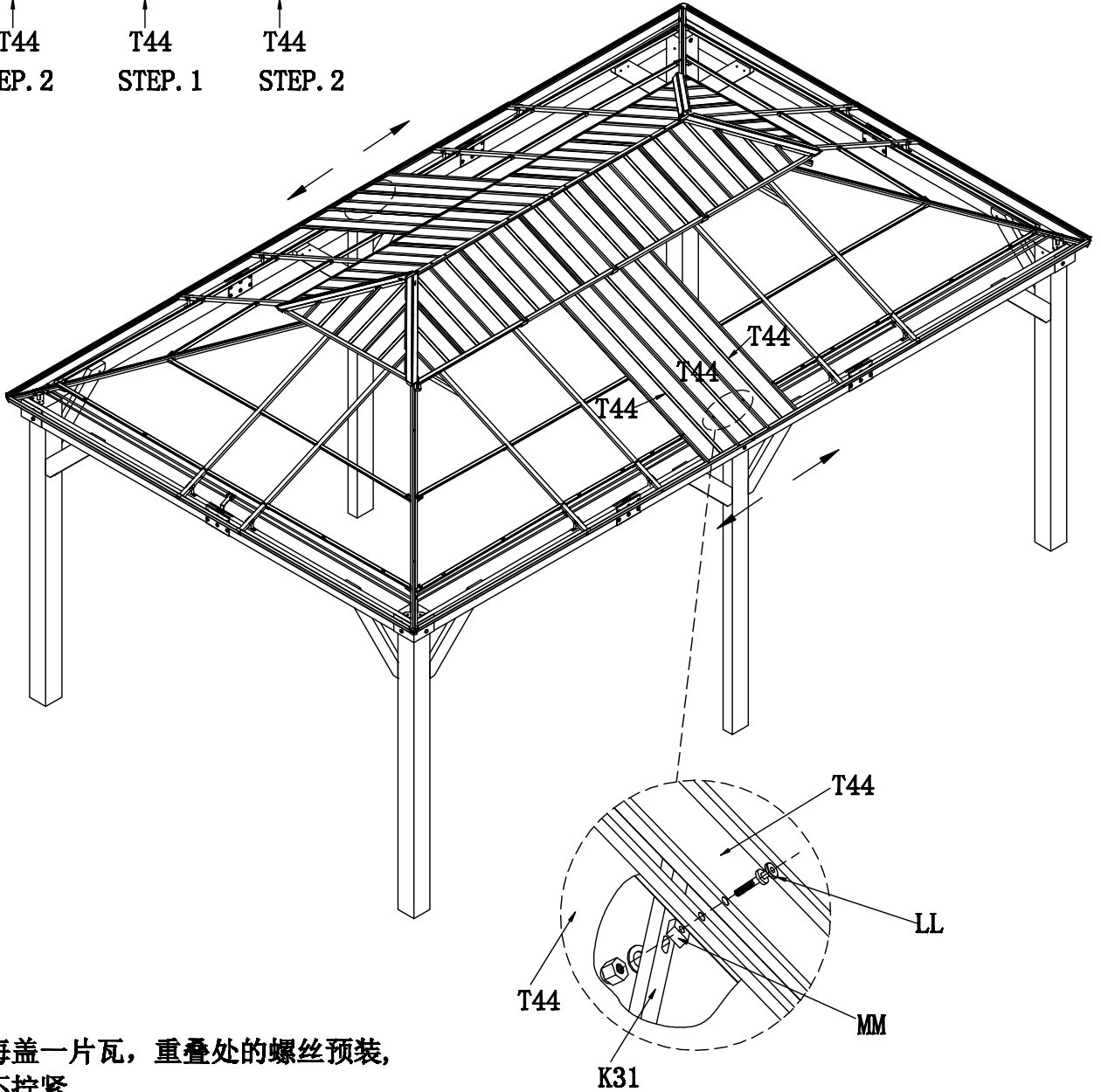
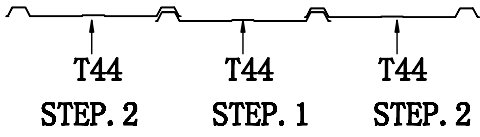


BB 24X

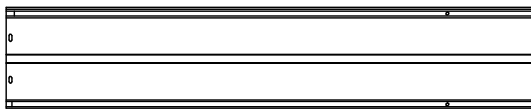
# STEP. 44



# STEP. 45



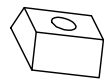
每盖一片瓦，重叠处的螺丝预装，不拧紧



T44 6X

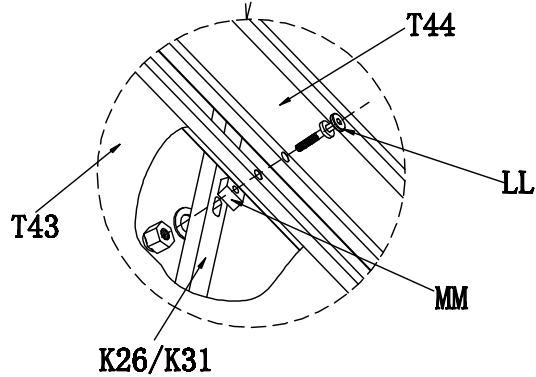
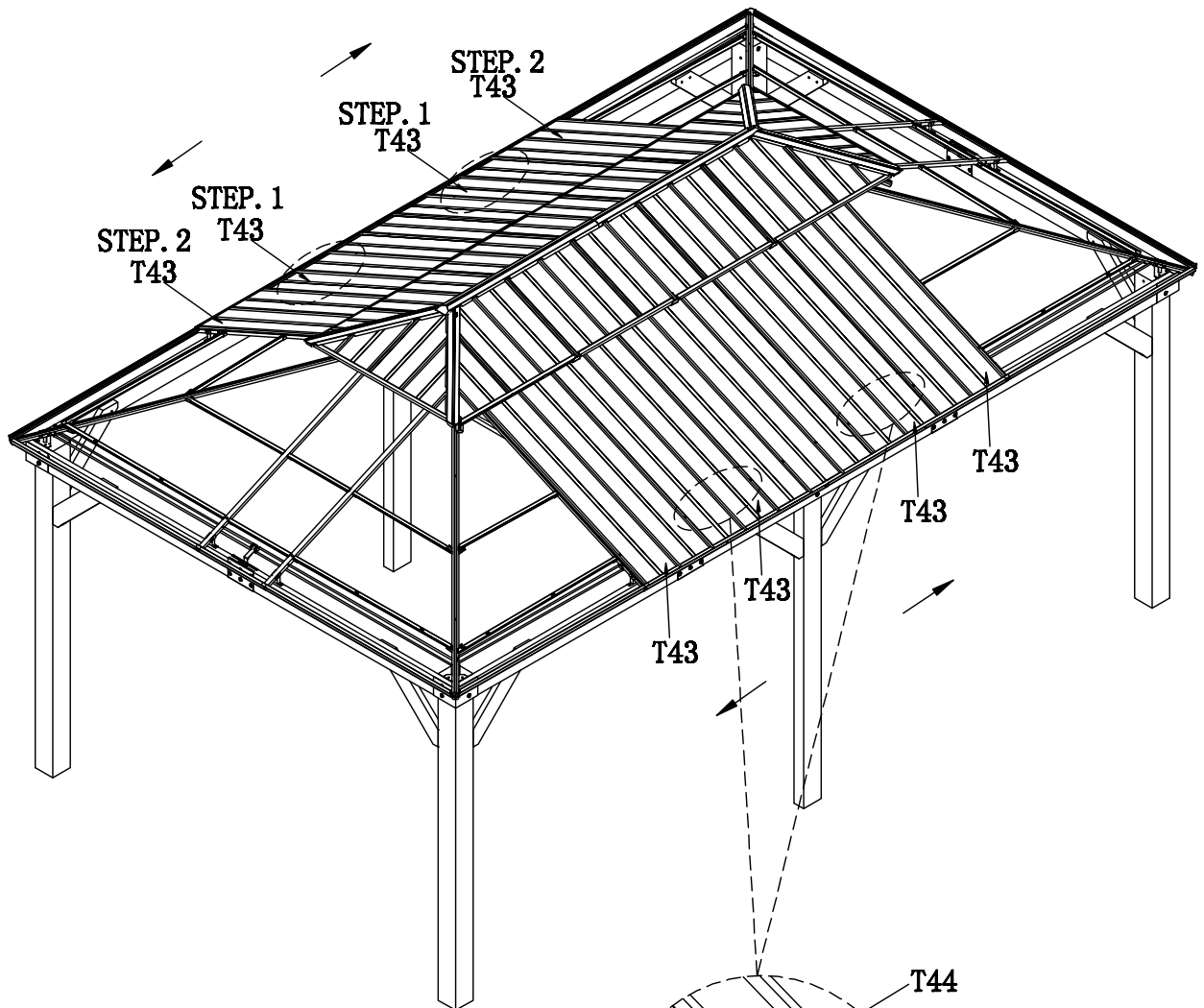


M6X45 LL 4X

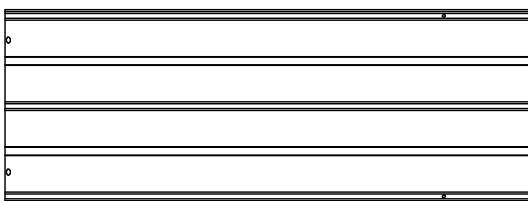


MM 4X

# STEP. 46



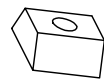
每盖一片瓦，重叠处的螺丝预装，  
不拧紧



**T43 8X**

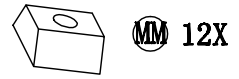
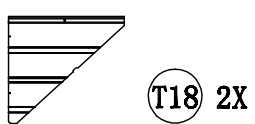
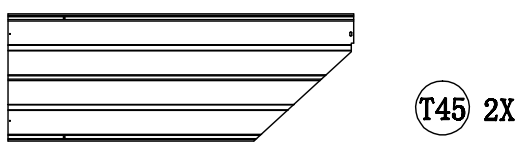
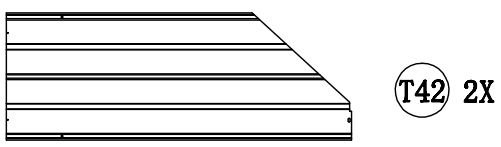
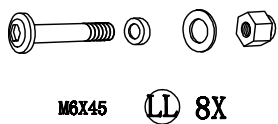
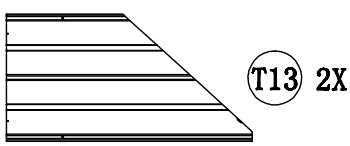
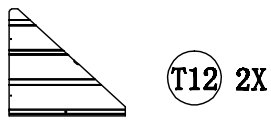
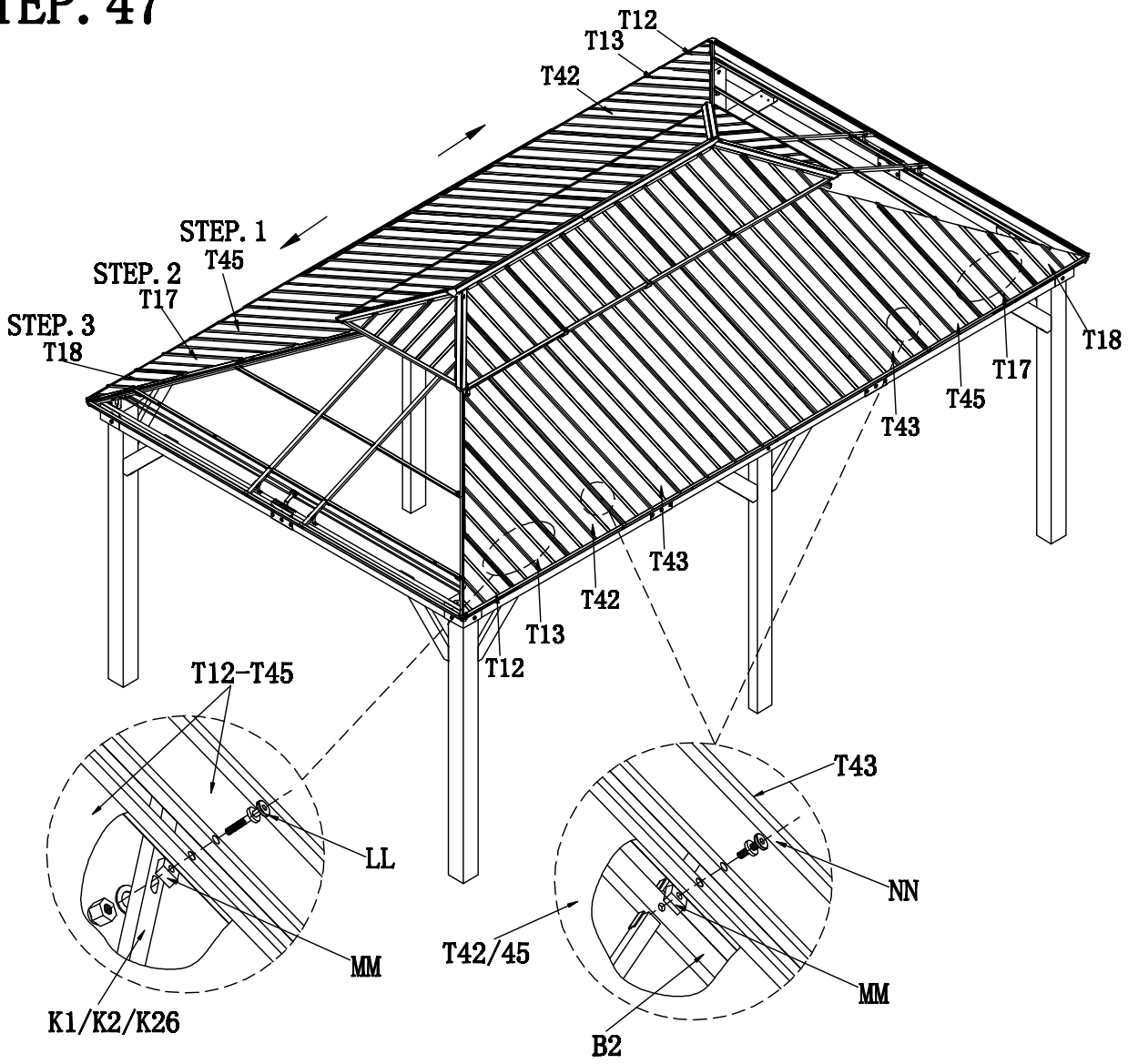


**M6X45 LL 8X**

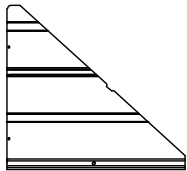
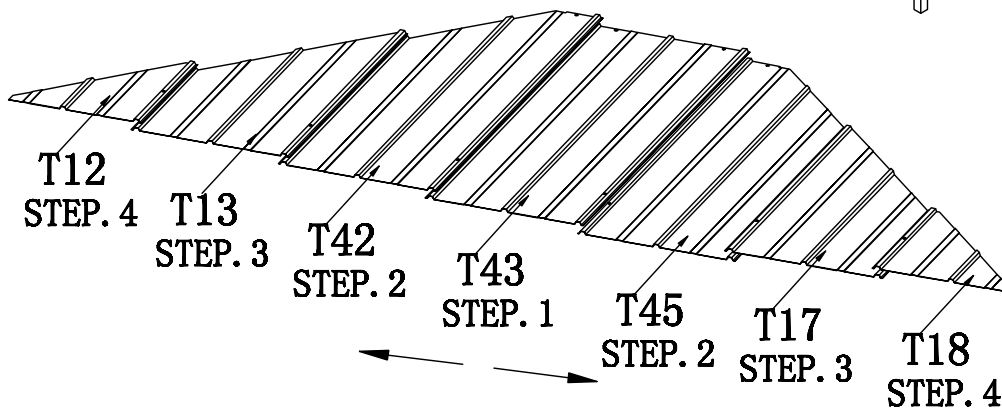
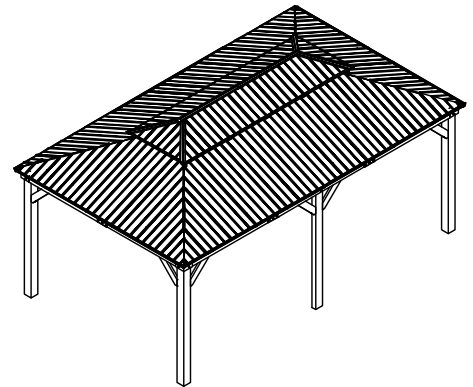


**MM 8X**

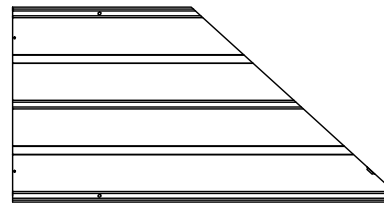
# STEP. 47



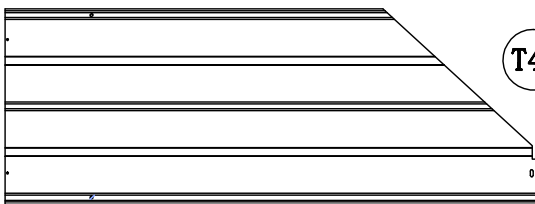
# STEP. 48



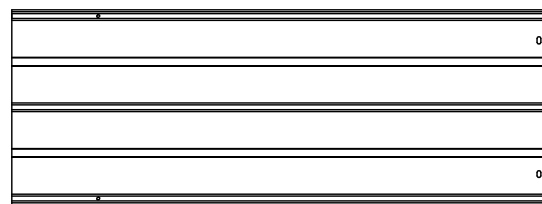
(T12) 2X



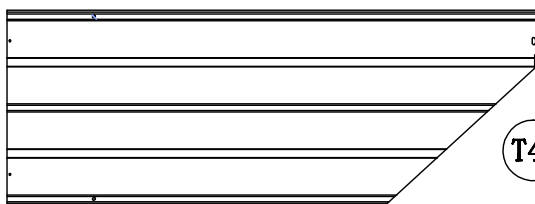
(T13) 2X



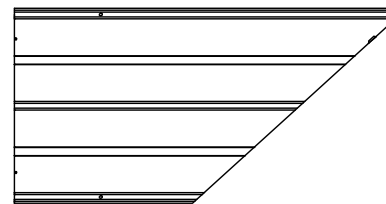
(T42) 2X



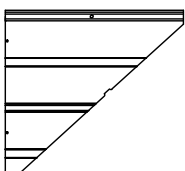
(T43) 2X



(T45) 2X



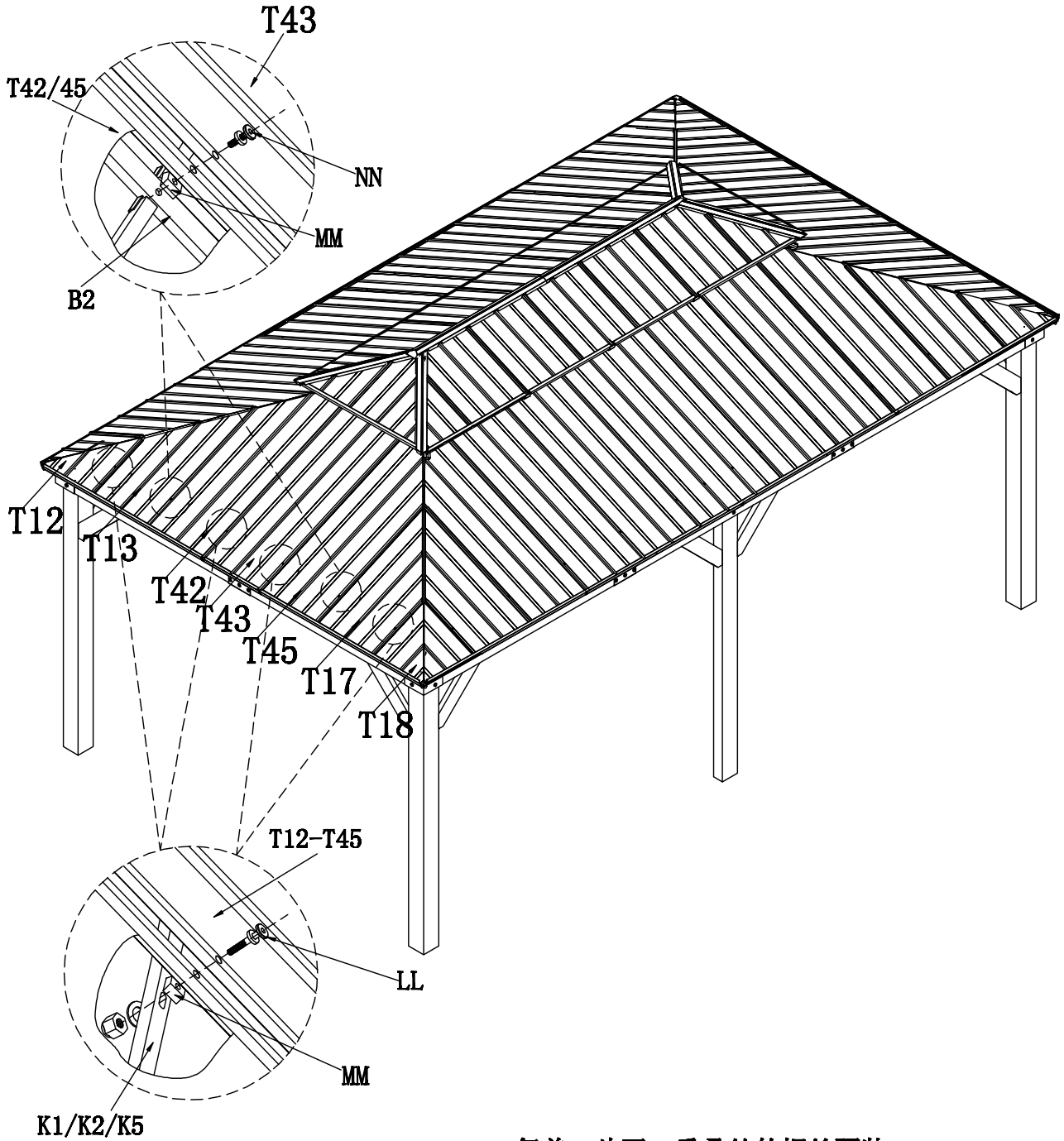
(T17) 2X



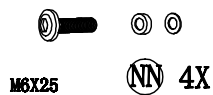
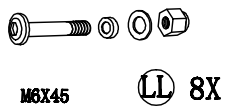
(T18) 2X



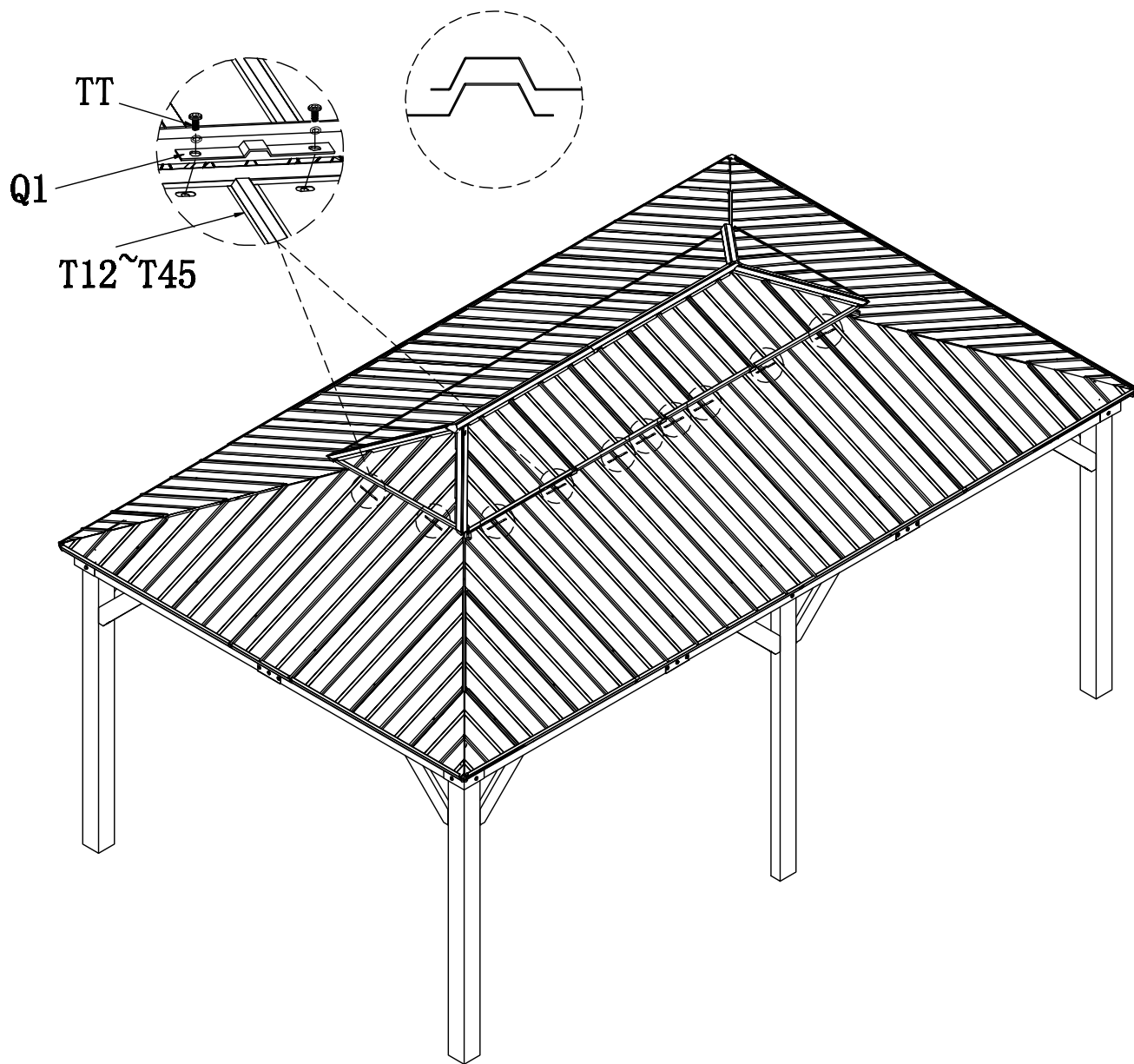
# STEP. 49



每盖一片瓦，重叠处的螺丝预装，  
不拧紧



# STEP. 50



螺丝TT锁紧后，前面预装螺丝LL拧紧



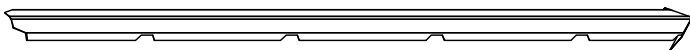
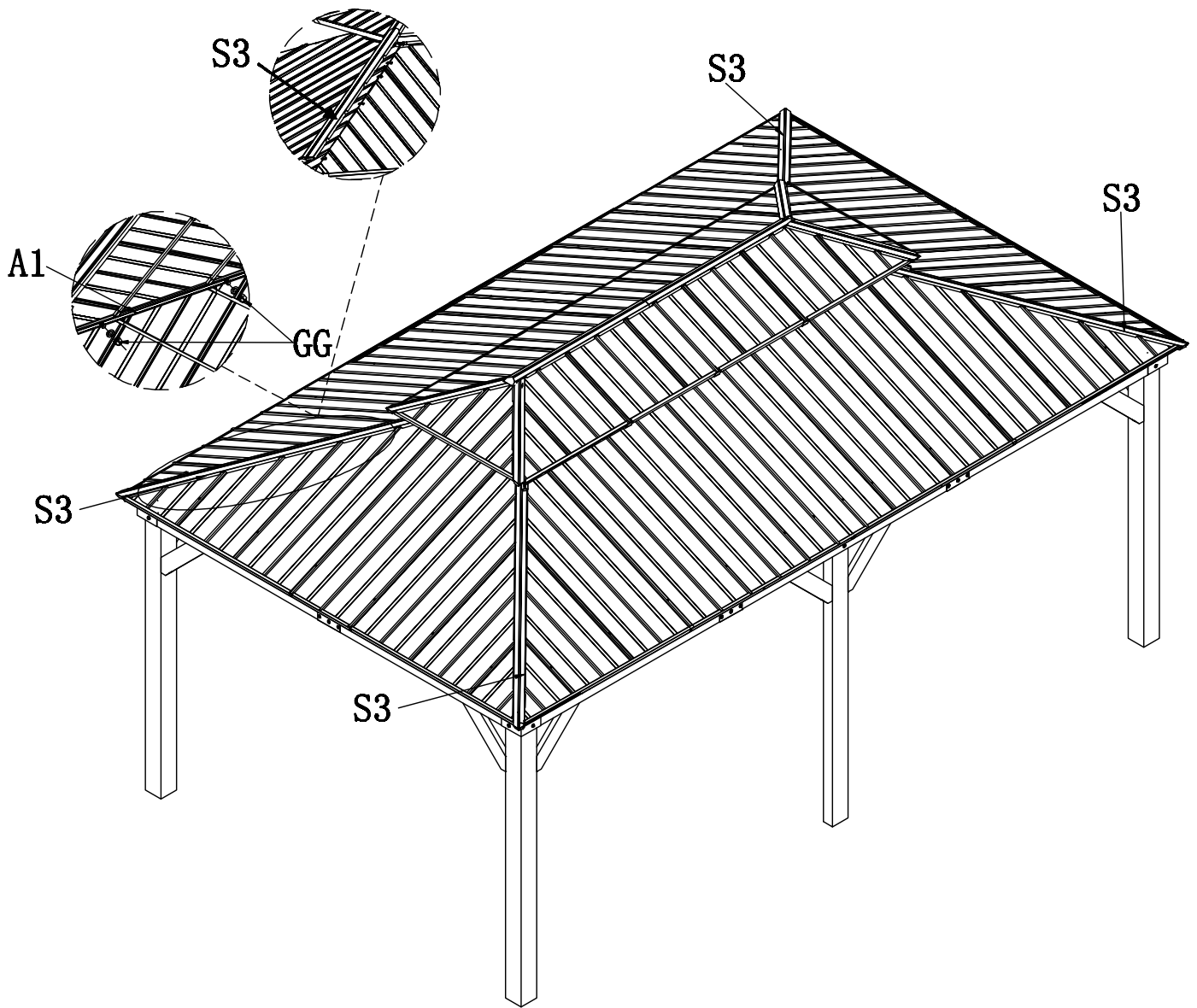
Q1 20X



TT 40X

M6X15

# STEP. 51

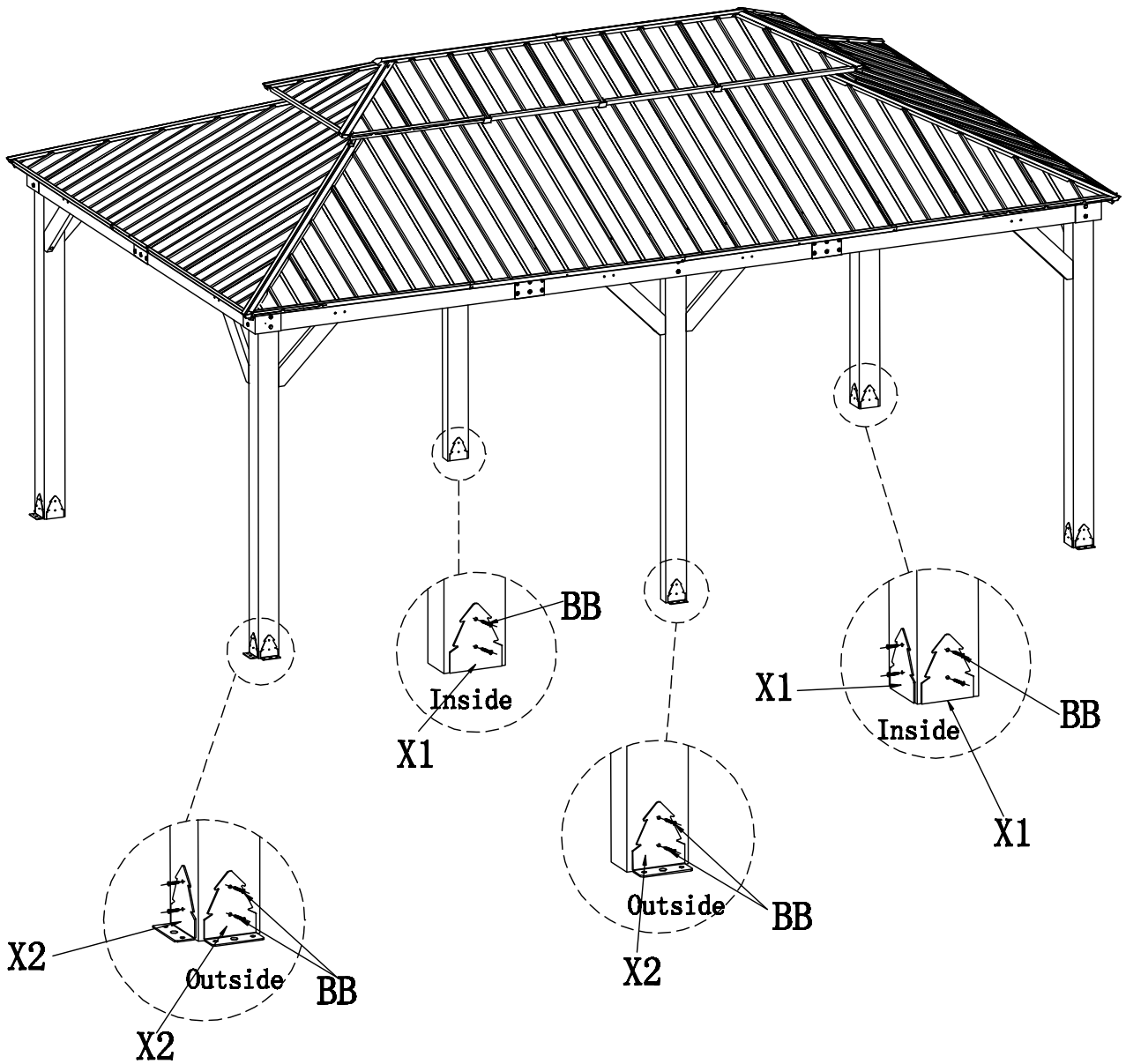


**S3** 4X



**GG** 8X

# STEP. 52



ⓧ 10X



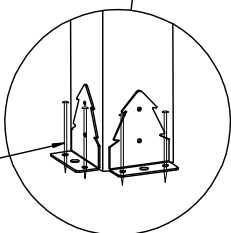
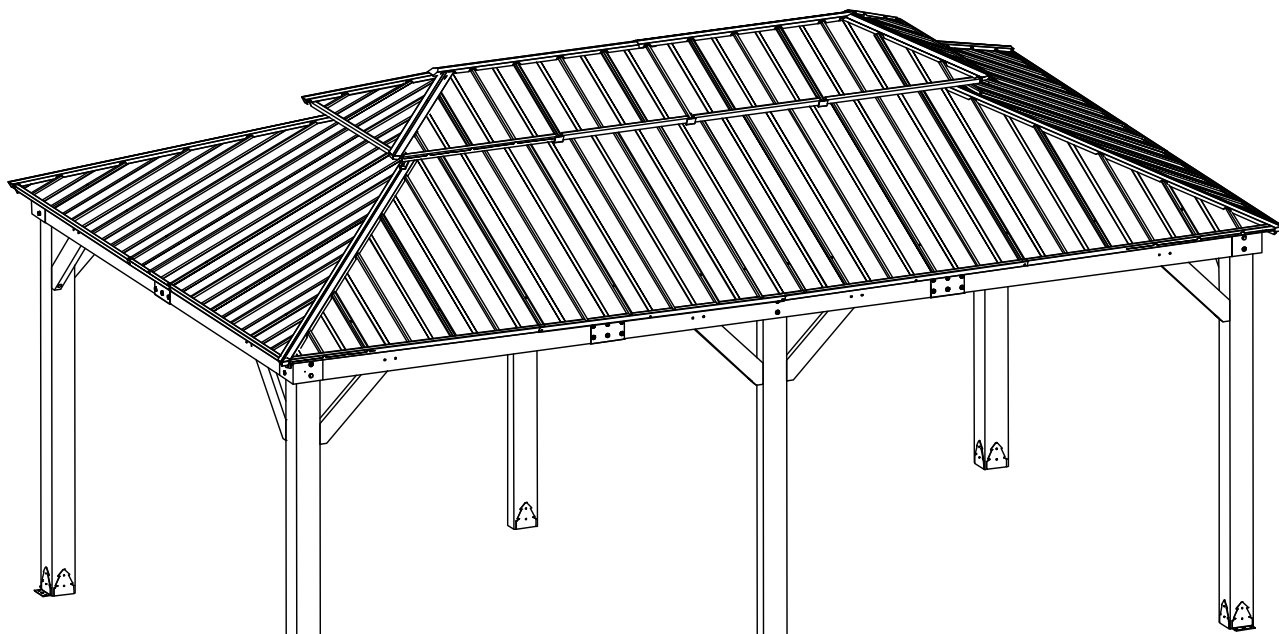
ⓧ 10X



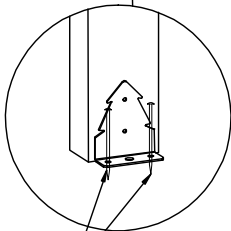
ⓧ 40X

M5X30

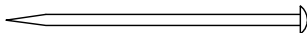
# STEP. 53



UU



UU



UU 20X