
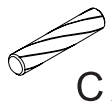
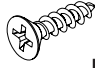

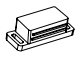
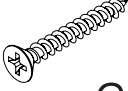
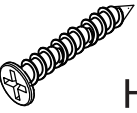


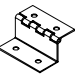
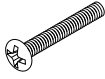

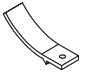



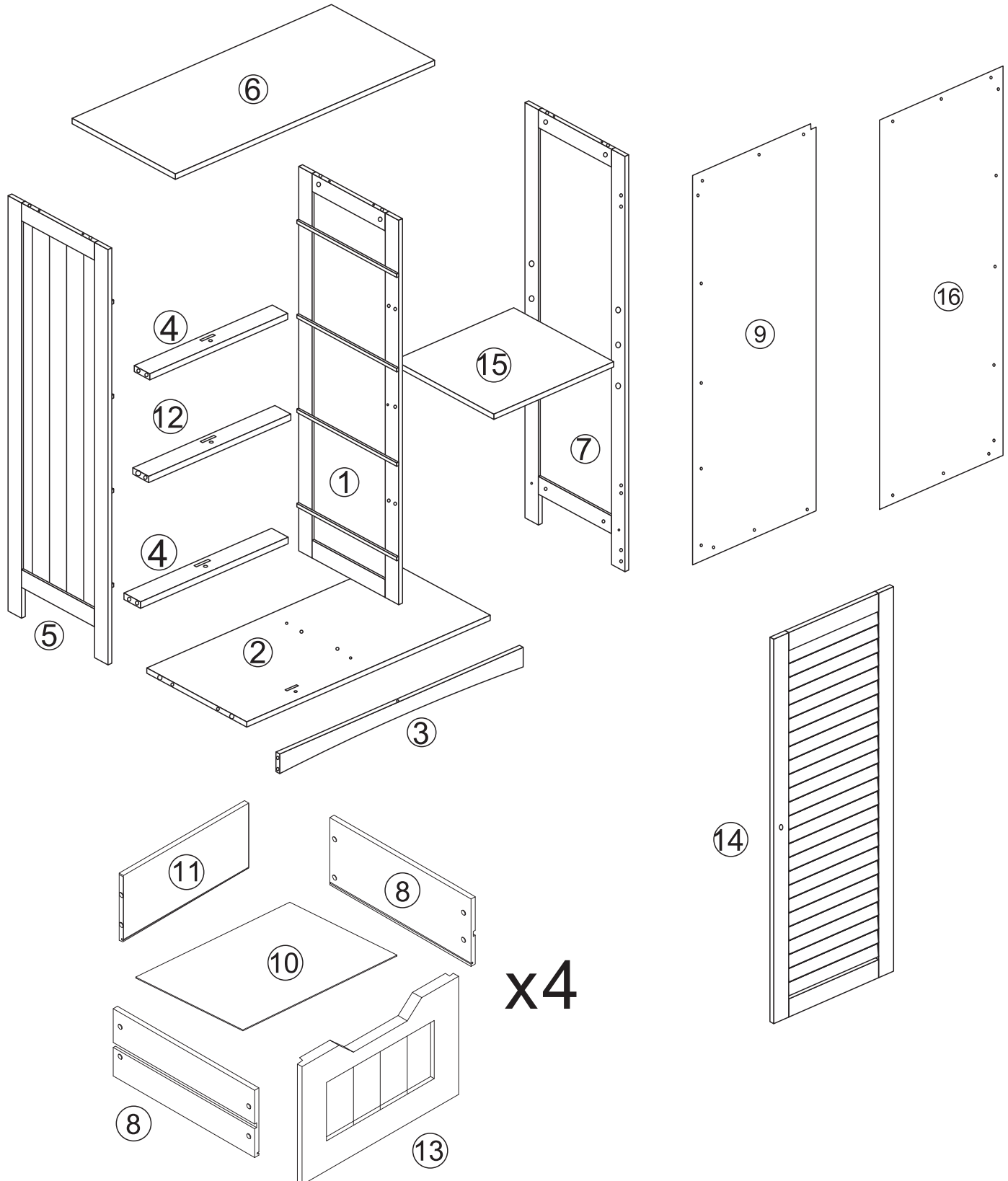
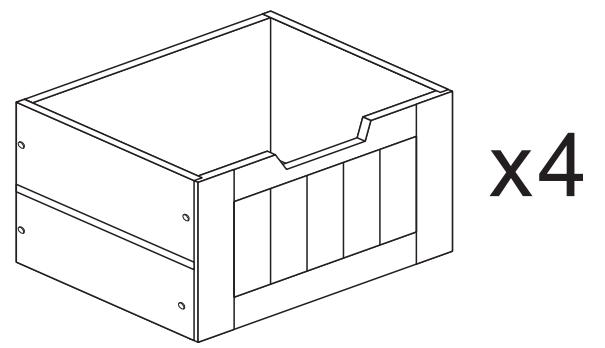
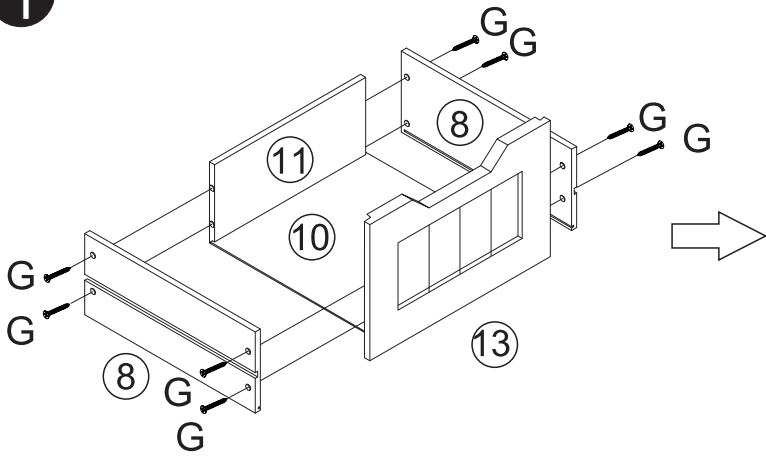
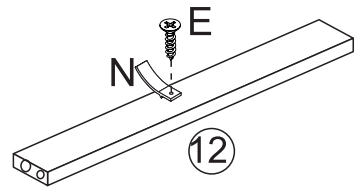
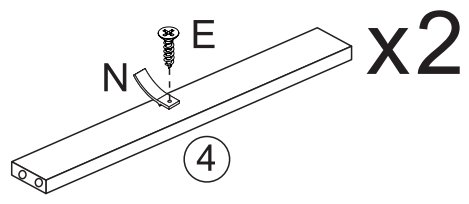
 Ax12	 Bx12	 Cx27	 Dx2	 Ex13	 Fx1	 Gx32
 Hx2	 Ix1	 Jx25	 Kx2	 Lx1	 Mx1	 Nx4
 Ox4	 Px1	 Qx1				



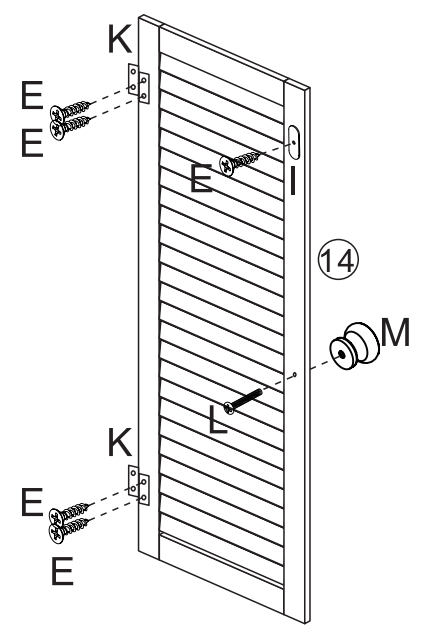
1



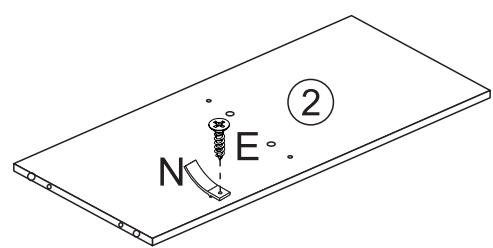
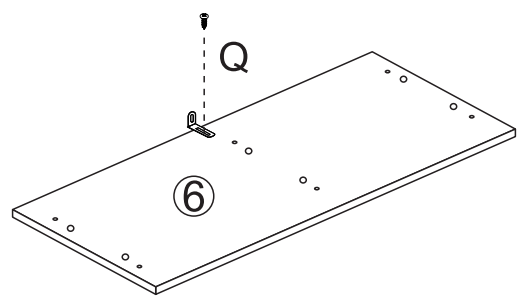
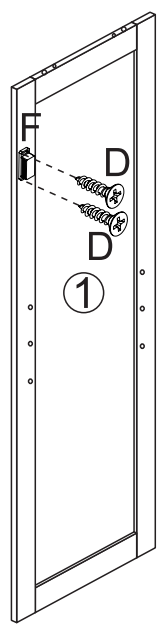
2



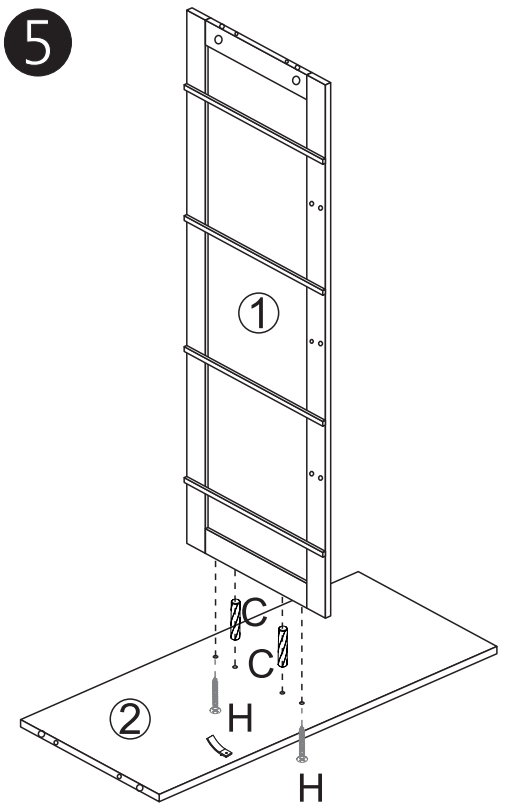
3



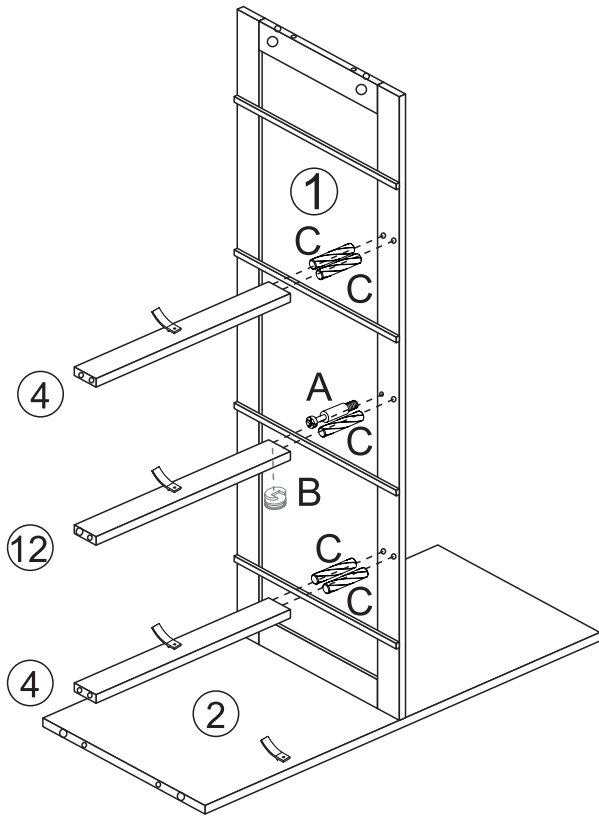
4



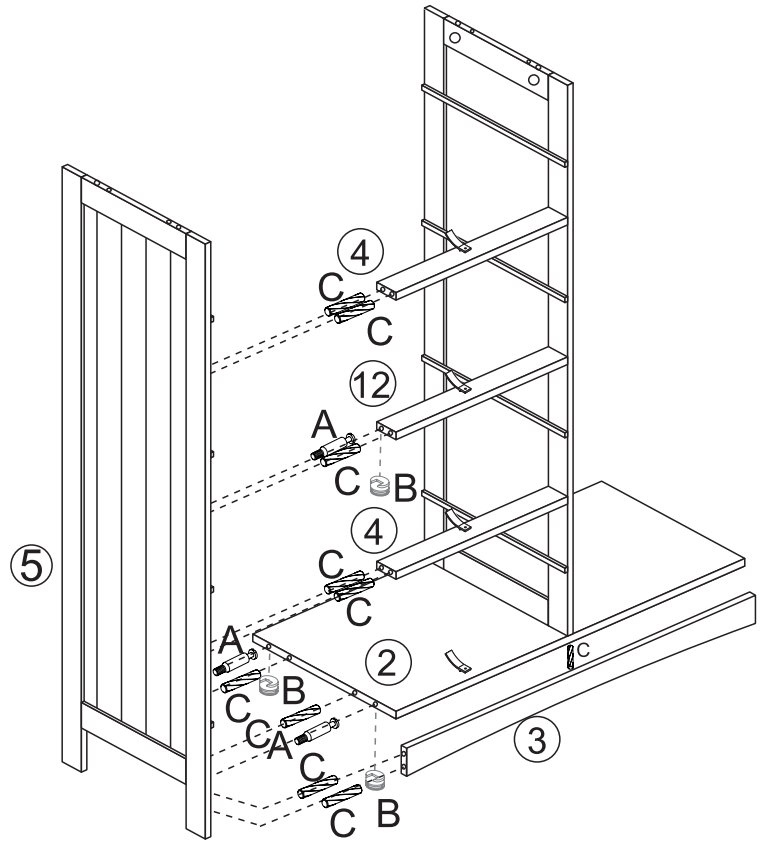
5



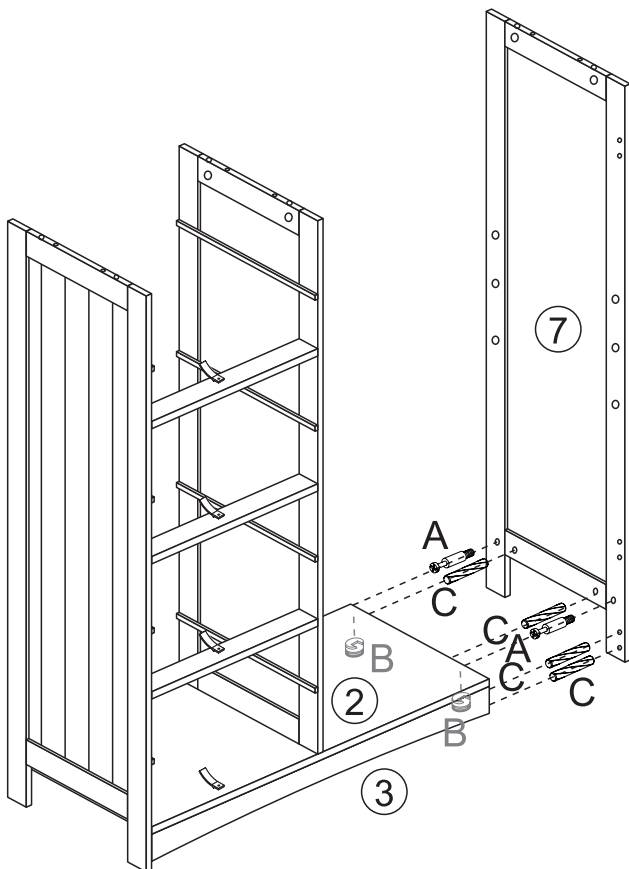
6



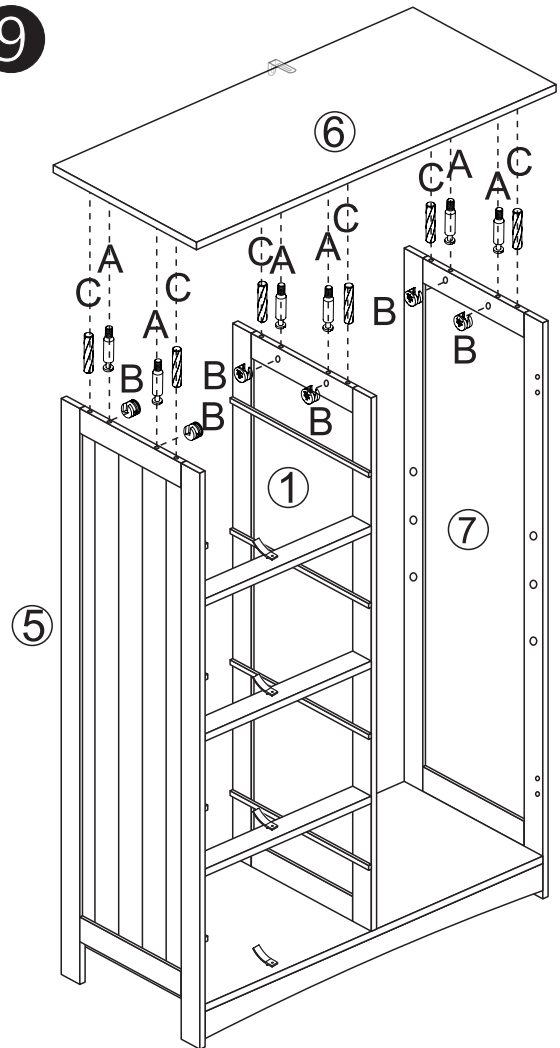
7



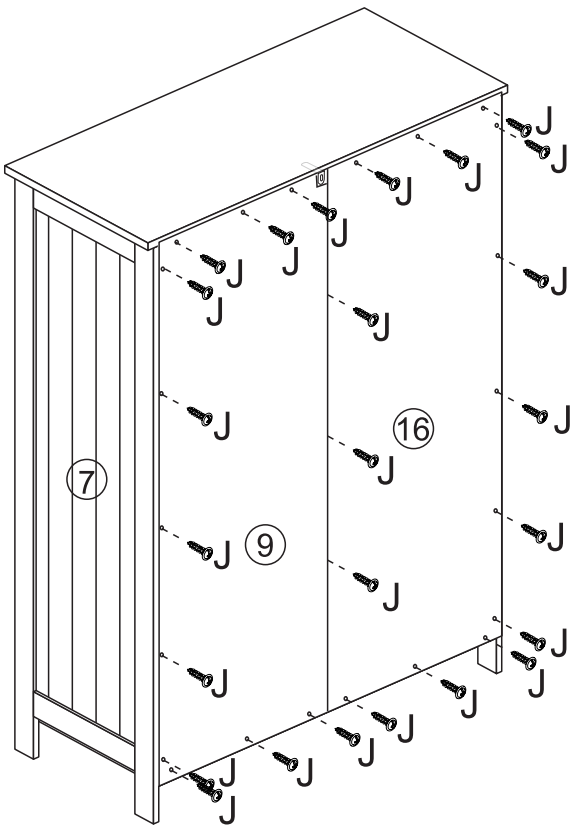
8



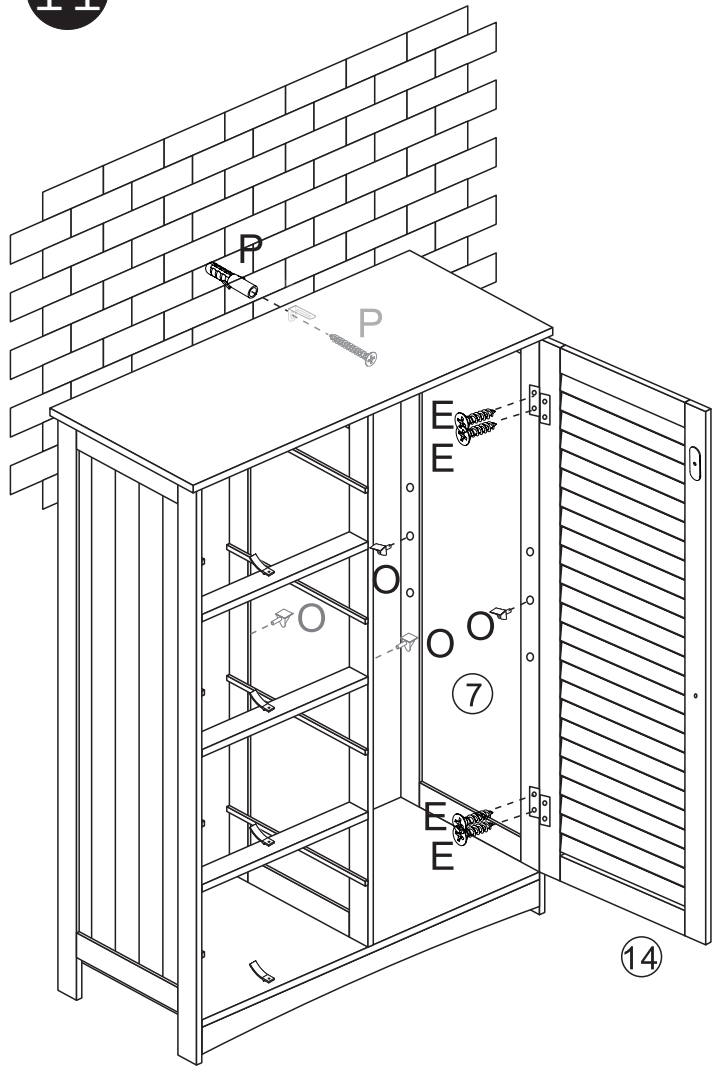
9



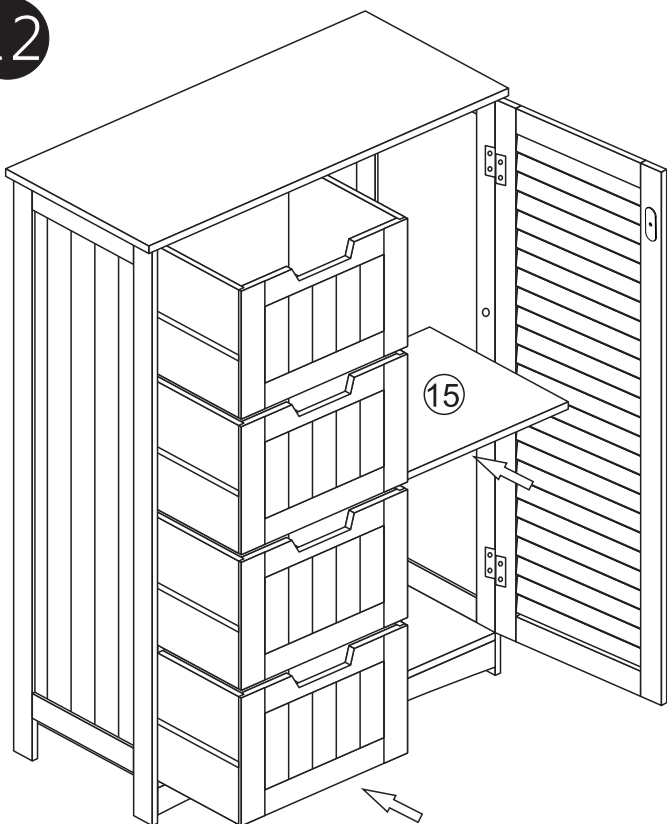
10



11



12



13

