

ax12



bx20



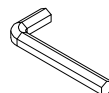
cx16



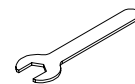
dx2



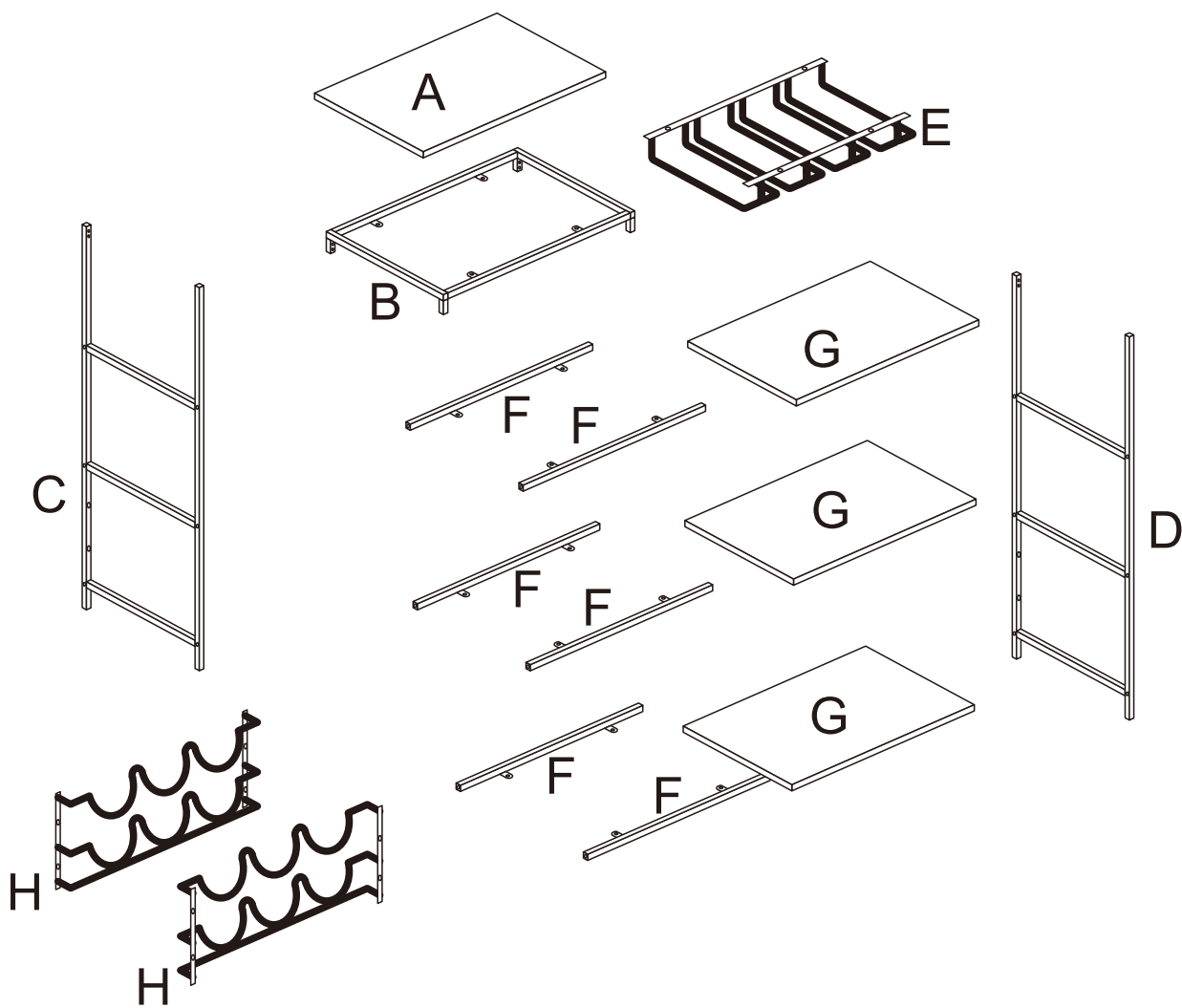
ex2



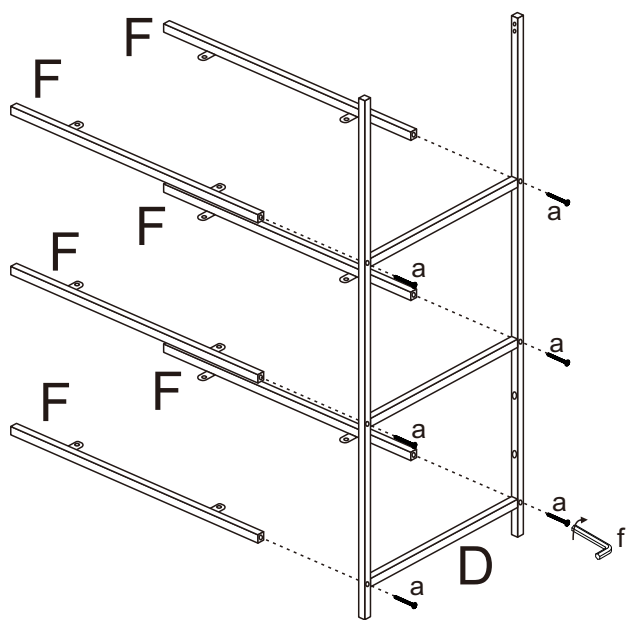
fx1



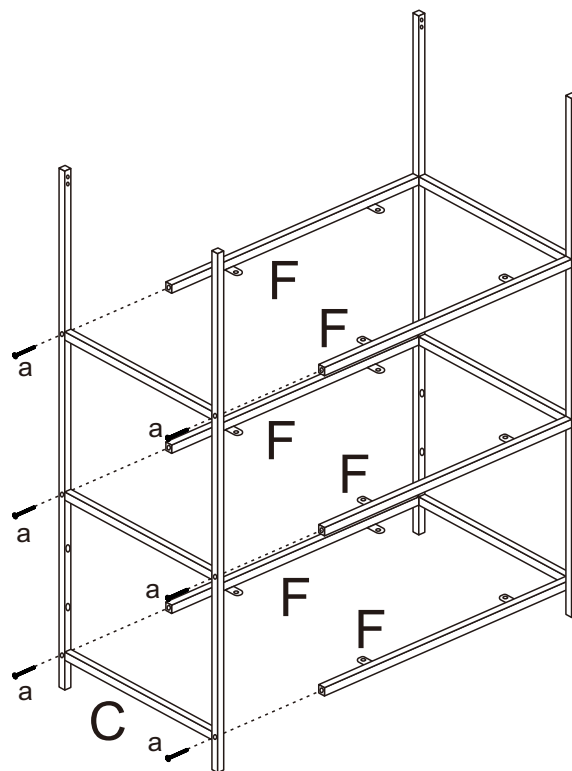
gx1



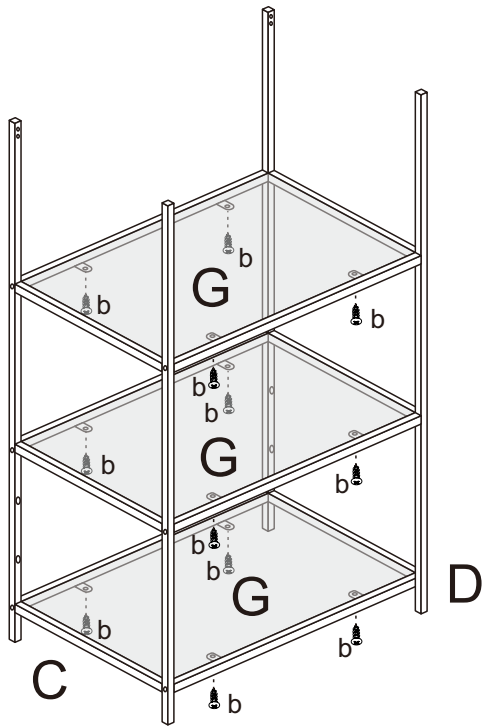
1



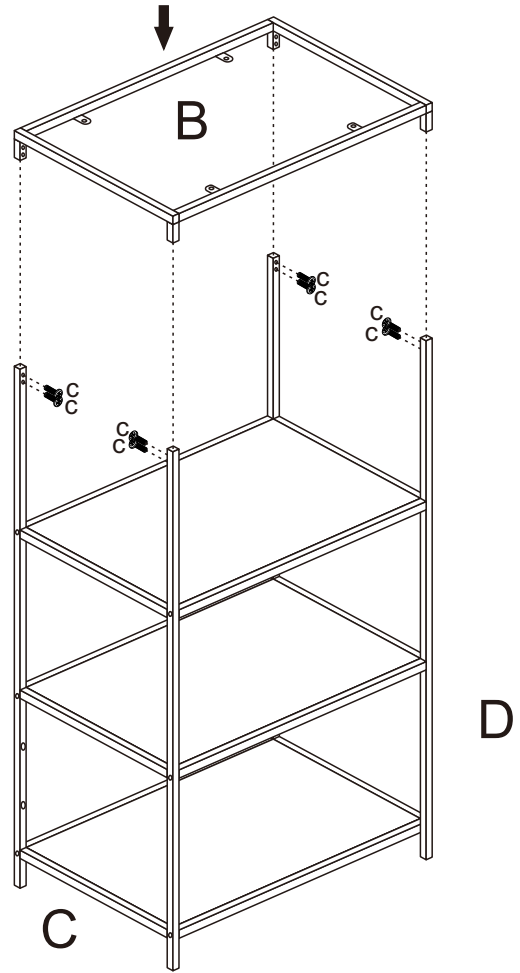
2



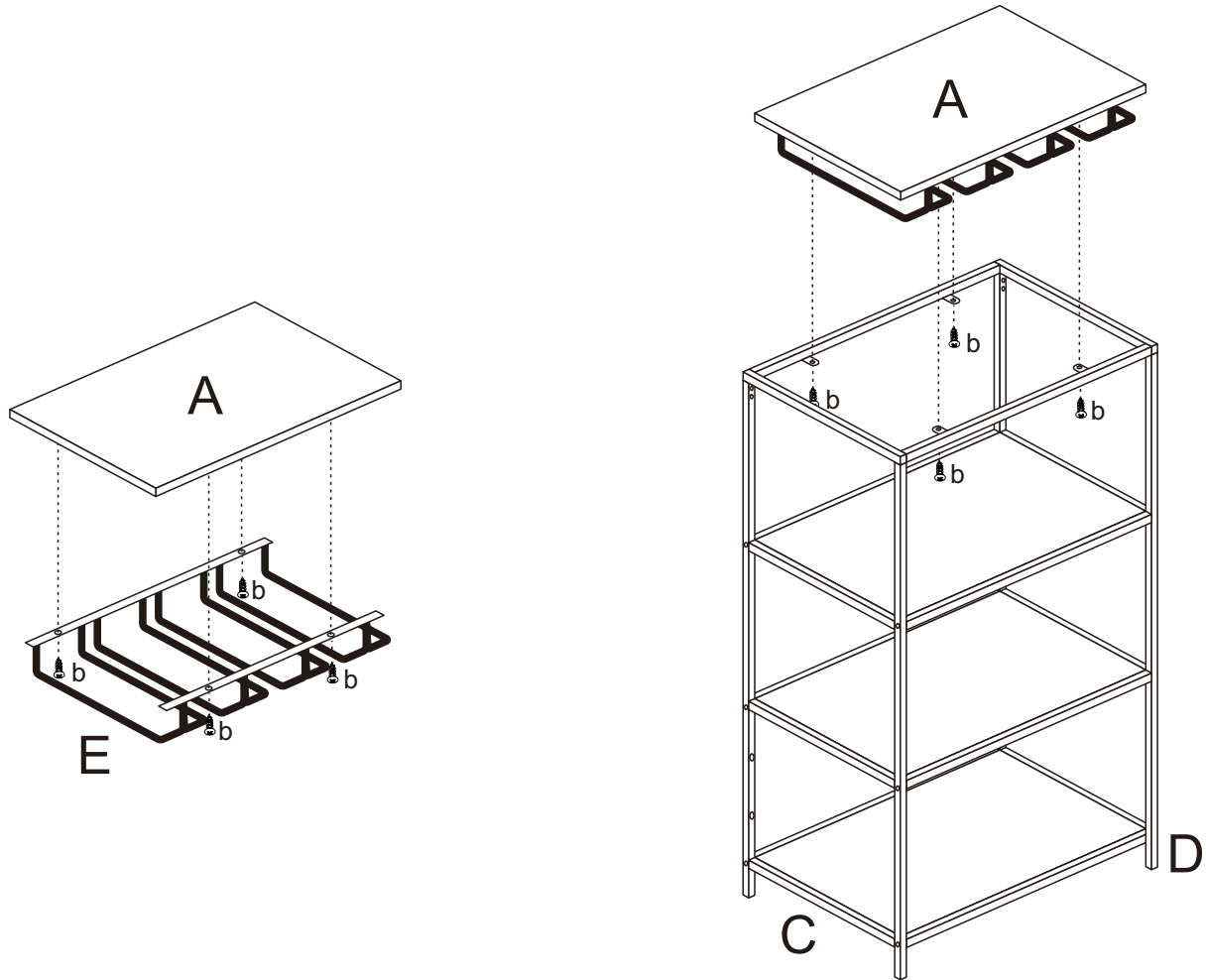
3



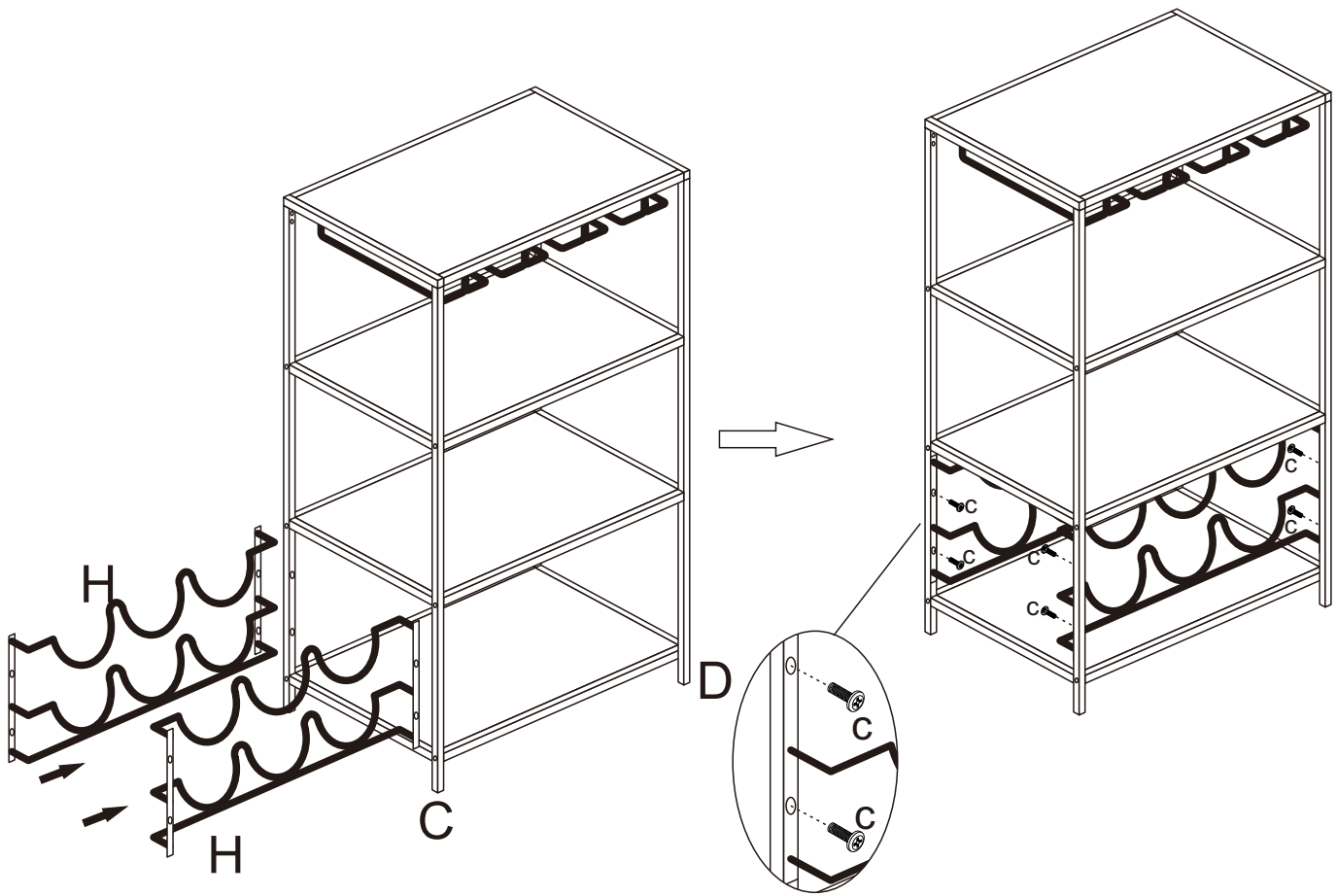
4



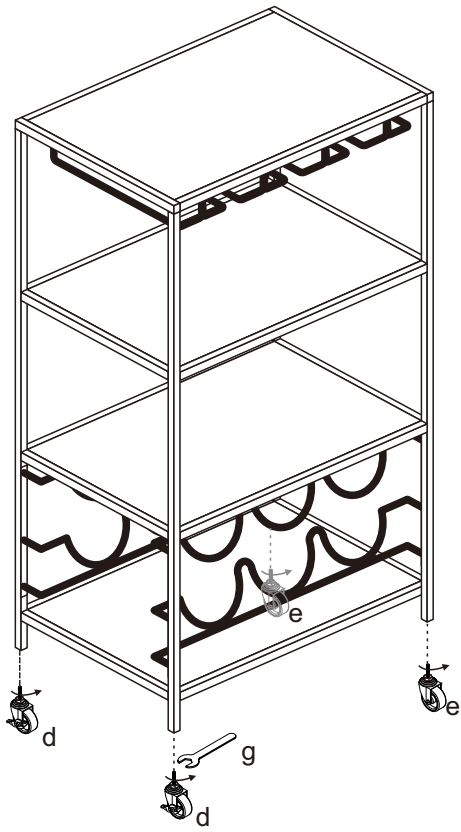
5



6



7



8

