

ax16



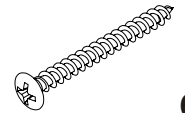
bx12



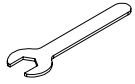
cx2



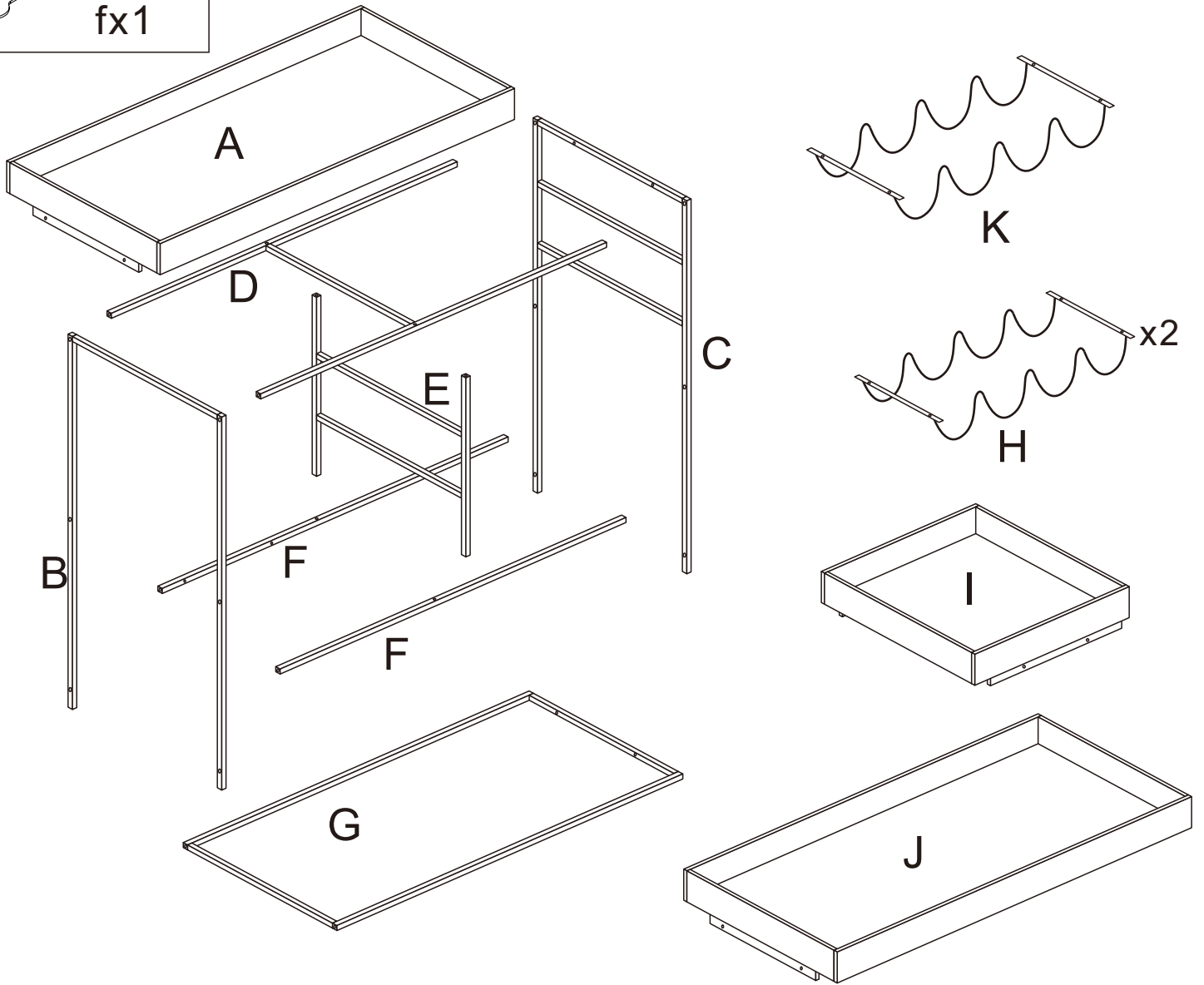
dx2



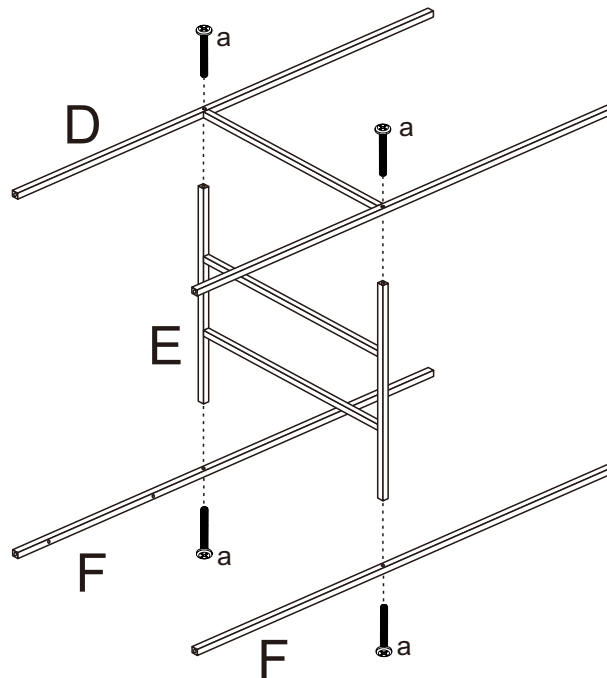
ex12



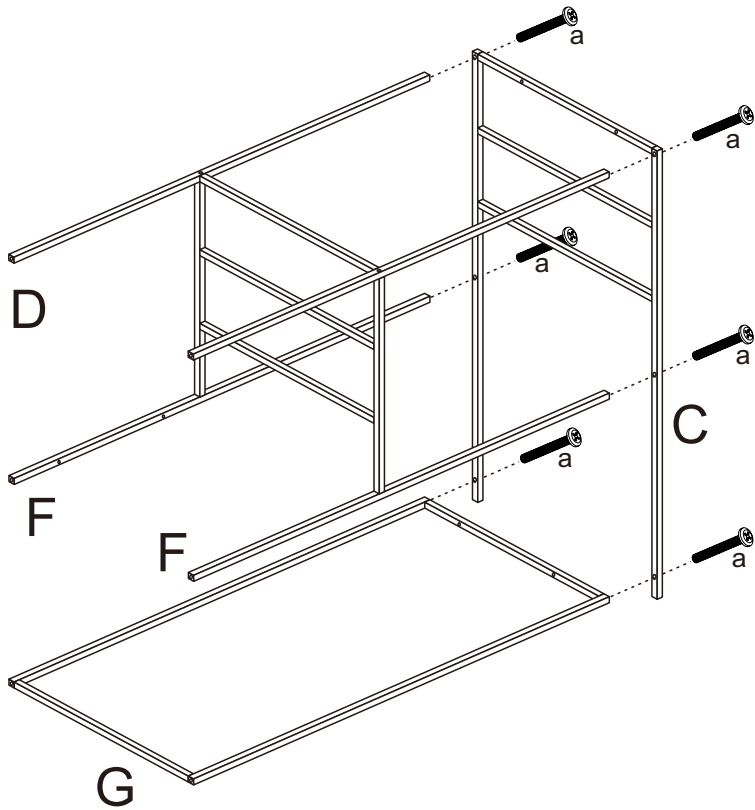
fx1



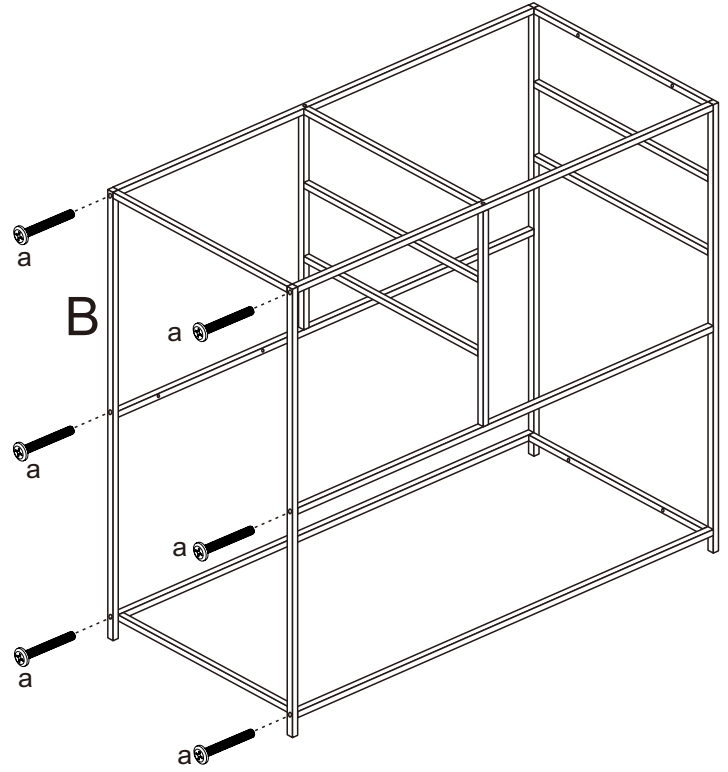
1



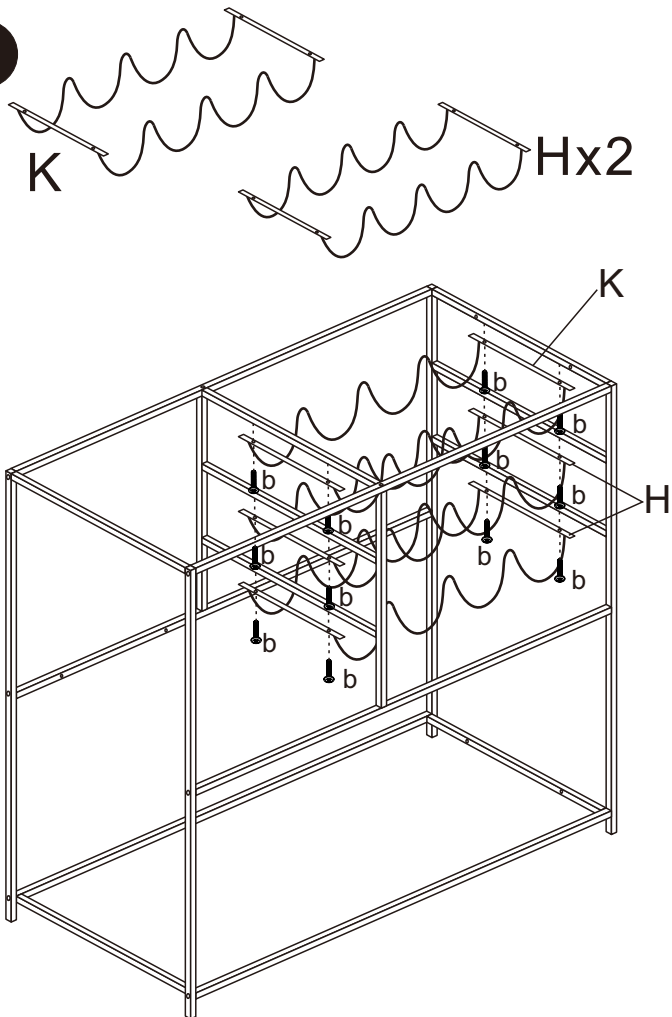
2



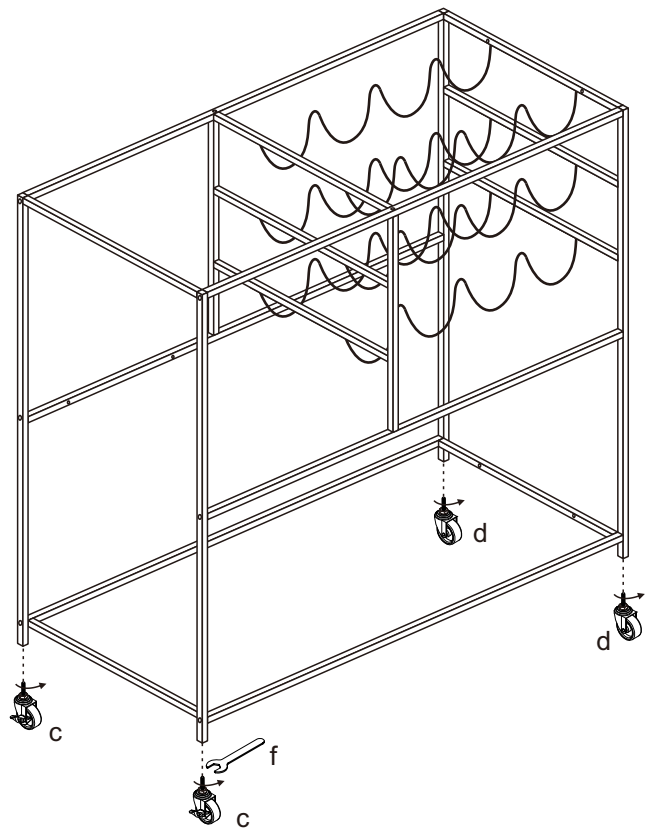
3



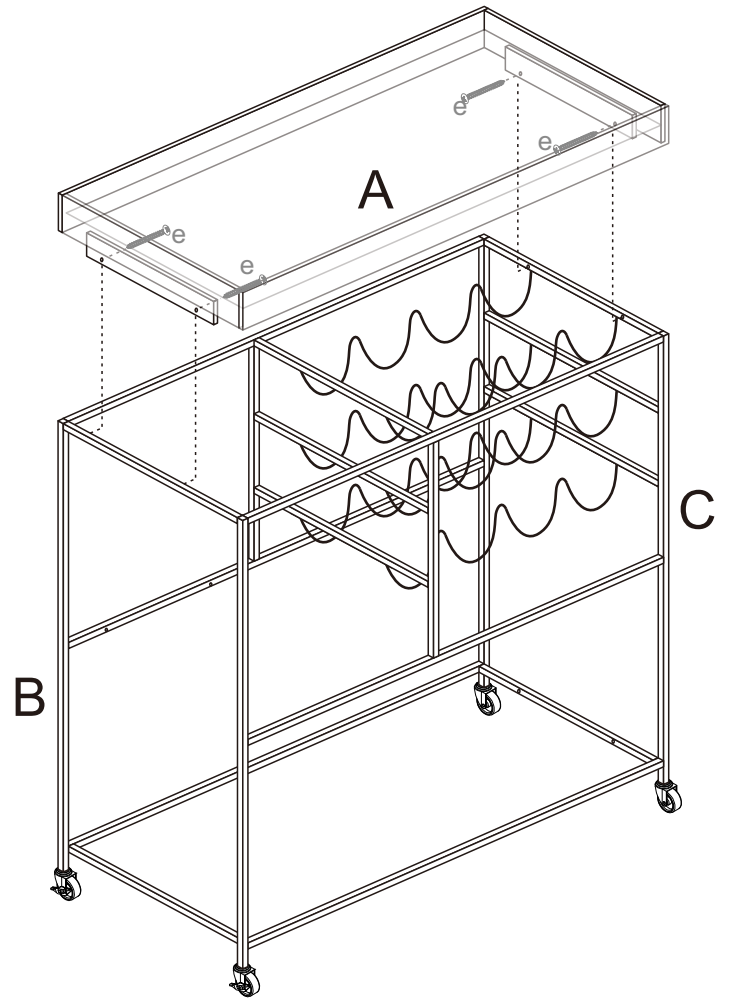
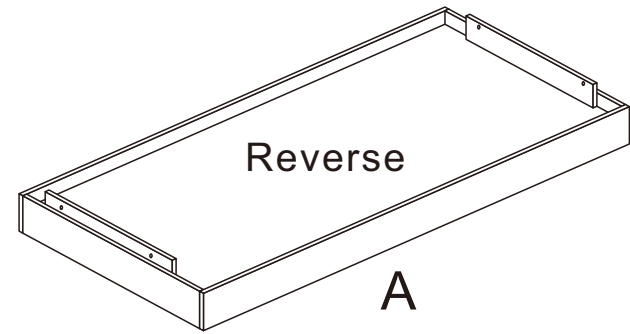
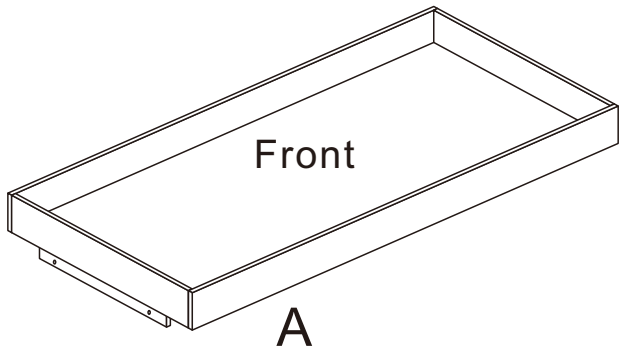
4



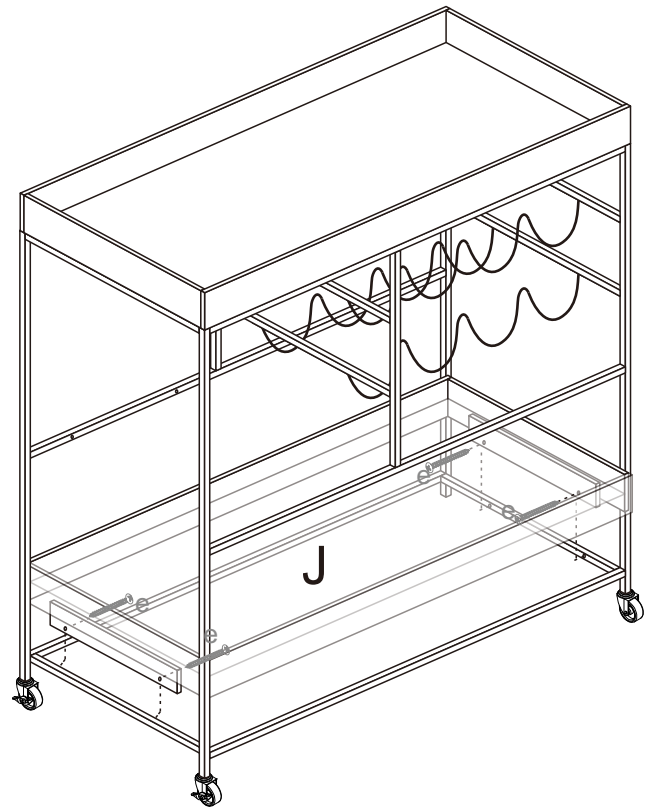
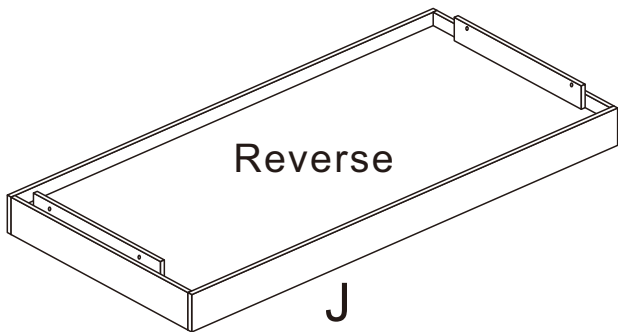
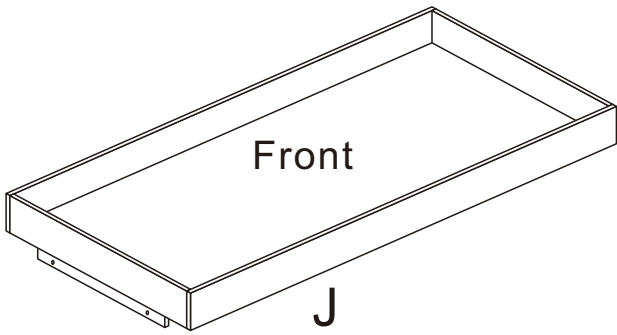
5



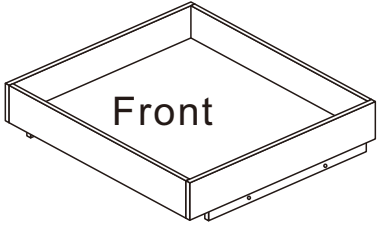
6



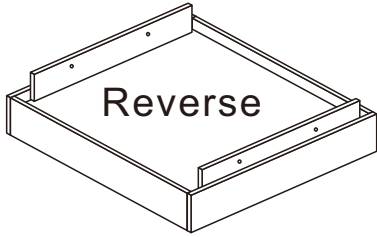
7



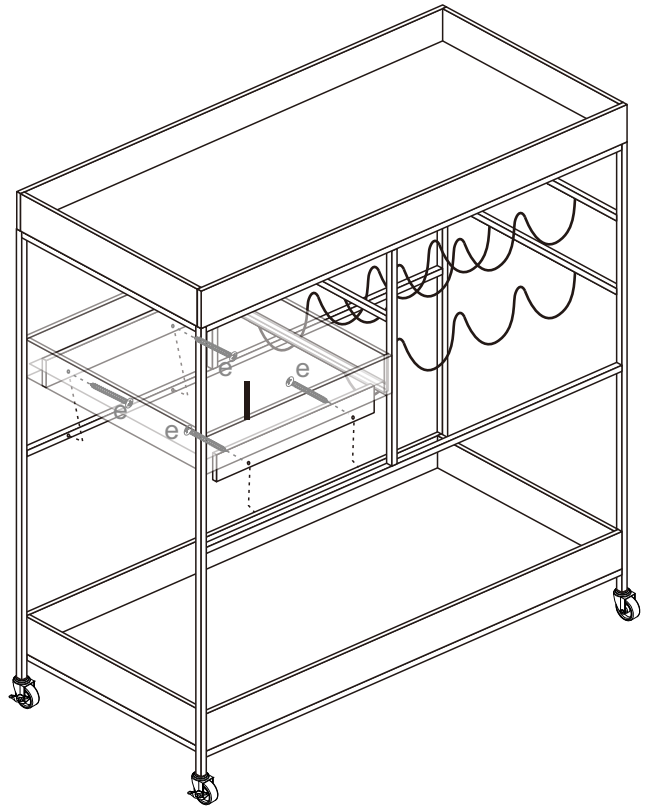
8



|



|



9

