

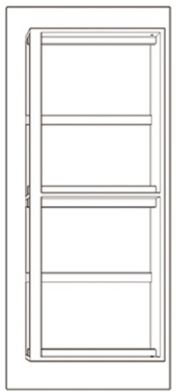
TOOLS:



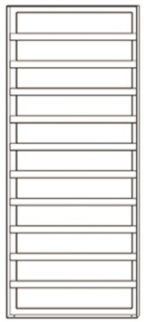
≈ 30 min



1



2



3



4



5



6



7

× 2



8

× 2



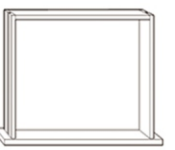
9

× 2



10

× 2



A

× 8



B

× 8



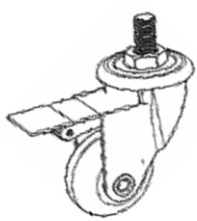
C

× 26



D

× 2



E

× 2



F

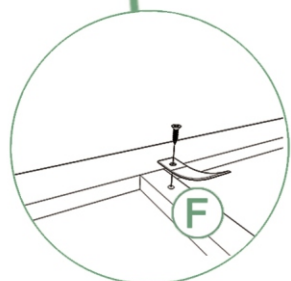
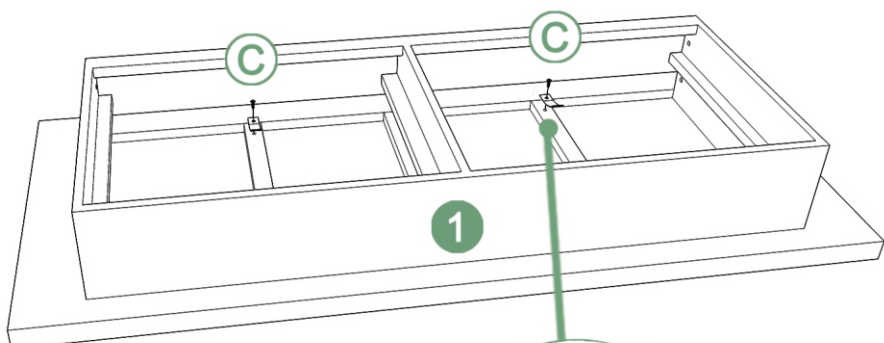
× 2



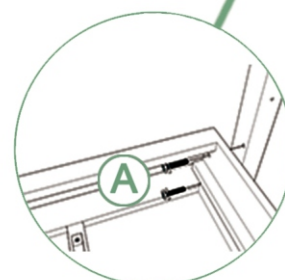
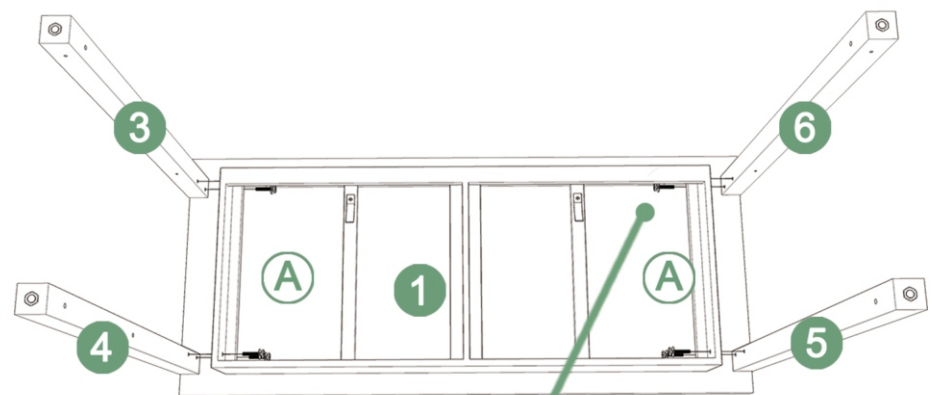
G



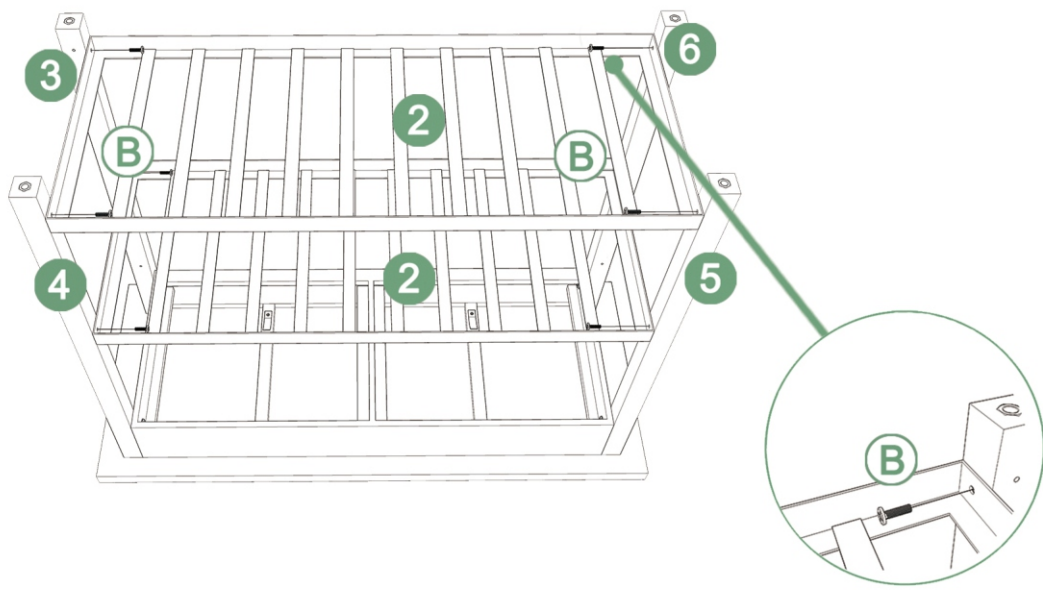
1



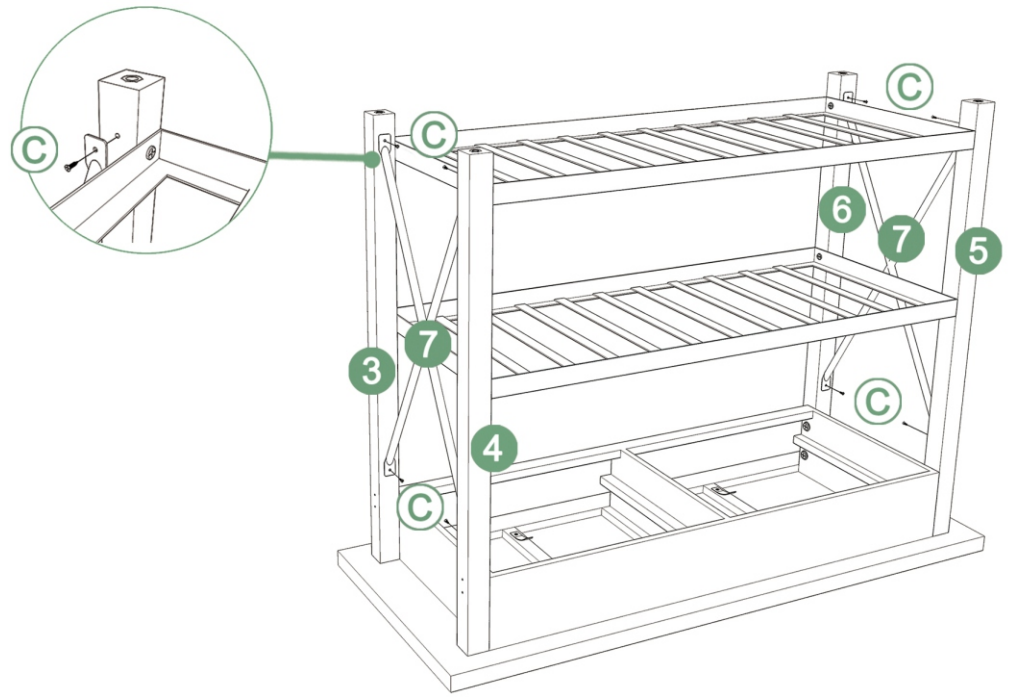
2



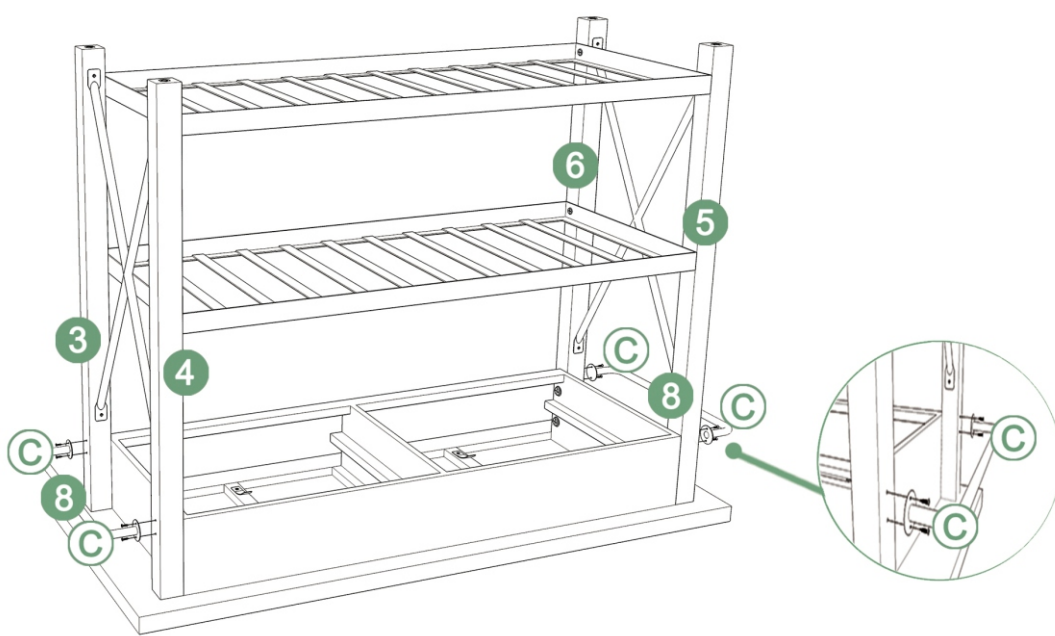
3



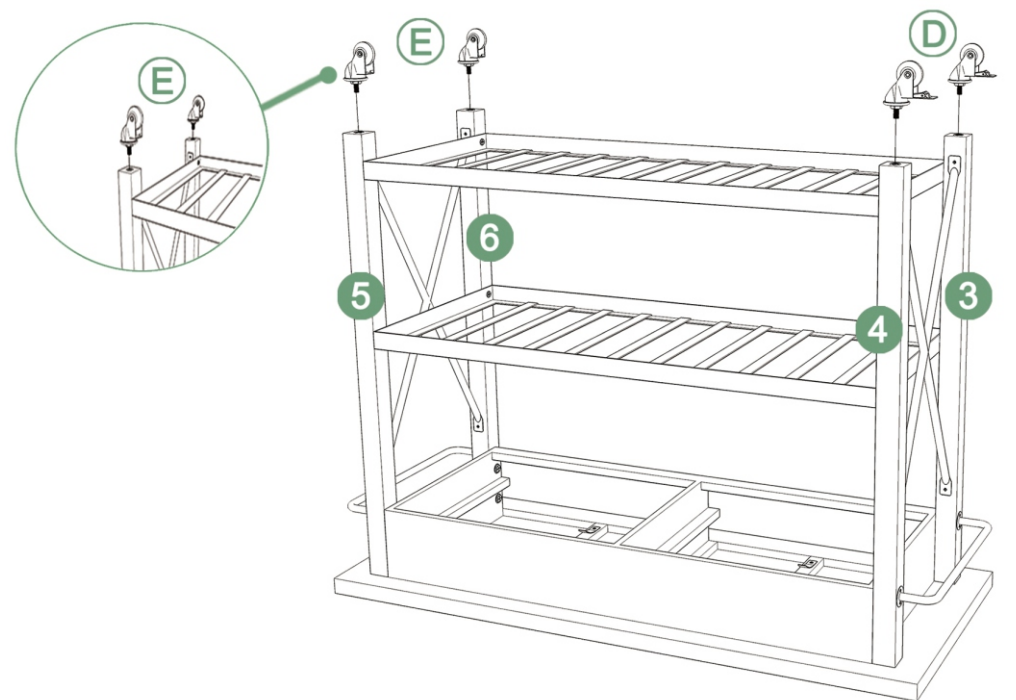
4



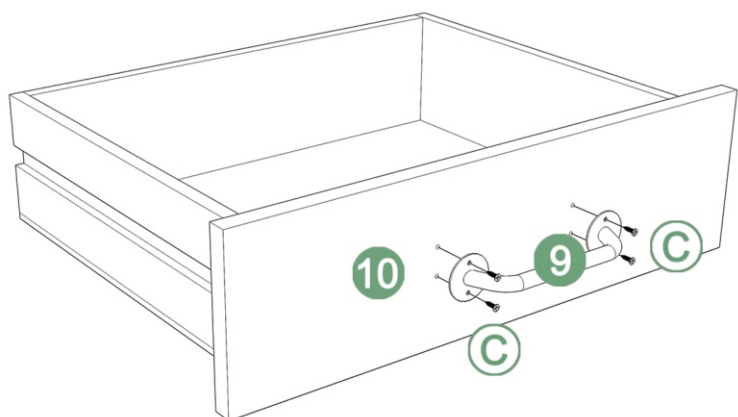
5



6



7



8

