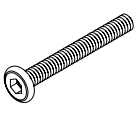
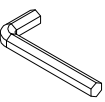
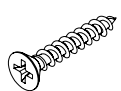







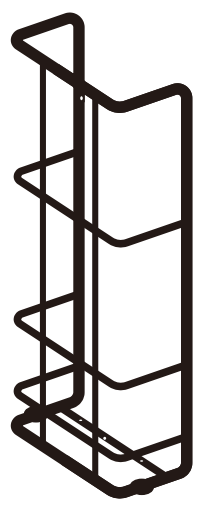
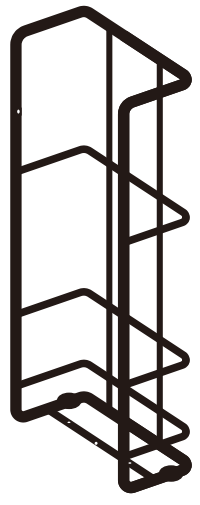
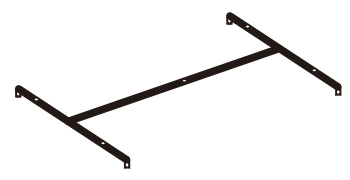
	ax8
	bx2
	cx1
	dx10
	
	
	
	
	
	
	



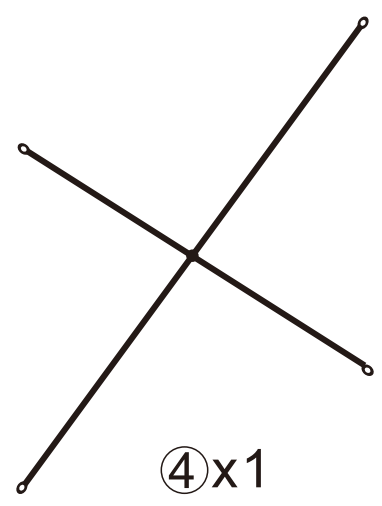
①x1



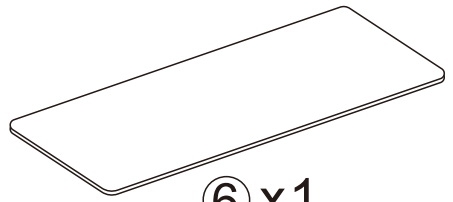
②x1



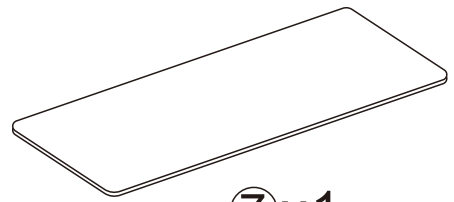
③x1



④x1



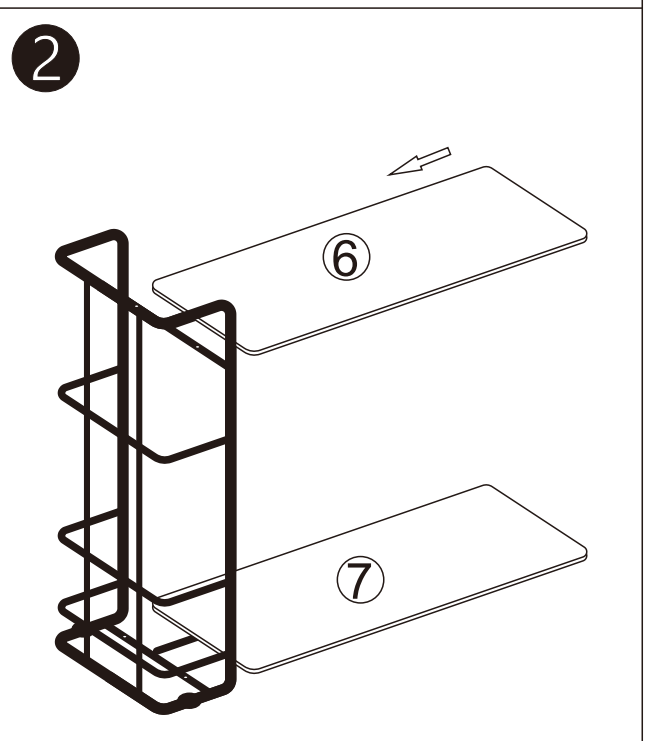
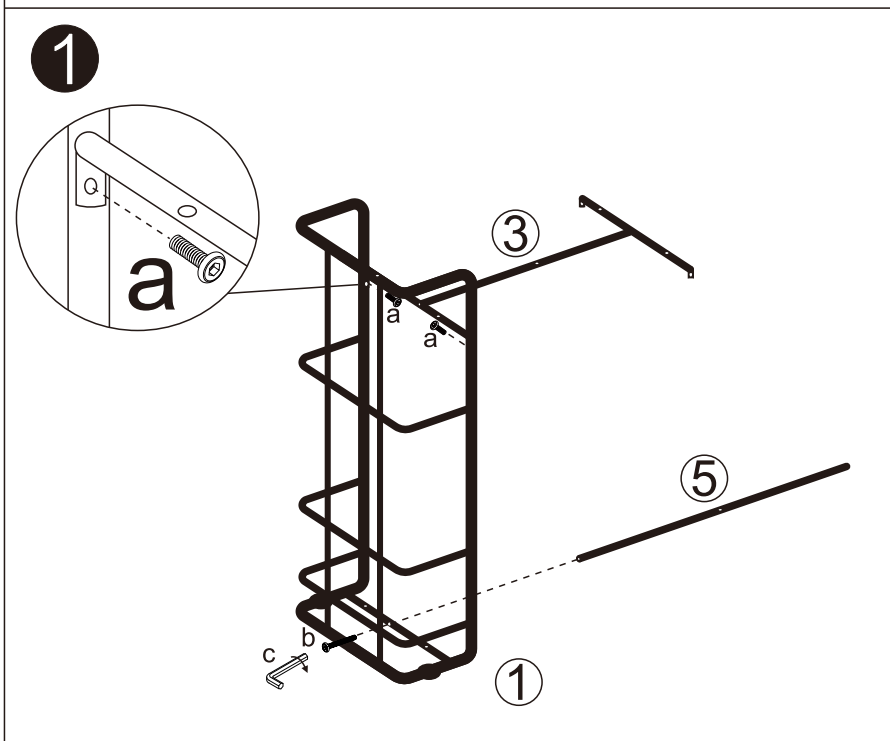
⑥x1



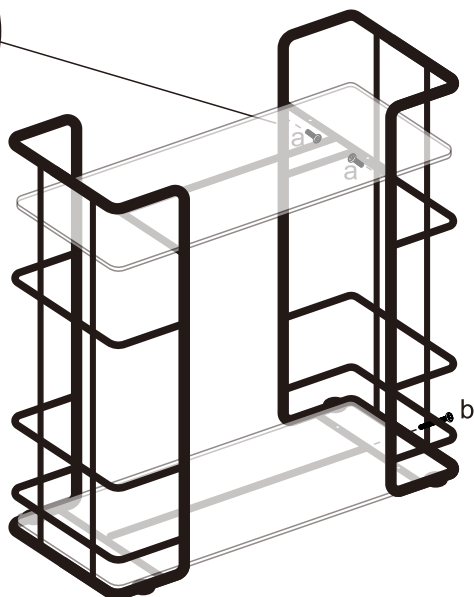
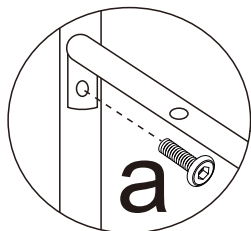
⑦x1



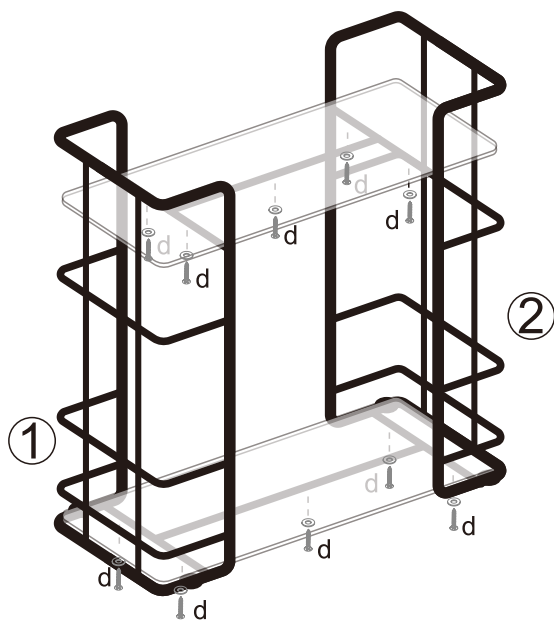
⑤x1



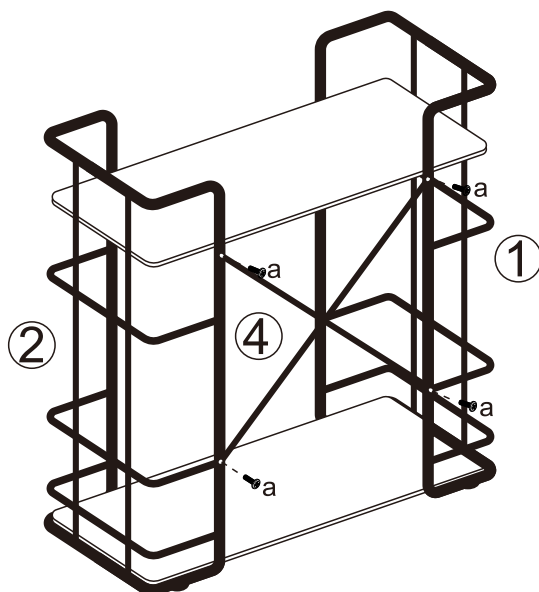
3



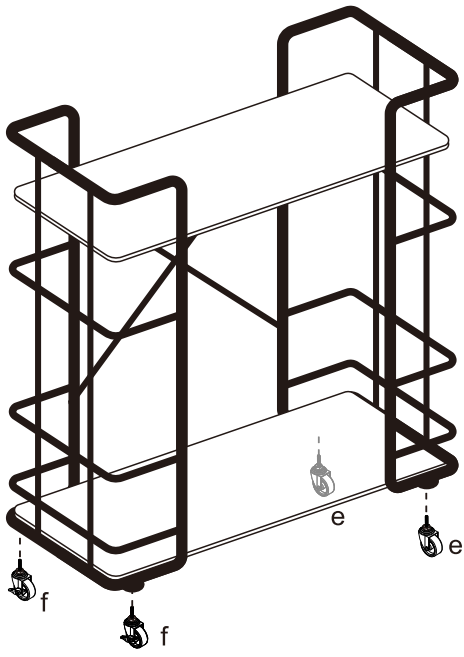
4



5



6



7

