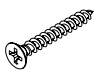



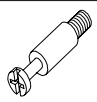
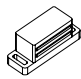

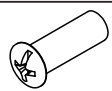
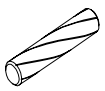



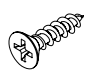



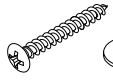
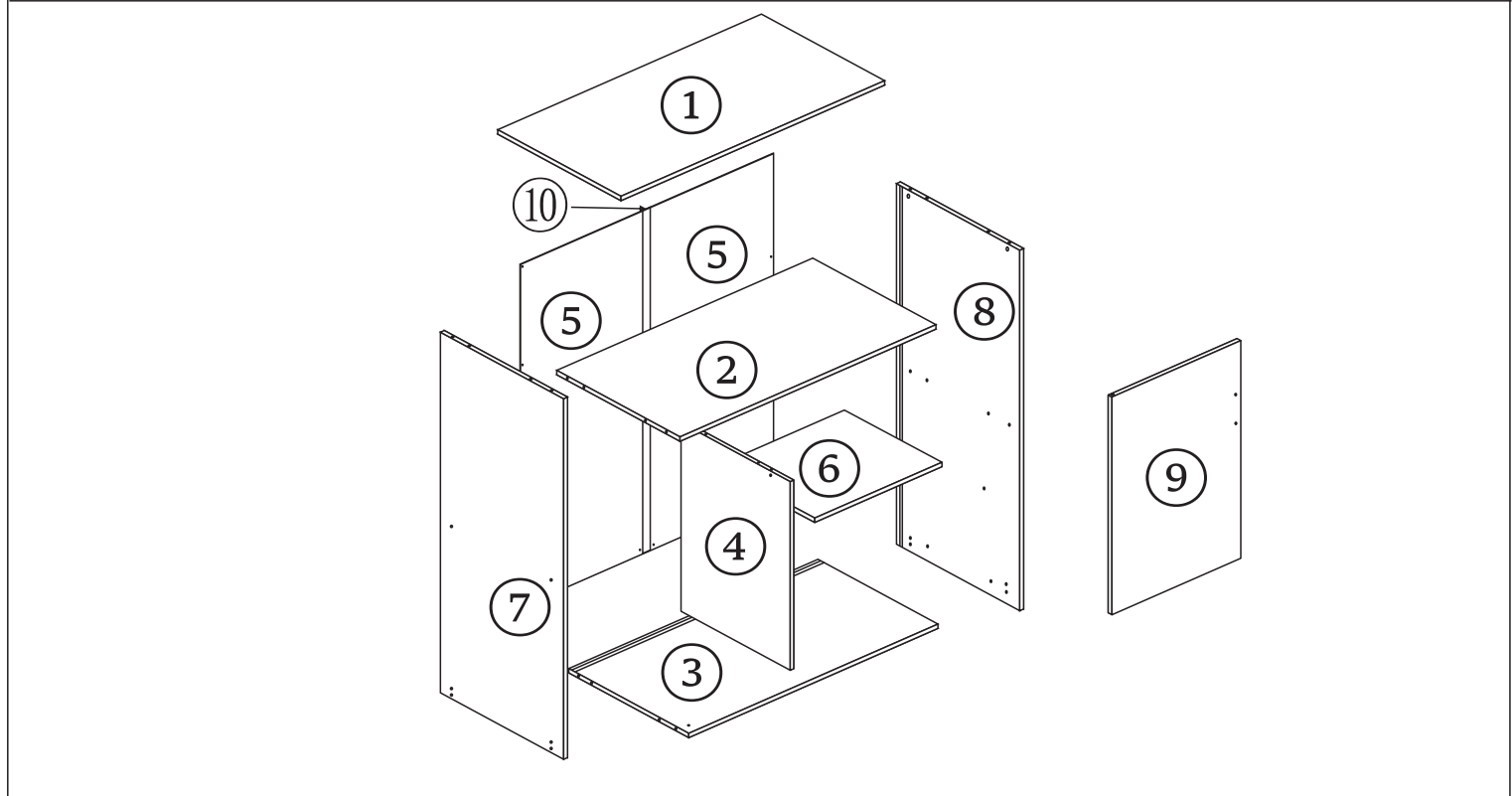
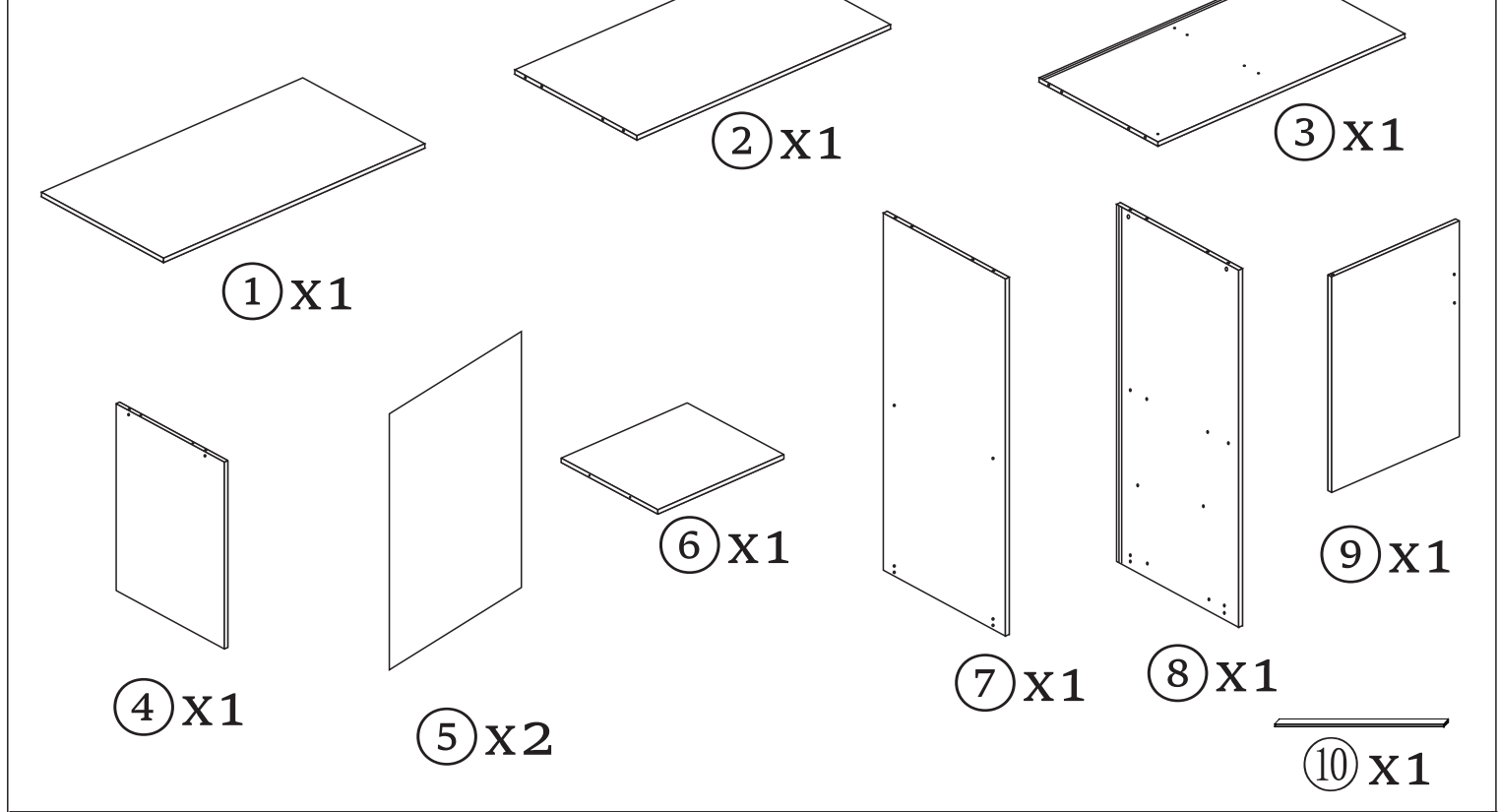
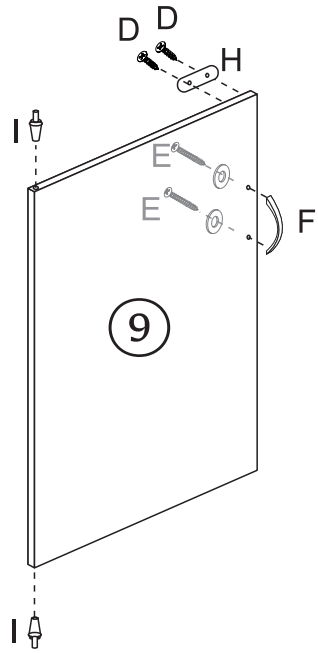


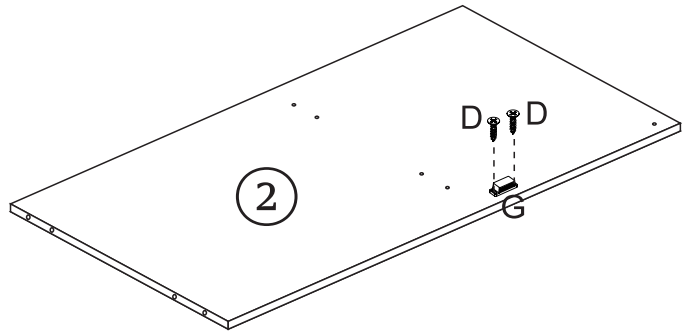
| | | | | | | | |
|--|------|---|-----|---|-----|---|-----|
|  | Ax10 |  | Fx1 |  | Jx2 |  | Nx8 |
|  | Bx6 |  | Gx1 |  | Kx4 |  | Ox4 |
|  | Cx20 |  | Hx1 |  | Lx2 |  | Px8 |
|  | Dx12 |  | Ix2 |  | Mx4 |  | Qx2 |
|  | Ex2 | | | | | | |



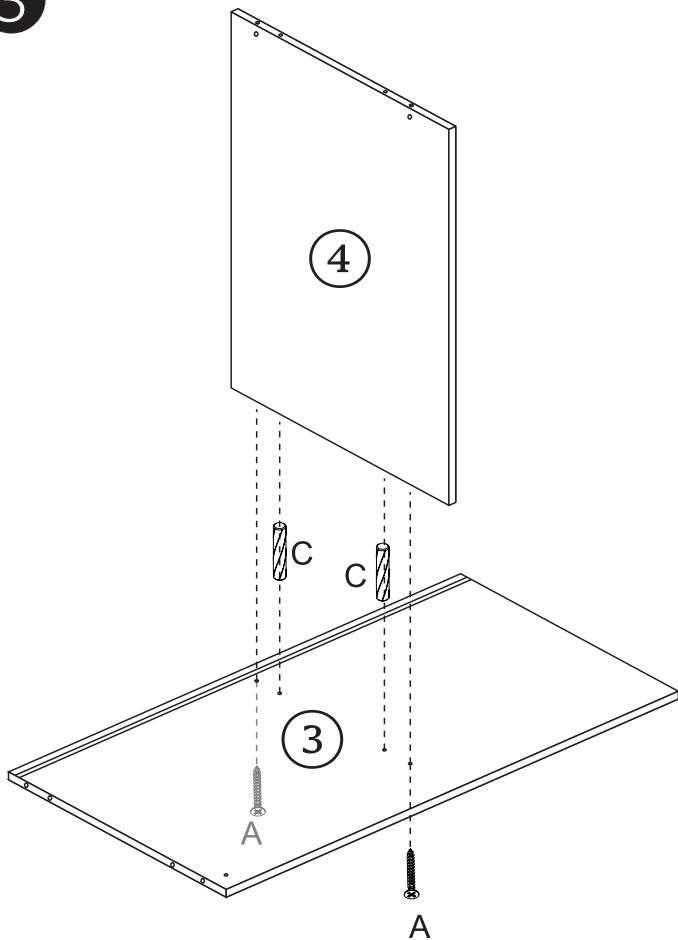
1



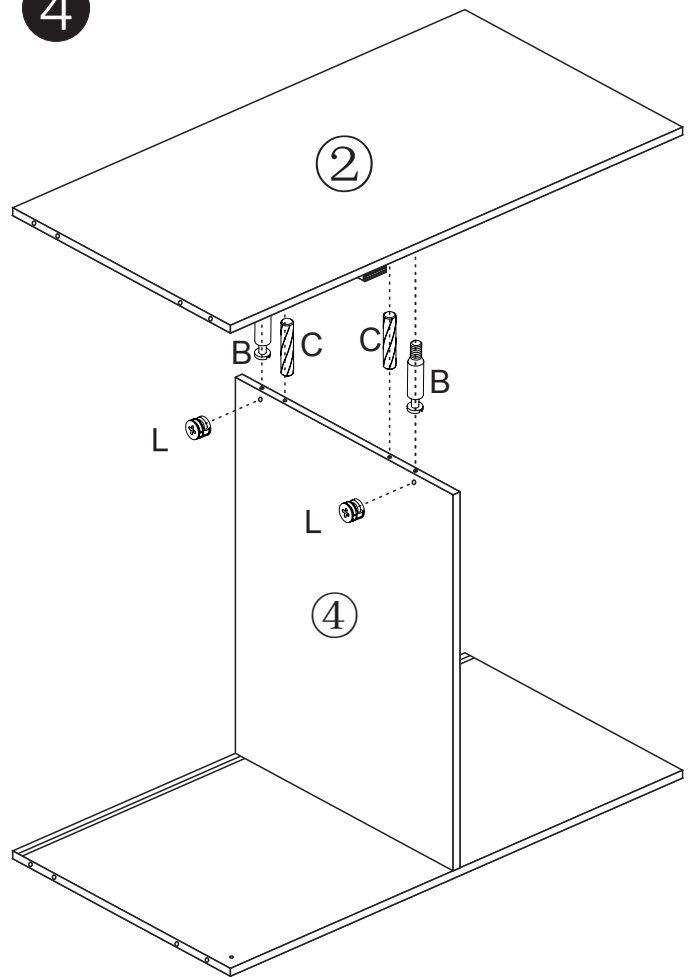
2



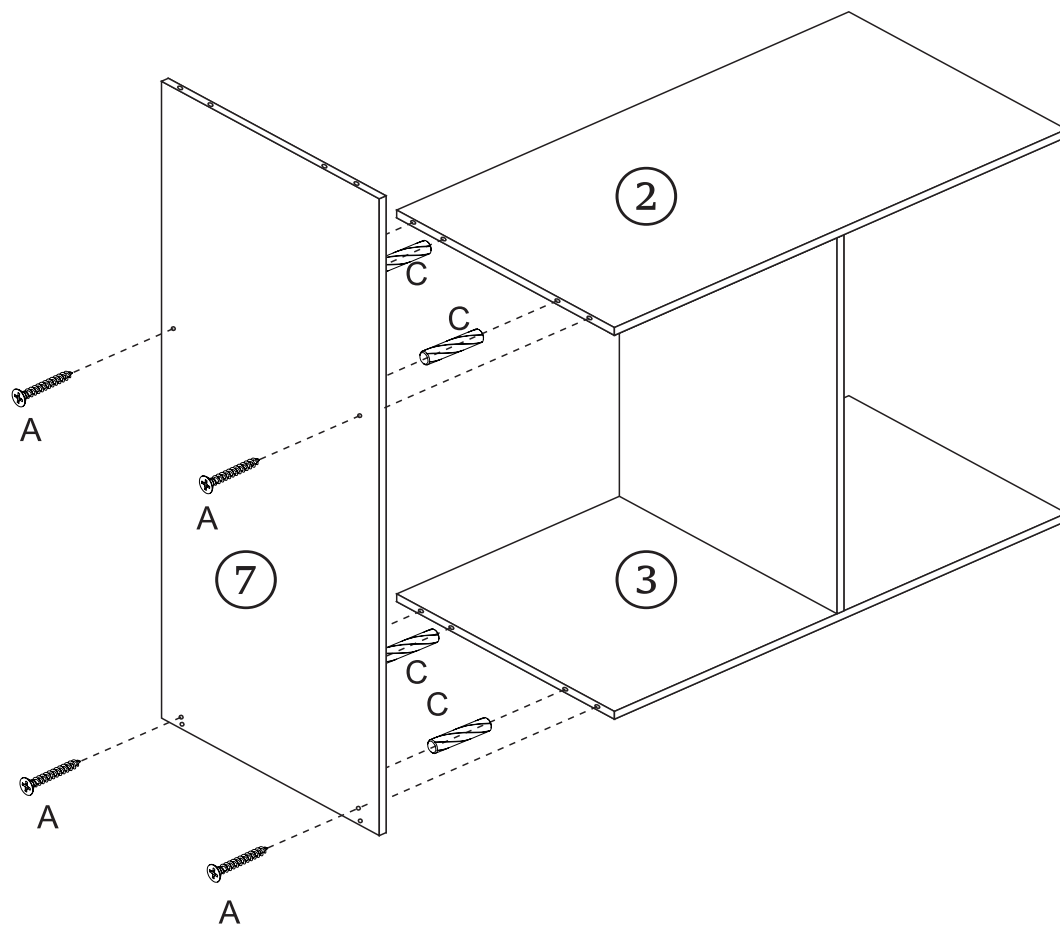
3



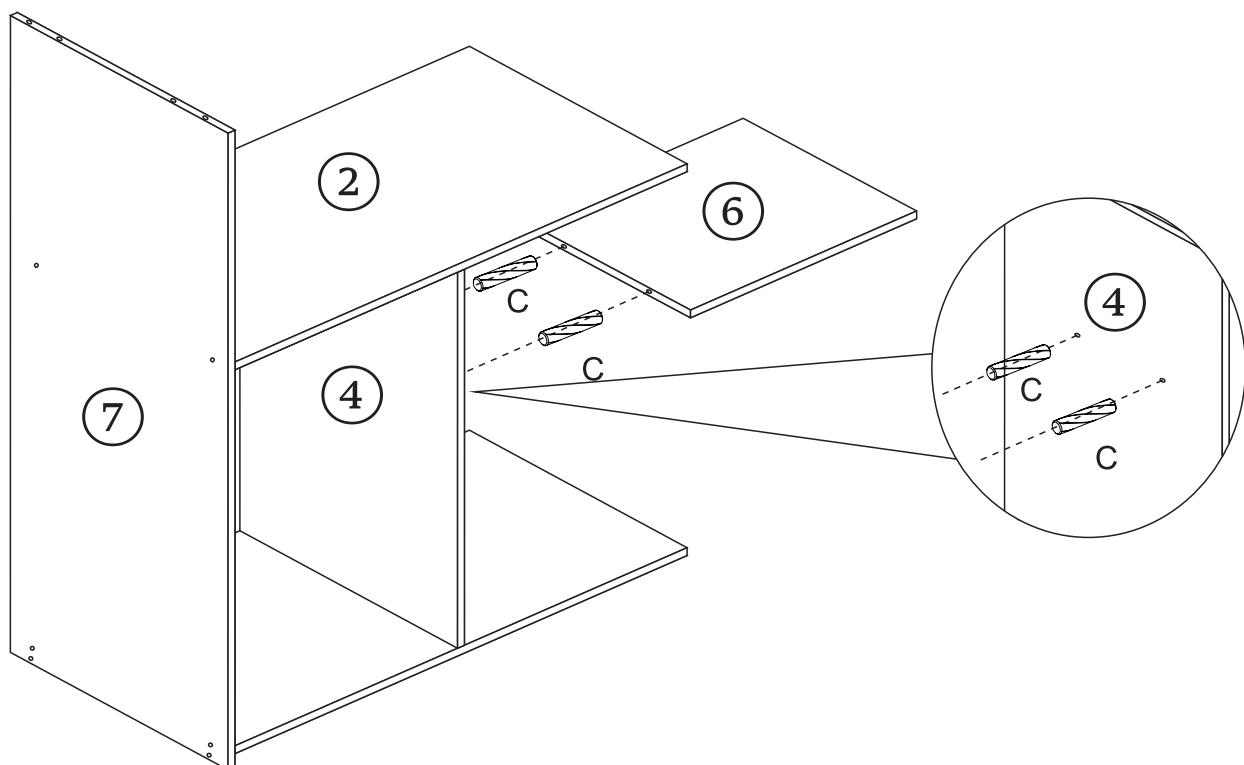
4



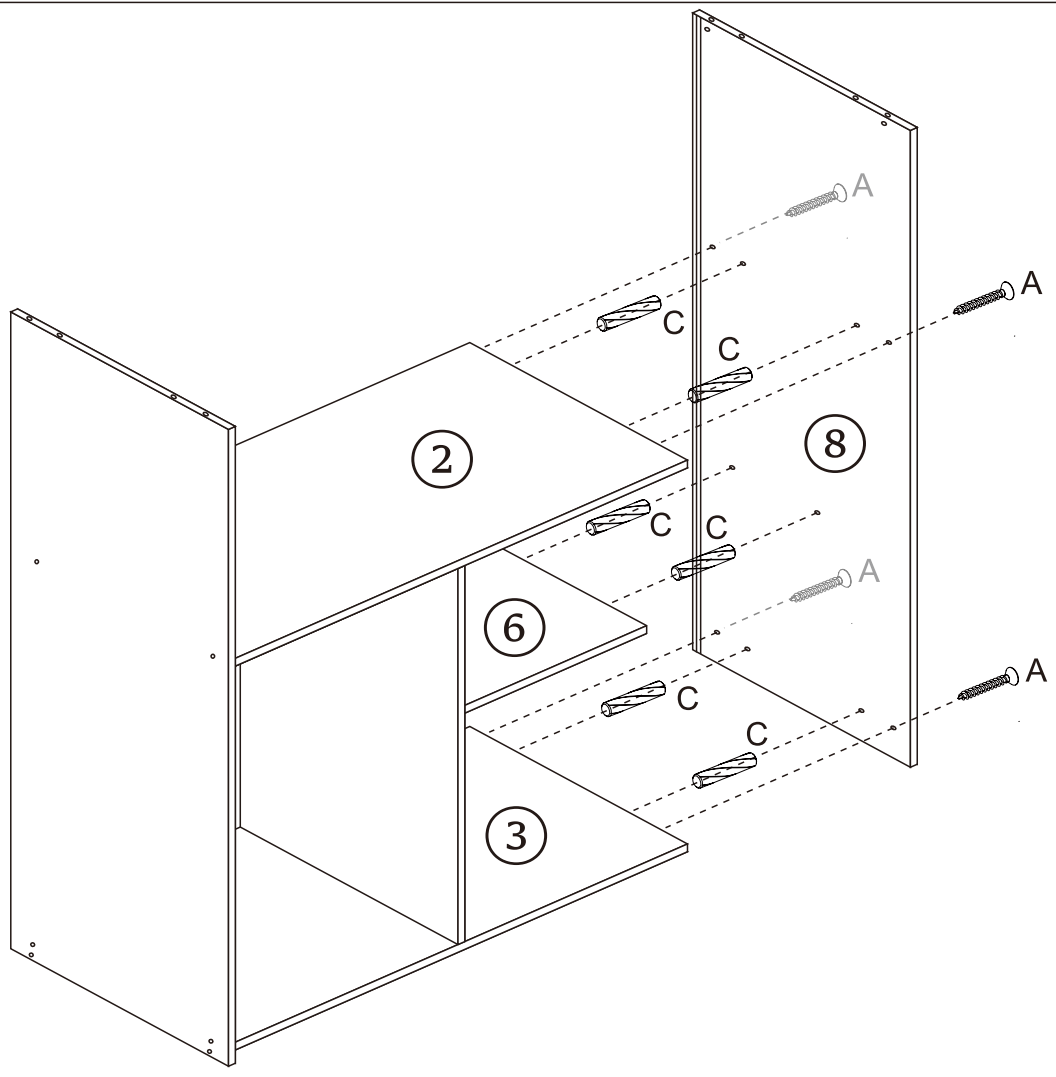
5



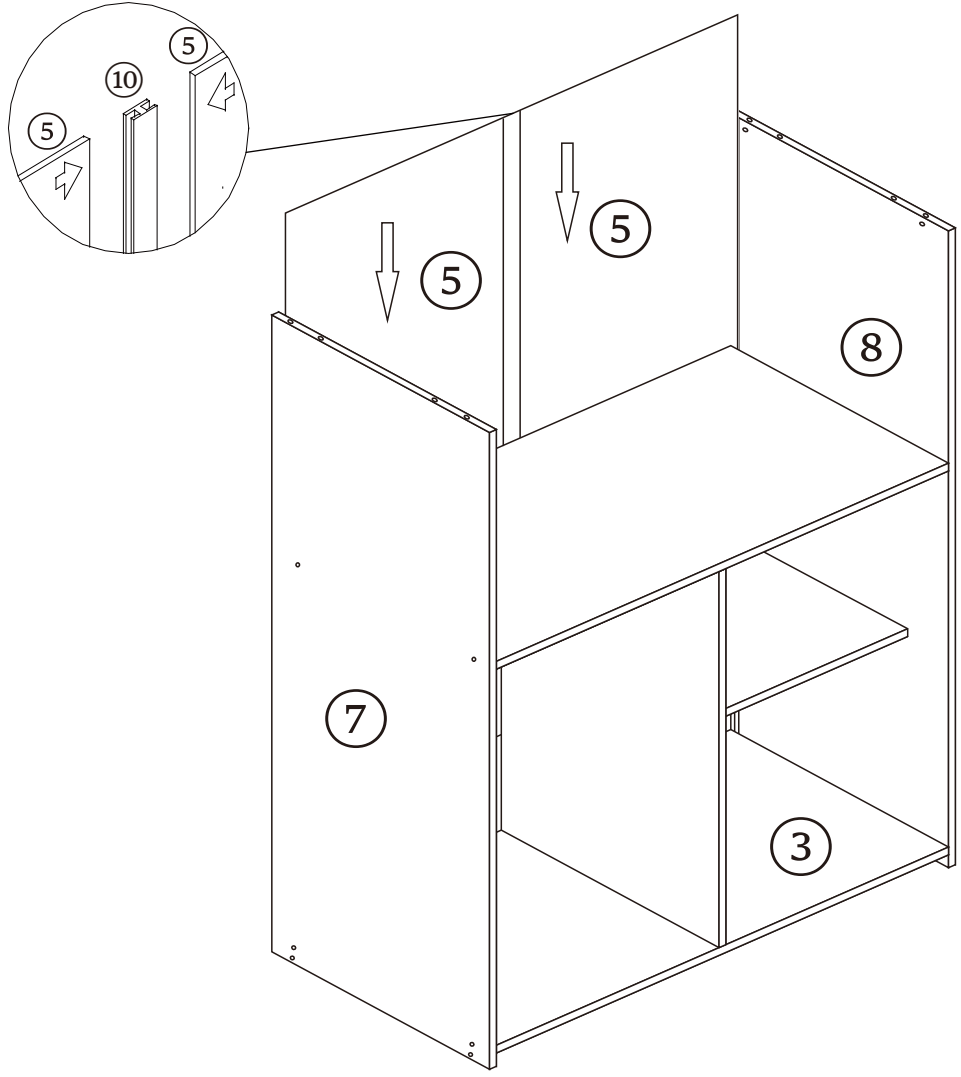
6



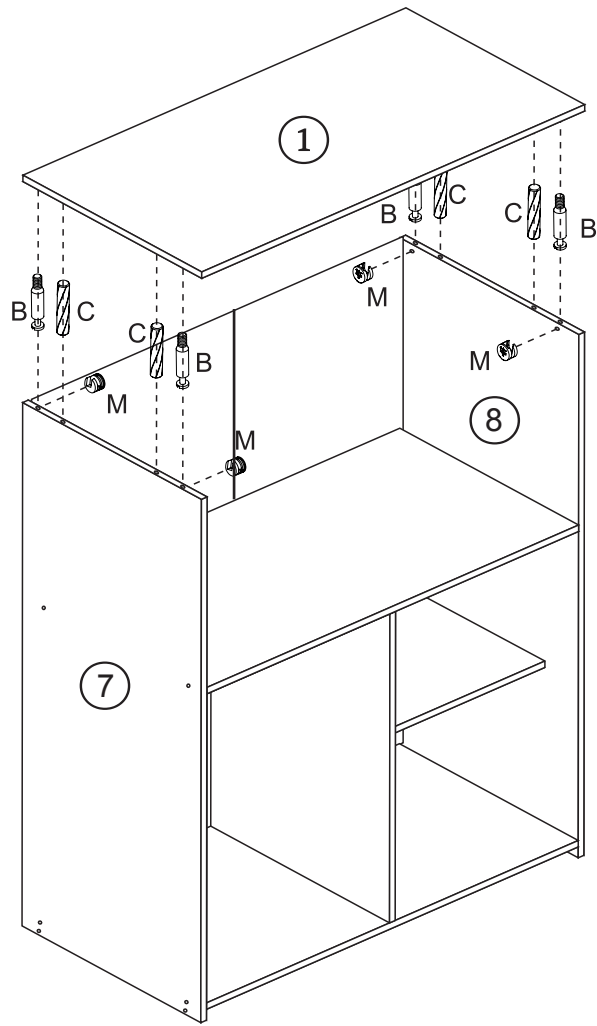
7



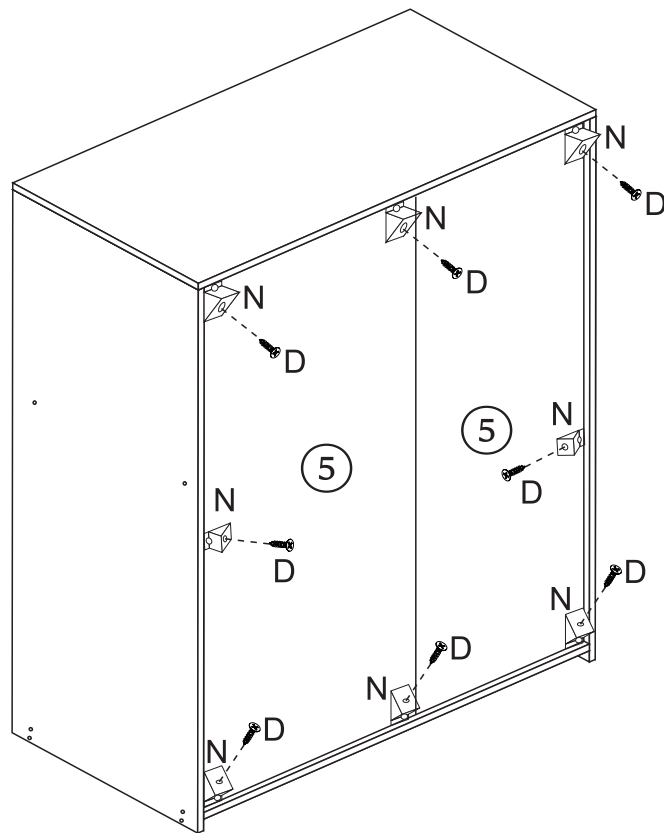
8



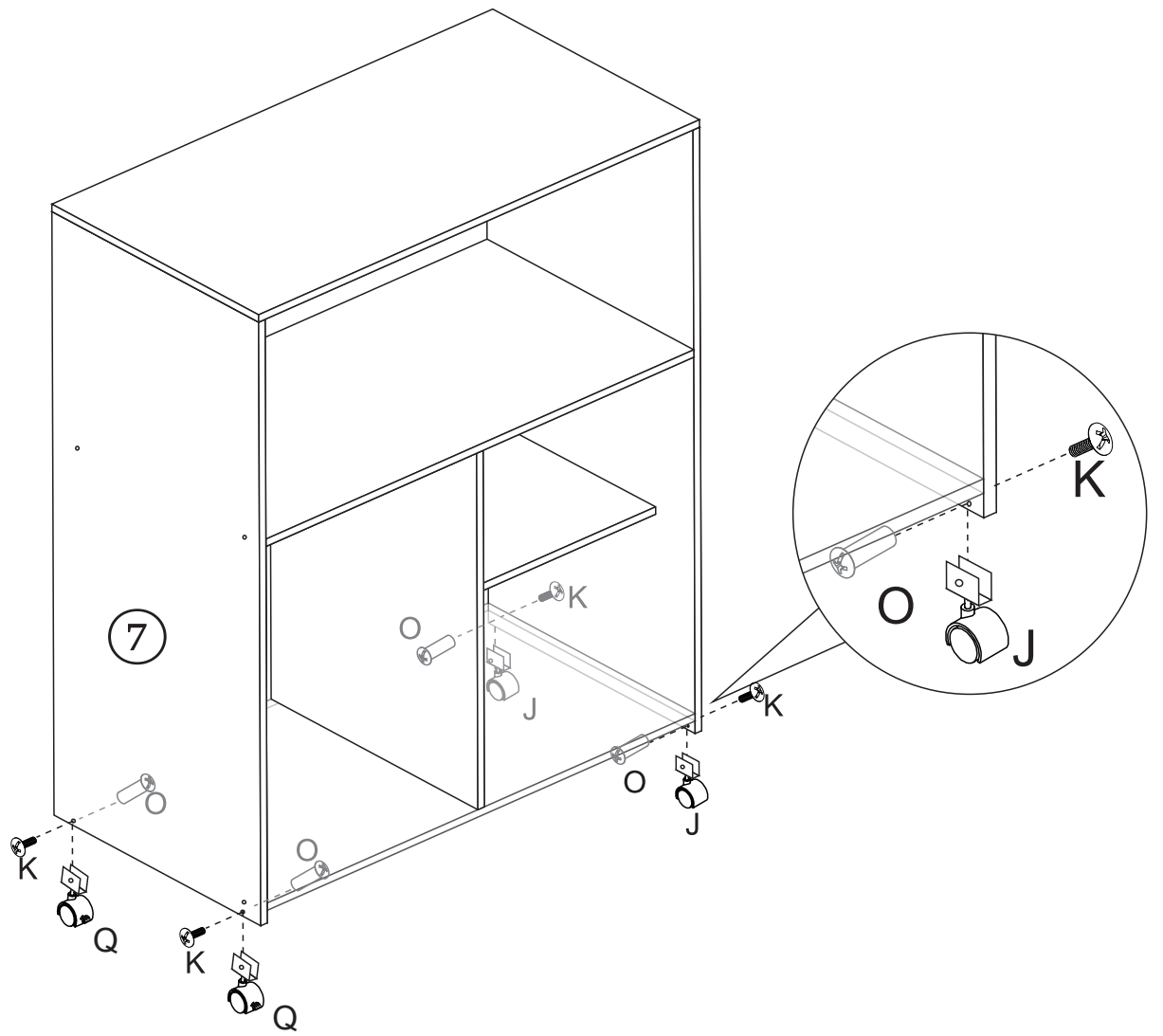
9



10



11



12

