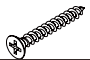



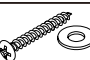





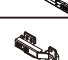


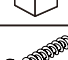





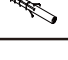


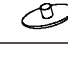
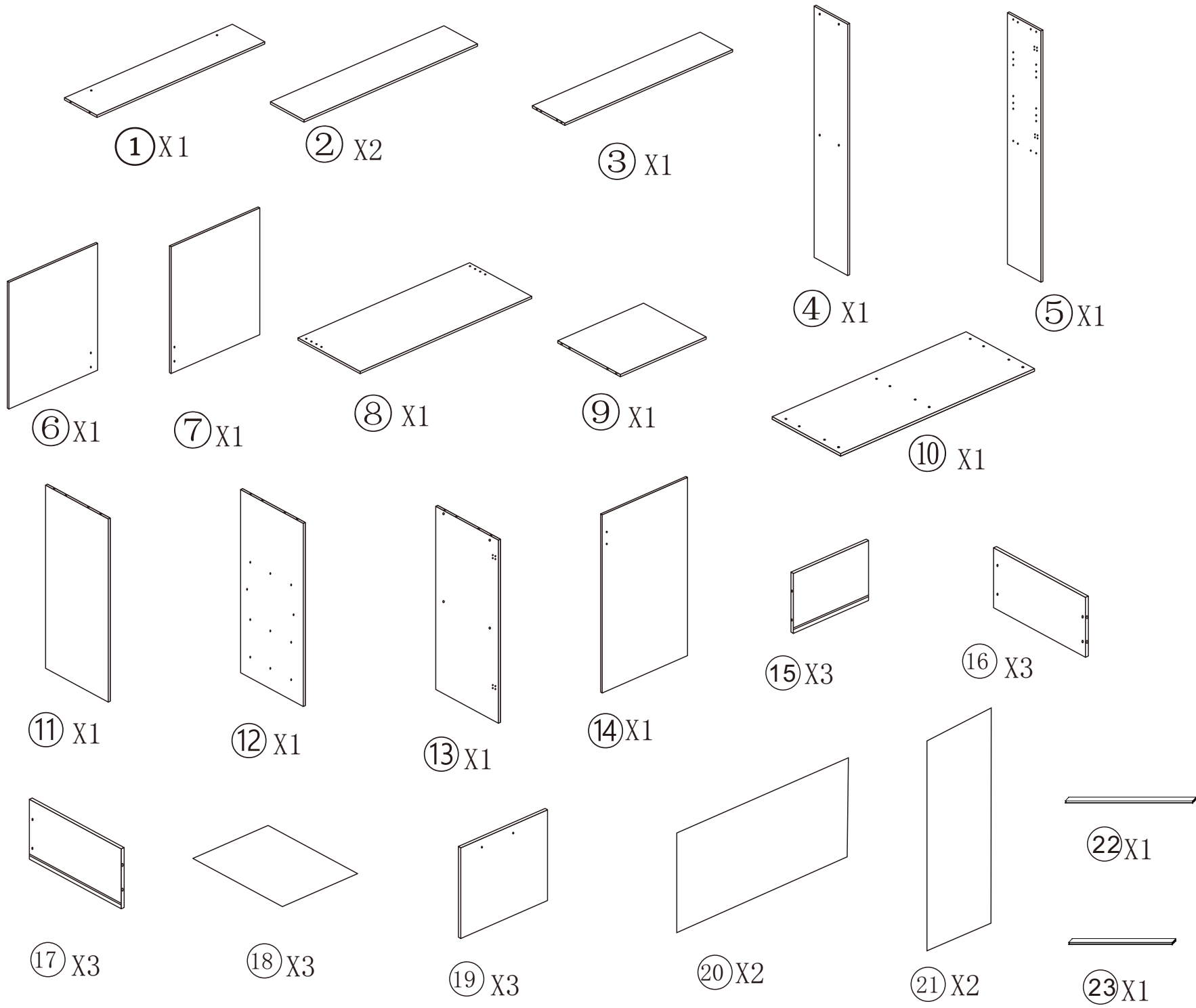
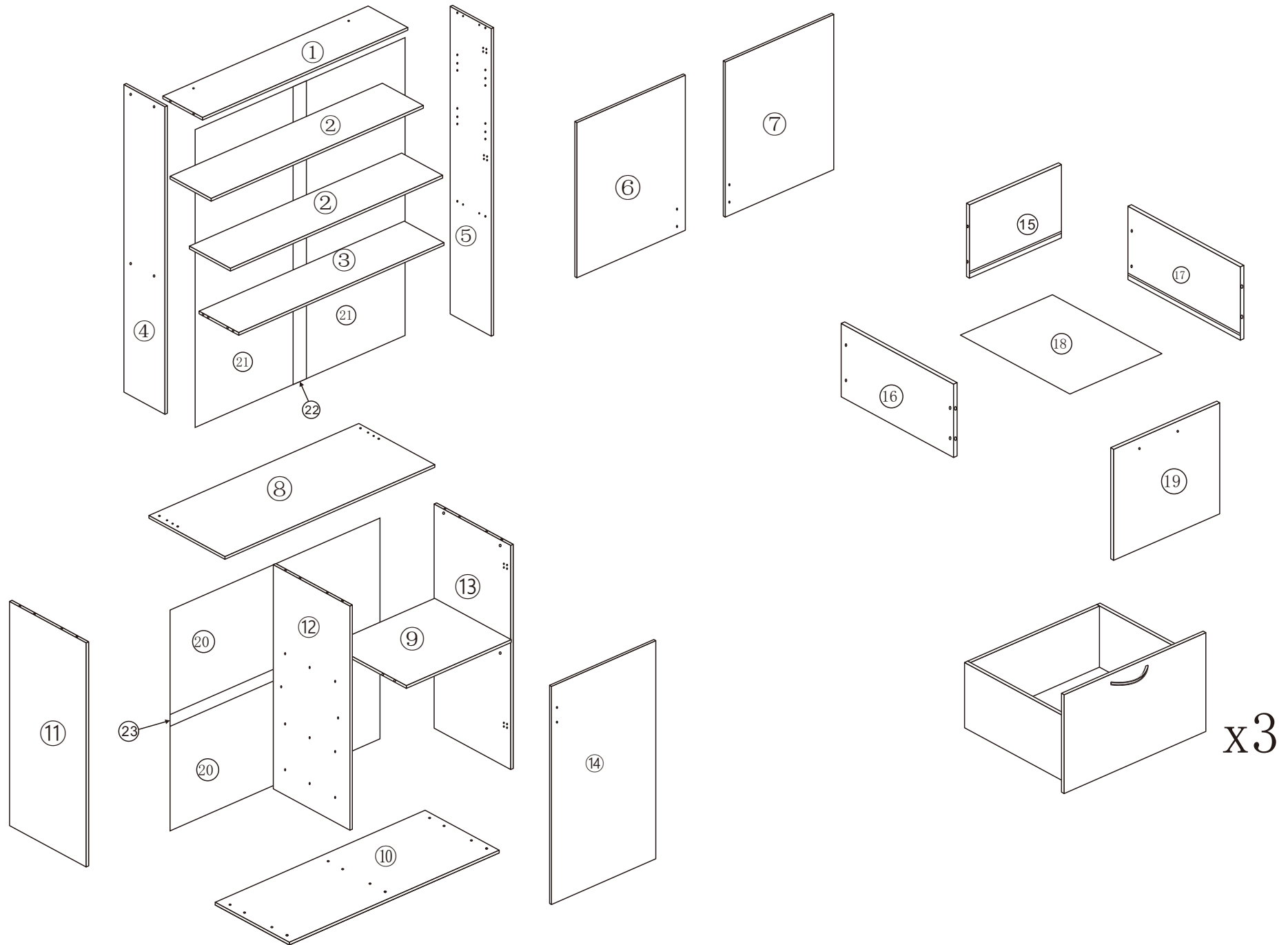
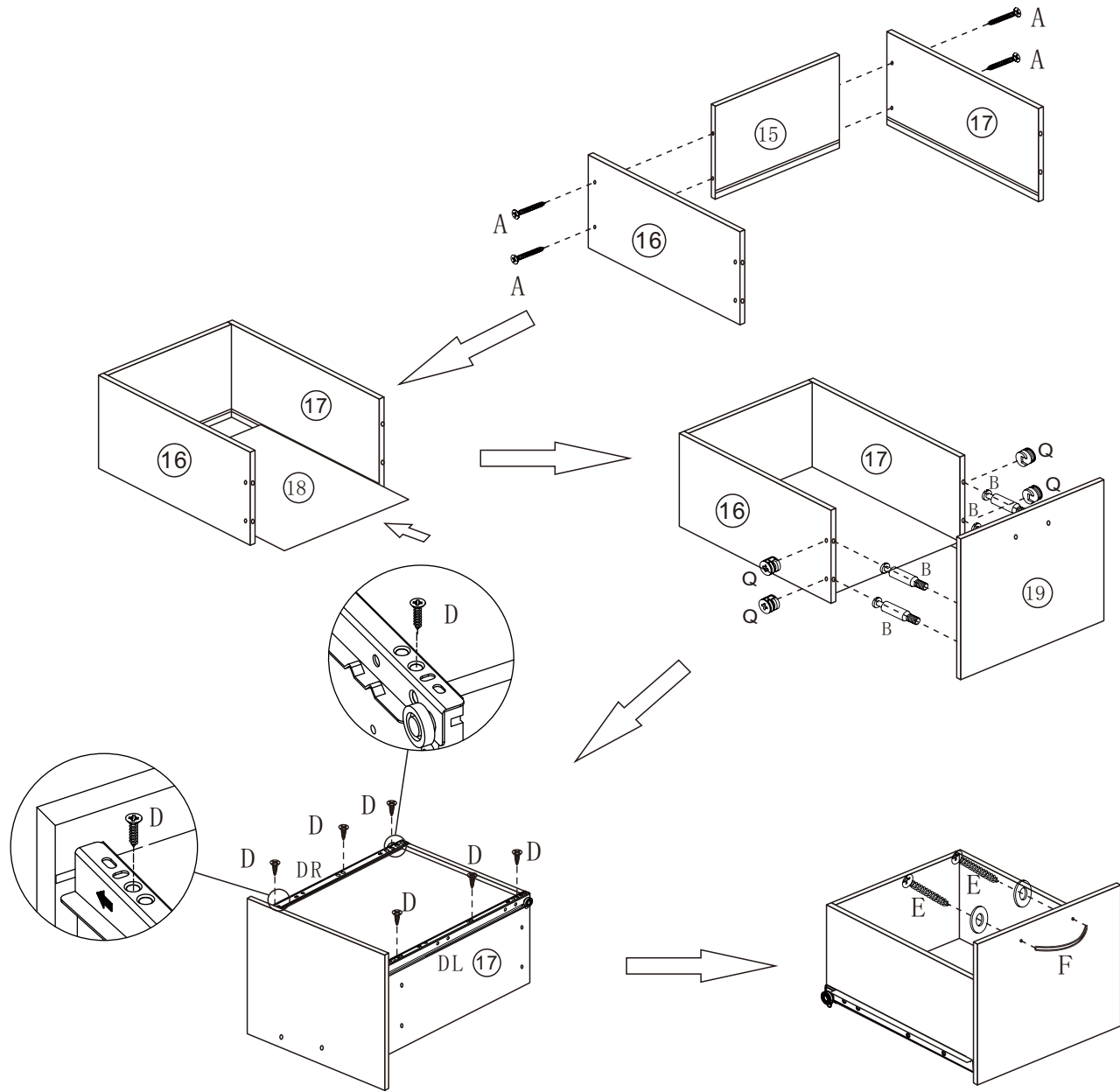


| | |
|------------------------------------------------------------------------------------|------|
|  | Ax36 |
|  | Bx18 |
|  | Cx28 |
|  | Dx36 |
|  | Ex12 |
|  | Fx6 |
|  | CLX3 |
|  | DLX3 |
|  | CRX3 |
|  | DRX3 |
|  | Kx6 |
|  | Lx52 |
|  | Mx5 |
|  | Nx5 |
|  | Ox8 |
|  | Px6 |
|  | Qx12 |
|  | Rx2 |
|  | Sx2 |
|  | Tx2 |
|  | Ux36 |
|  | Vx10 |
|  | Wx5 |



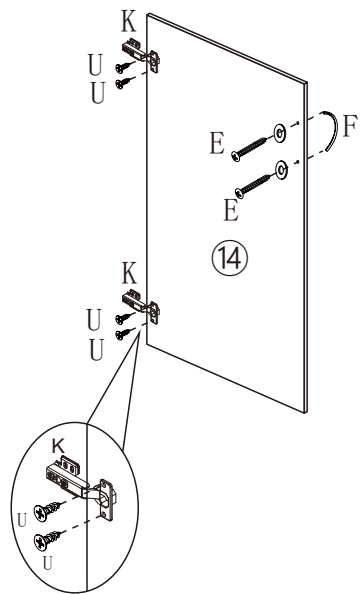


1

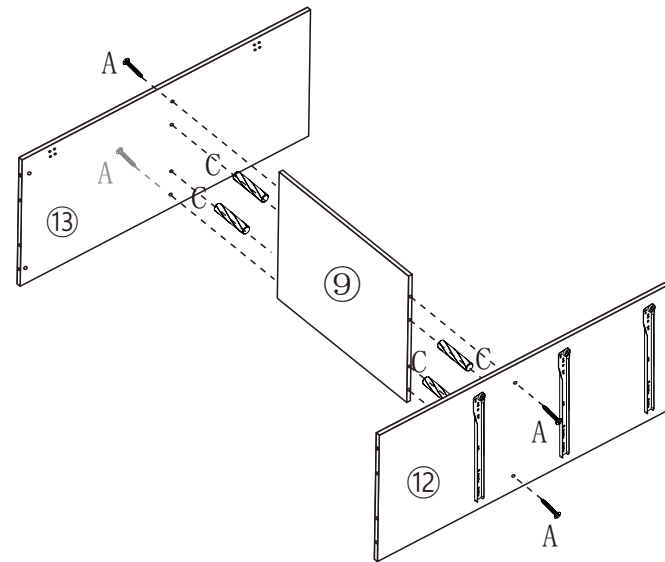


x3

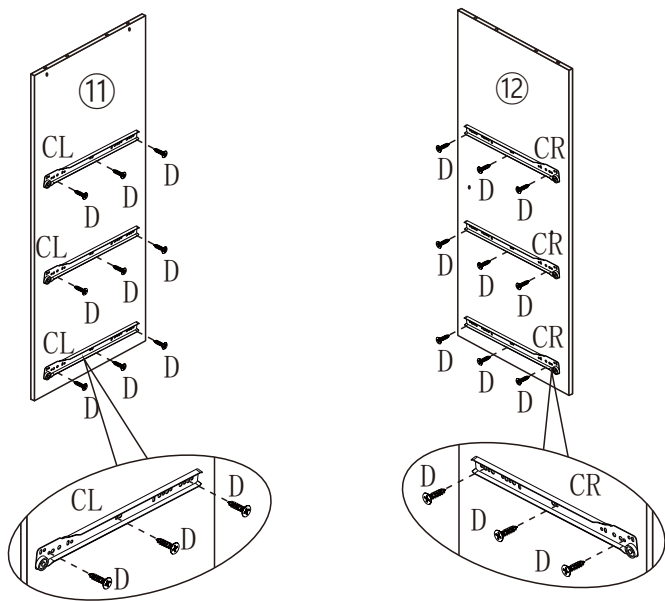
2



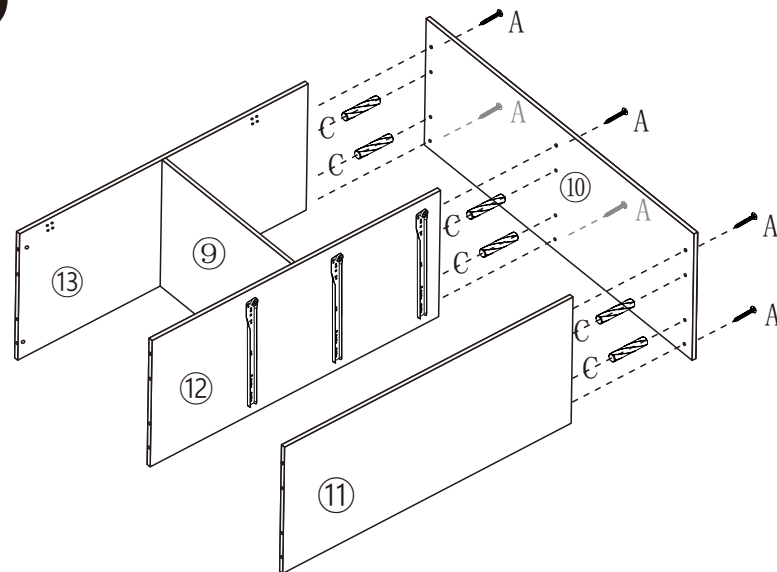
4



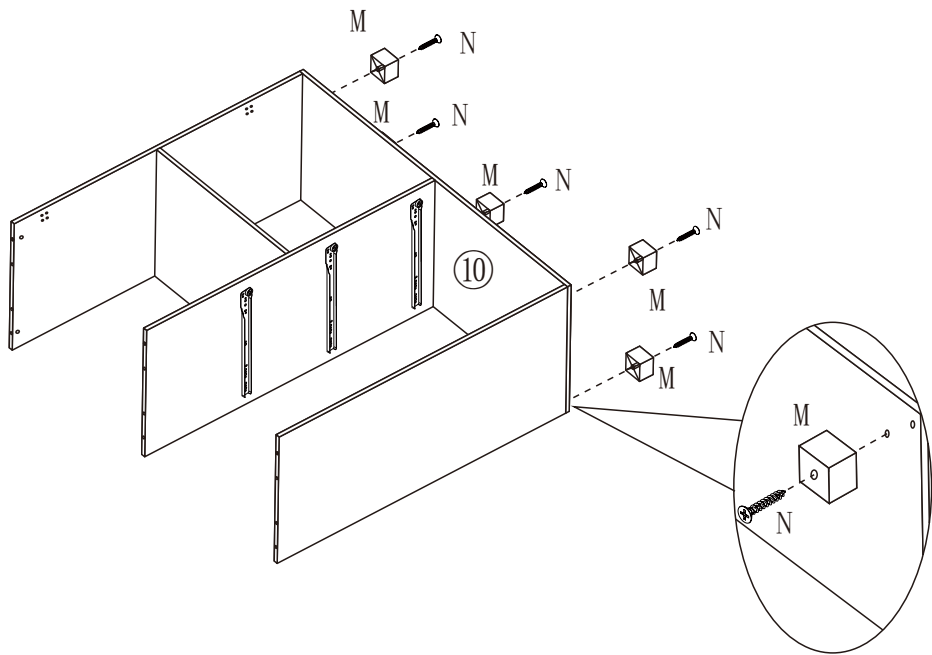
3



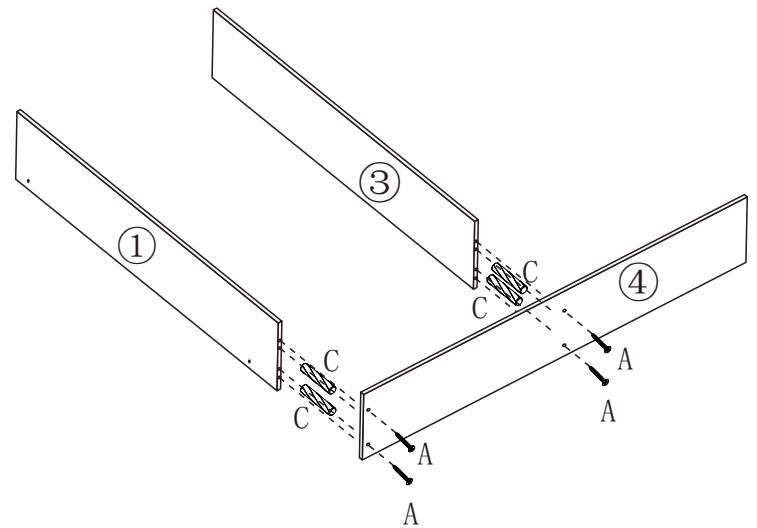
5



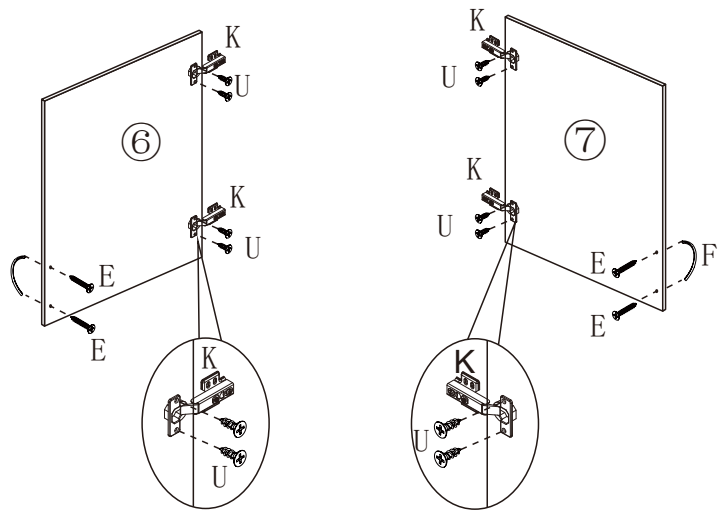
6



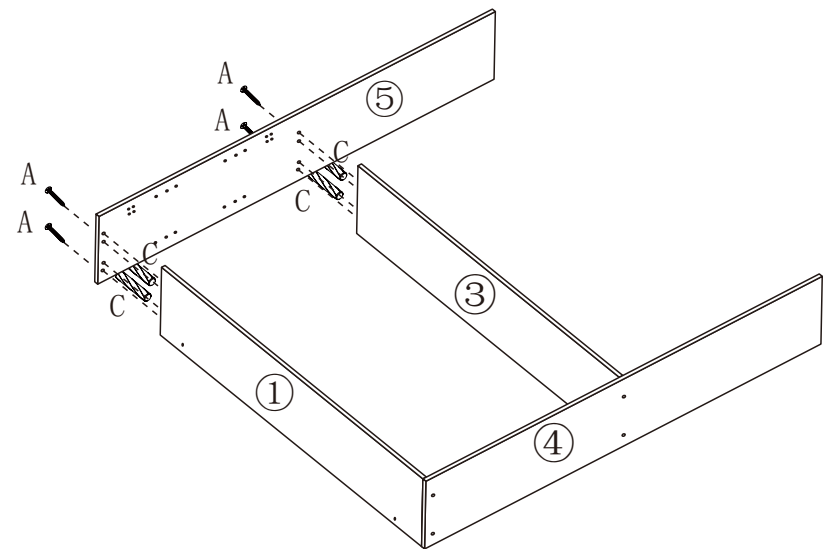
8



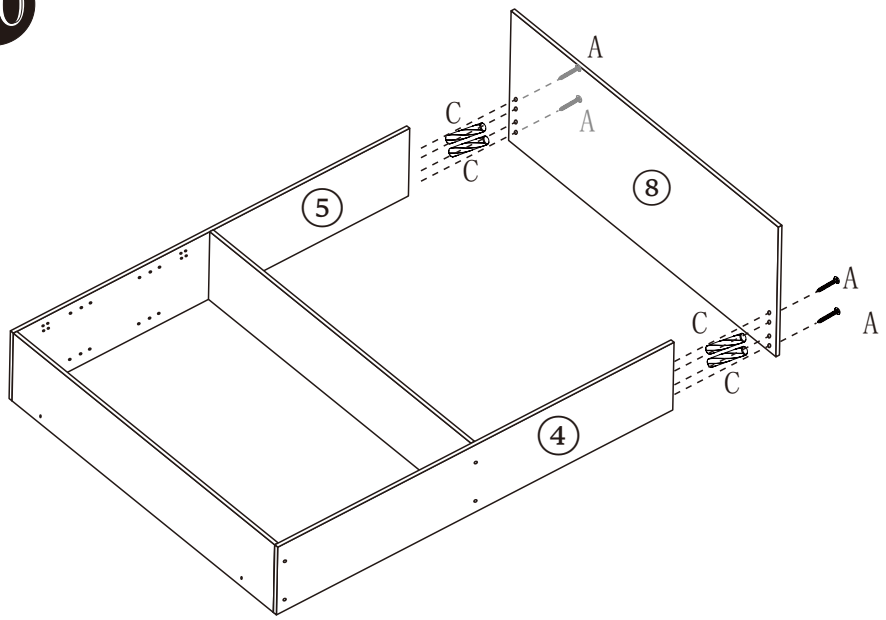
7



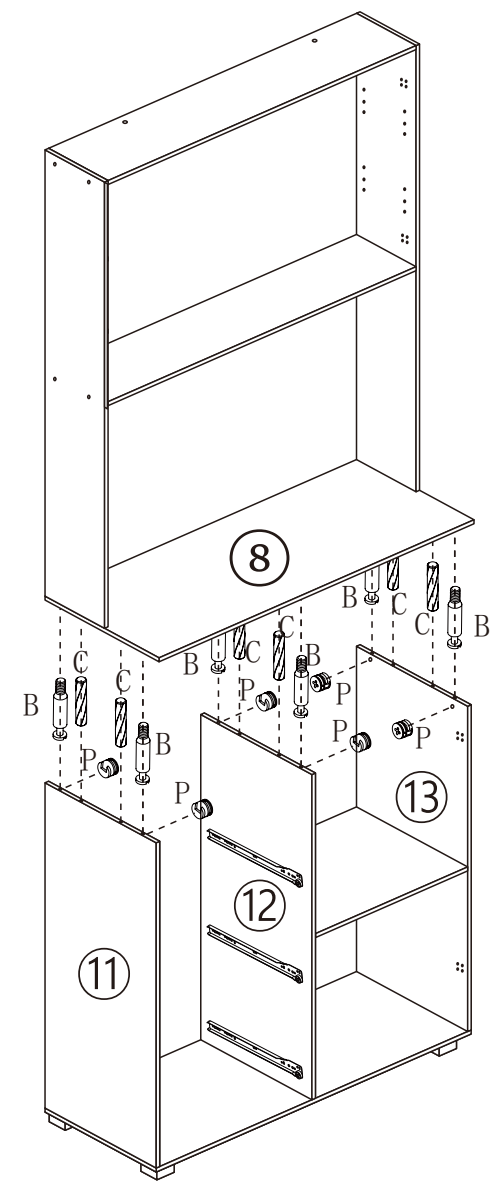
9



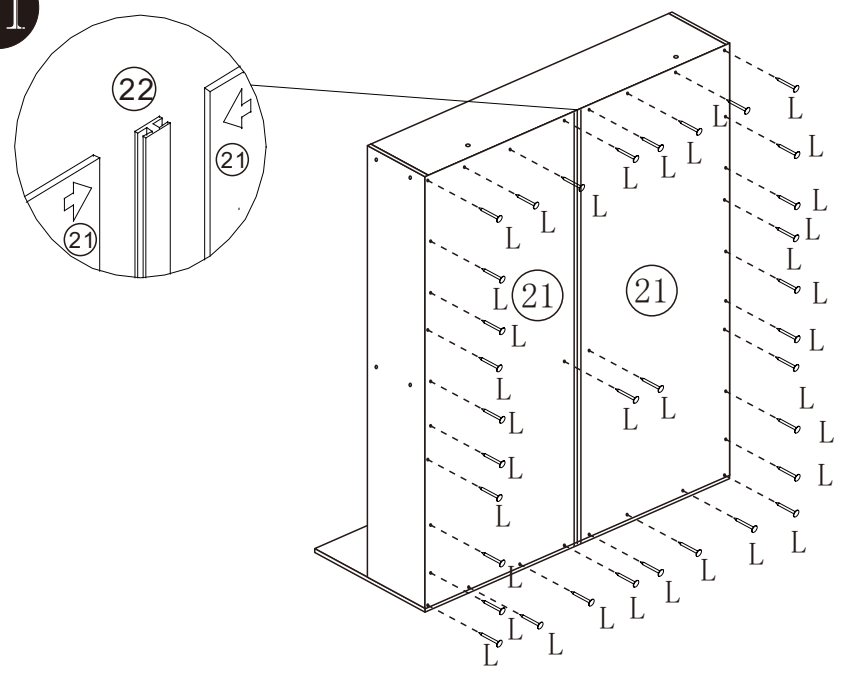
10



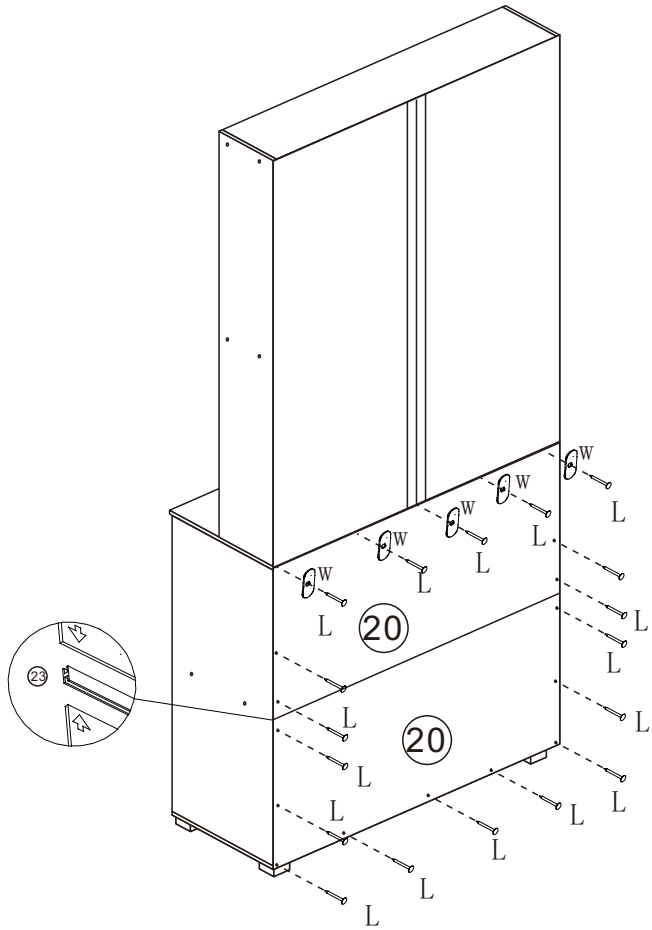
12



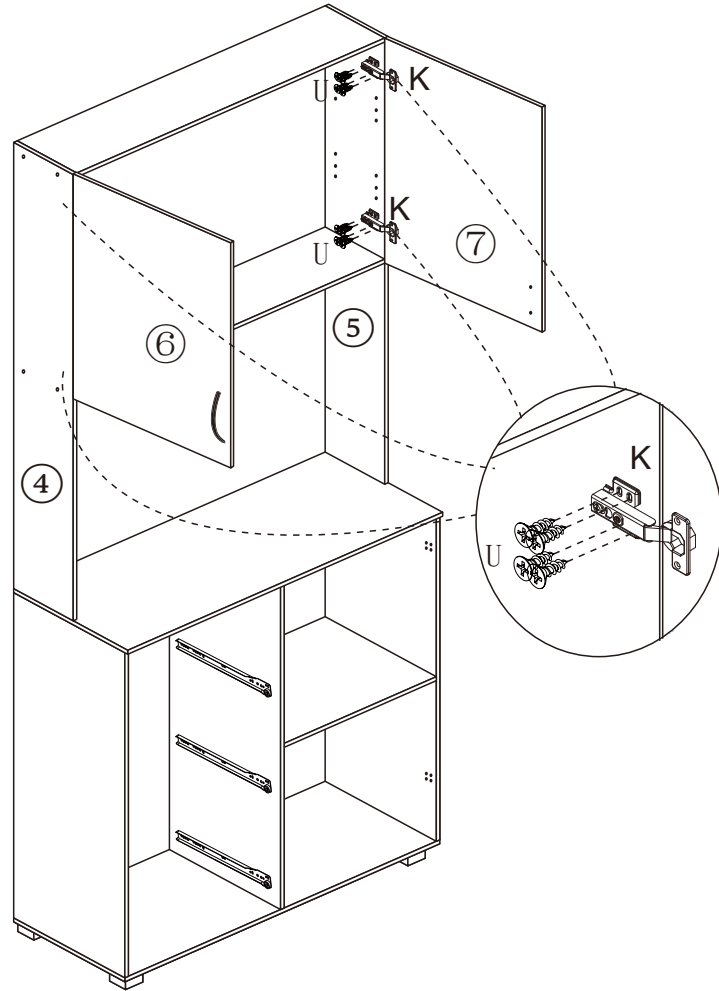
11



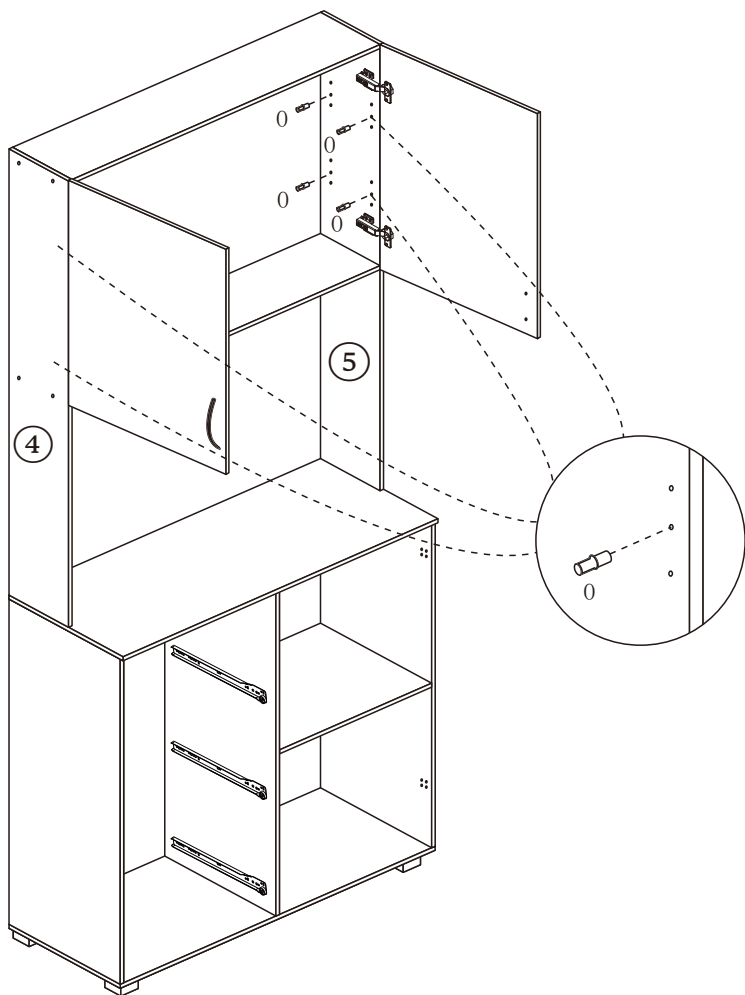
13



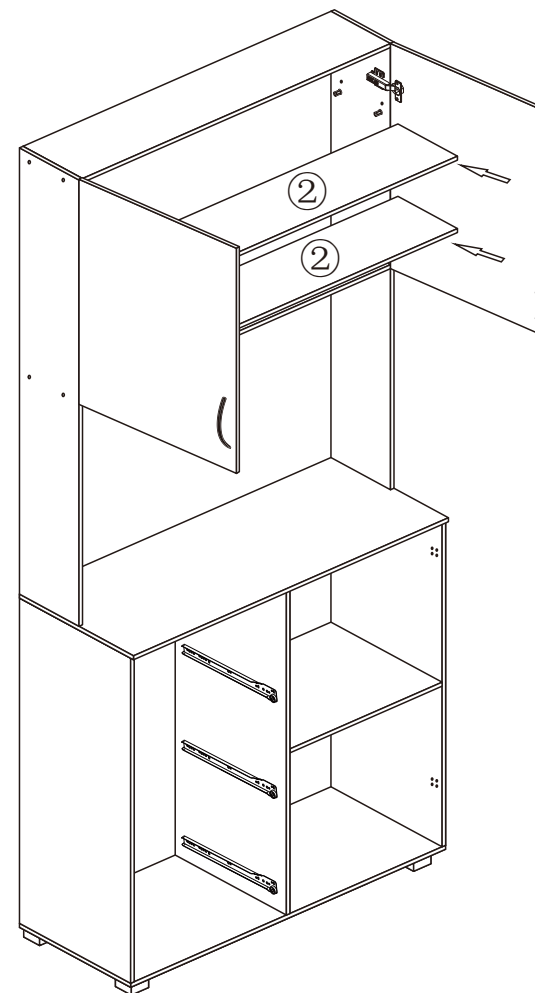
14



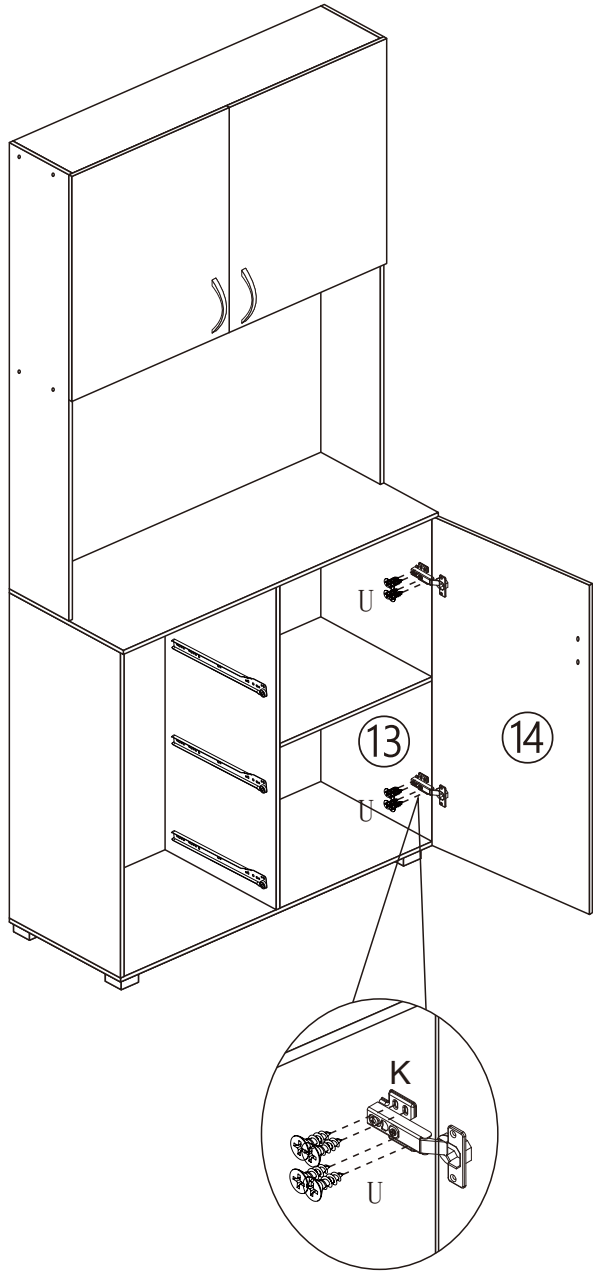
15



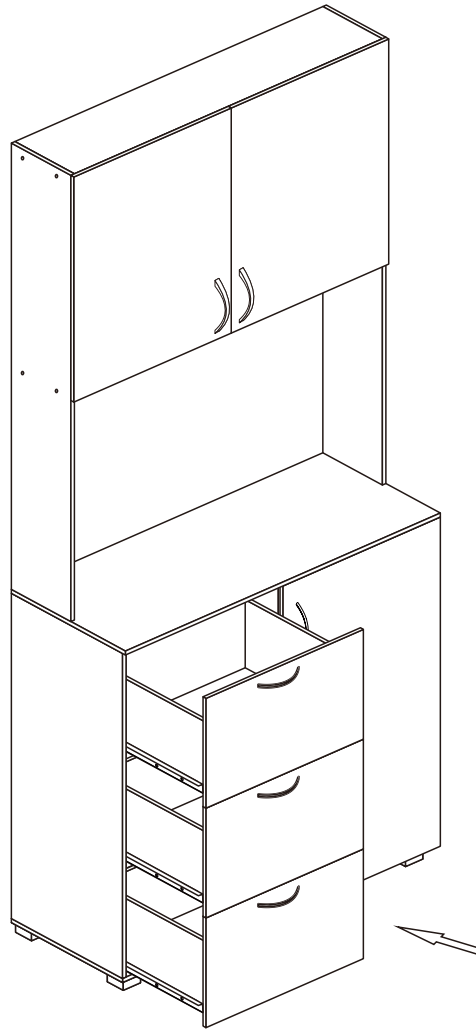
16



17



18



19

